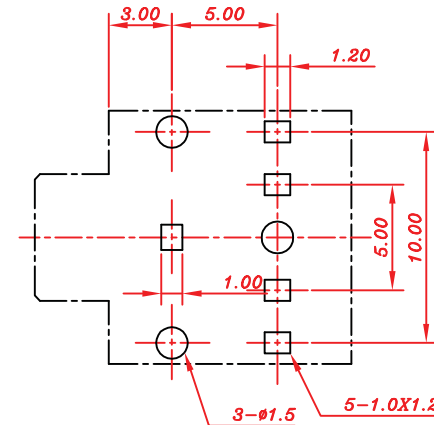
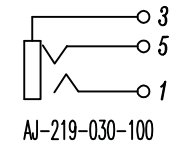
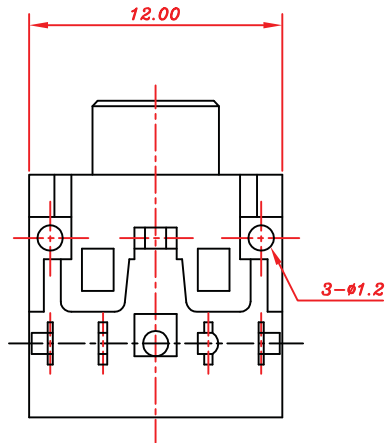
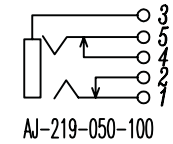
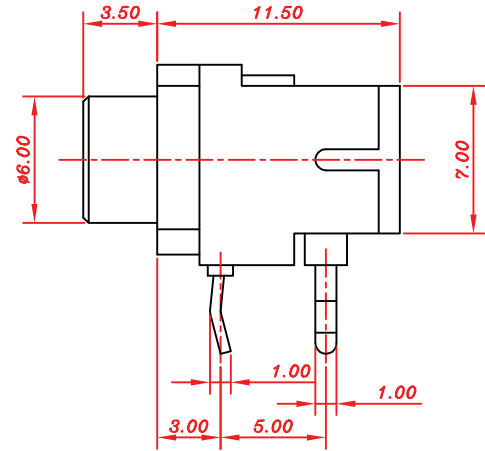
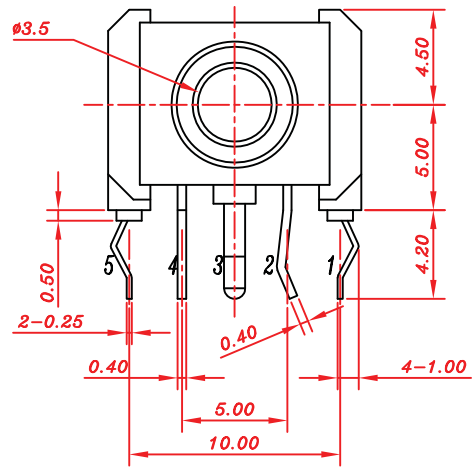


REVISIONS								
REV.	ECN NO.	LOCATION	DESCRIPTION	DATE	DESIGN	CHECKED	APPROVED	



P.C.B HOLE LAYOUT(BOTTOM VIEW)

7	HOUSING	HS-AJ2180-130	1	HIGH TEMP NYLON		BLACK
6	COVER	CV-AJ2180-110	1	HIGH TEMP NYLON		BLACK
5	TERMINAL E	TL-AJ2180DE-010	1	COPPER ALLOY	Ag Plated	
4	TERMINAL D	TL-AJ2180DD-010	1	COPPER ALLOY	Ag Plated	
3	TERMINAL C	TL-AJ2190DC-010	1	COPPER ALLOY	Ag Plated	
2	TERMINAL B	TL-AJ2180DB-020	1	COPPER ALLOY	Ag Plated	
1	TERMINAL A	TL-AJ2180DA-000	1	COPPER ALLOY	Ag Plated	
NO	PART NAME	PART NO	QTY	MATERIAL	FINISHING	REMARK

MEASURE POINT: ()
 QUADRANT POINT (QP)
 TANGENCY POINT (TP)
 INTERSECTION POINT (IP)

UNLESS OTHERWISE SPECIFIED, TOLERANCE:
 X.x ±0.25
 X.xx ±0.20
 X.xxx ±0.05
 ANGULAR ±2°

东莞市涪程电子科技有限公司

DESIGN Z.W	DATE 08/26/2008	TITLE:
CHECKED Z.W	DATE 08/26/2008	Ø3.5 AUDIO JACK-DIP
APPROVED	DATE	REV.: A
PART NO. AJ-219-050-100	SCALE: 1:1	UNIT: mm
DRAWING NO. AJ\219\	SHEET: 1/1	