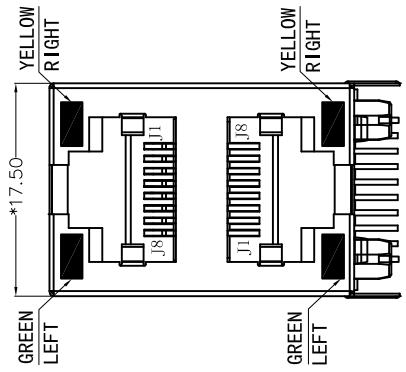
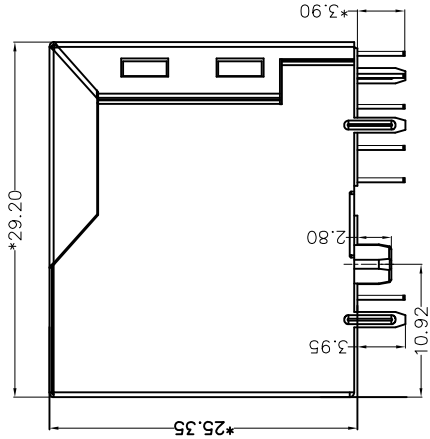


REACH & RoHS  
COMPLIANT

REV.	ECN / DESCRIPTION	BY	DATE
A0	NEW	MQ.Qu	2018.04.23



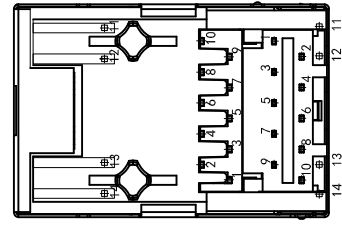
FRONT VIEW



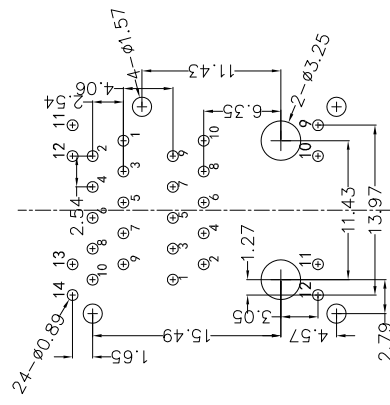
RIGHT SIDE VIEW

**MATERIAL:**  
HOUSING: PBT,UL94V-0,BLACK.  
TERMINALS BRACKET: PBT,UL94V-0,BLACK.  
SHIELD: C2680,T=0.20MM,NICKEL PLATING ON ALL AREA.  
TERMINAL: PHOSPHOR BRONZE C5210,T=0.35MM,  
6U" GOLD PLATING ON CONTACT AREA.


**MECHANICAL:**  
DURABILITY: 750 CYCLES MIN.  
MATING FORCE: 23N MAX.  
OPERATING TEMPERATURE: -40°C~+85°C.  
STORAGE TEMPERATURE: -40°C~+85°C.  
ALL CRITICAL DIMENSIONS WITH \*MM



BOTTOM VIEW

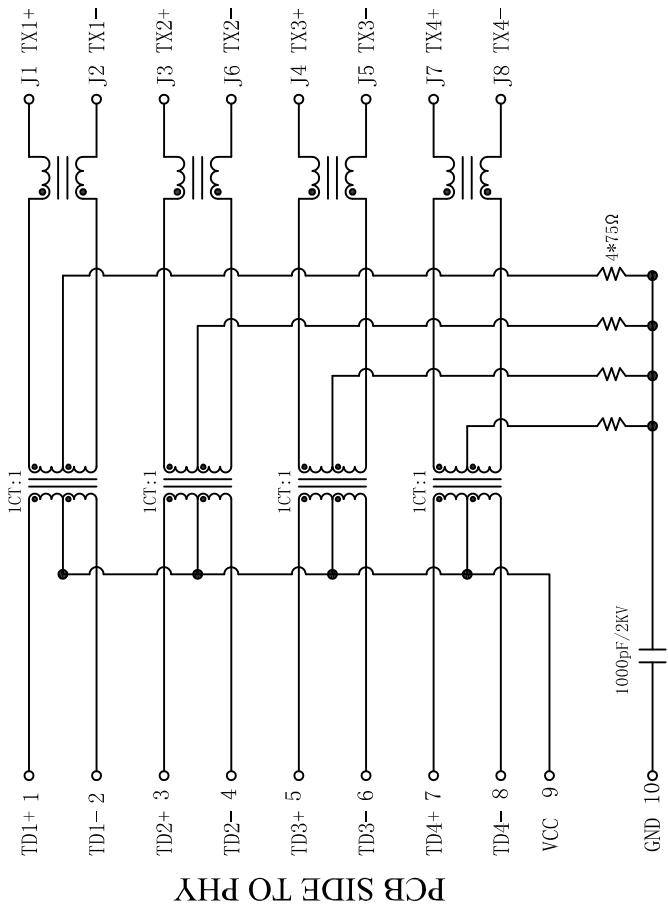


RECOMMENDED PCB LAYOUT  
VIEWED FROM COMPONENT SIDE

<b>TITLE:</b> RJ45 2X1 1000BASE		<b>UNITS</b> MM[INCH]	<b>GENERAL TOLERANCES</b> UNLESS SPECIFIED	<b>APPROVED BY:</b> JP.Gong
<b>PART NO.:</b> FC-2012GYNL		<b>SIZE</b> A4	<b>REV</b> A0	<b>CHECKED BY:</b> TW.Xu
<b>REMARK:</b>		<b>SACLE</b> 1:1	<b>SHEET</b> 1/3	<b>DESIGN BY:</b> MQ.Qu
 DONG GUAN FU CHENG ELECTRONIC TECHNOLOGY Co., LTD		<b>SIZE</b> A4	<b>SHEET</b> 1/3	
		<b>REVISION</b>	<b>DATE</b>	
		1	2	3
		4	5	6
		7	8	

**REACH & RoHS  
COMPLIANT**

REV.	ECN / DESCRIPTION	BY	DATE
A0	NEW	MQ.Qu	2018.04.23



**CABLE SIDE**

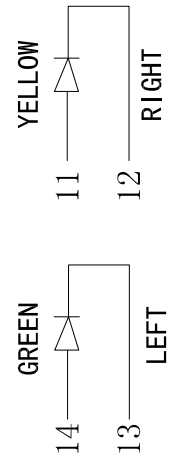
**PCB SIDE TO PHY**

**Electrical:**

- Turn ratio: 1~2:J1~J2=1CT:1CT(±2%).  
3~4:J3~J6=1CT:1CT(±2%).  
5~6:J4~J5=1CT:1CT(±2%).  
7~8:J7~J8=1CT:1CT(±2%).
- OCL:350uH Min.at 100KHz 100mV 8mA DC.
- Insertion Loss: -1.0 dB Max 1~100MHz.
- Return loss: -20dB Min 1~10MHz;  
-16dB Min 10~30MHz;  
-12dB Min 30~60MHz;  
-10dB Min 60~80MHz.
- Cross talk: -40dB Min 1~30MHz;  
-35dB Min 30~60MHz;  
-30dB Min 60~100MHz;
- CMR: -35dB Min 1~100MHz;
- Hi-Pot:1500V AC & 2250V DC  
6S 1mA PRI TO SEC

**LED Specification**

Standard LED Color	LED Wavelength	Forward(A)	Forward(V)
Green	568nm	20mA	1.85-2.45V
Yellow	585nm	20mA	1.7-2.2V

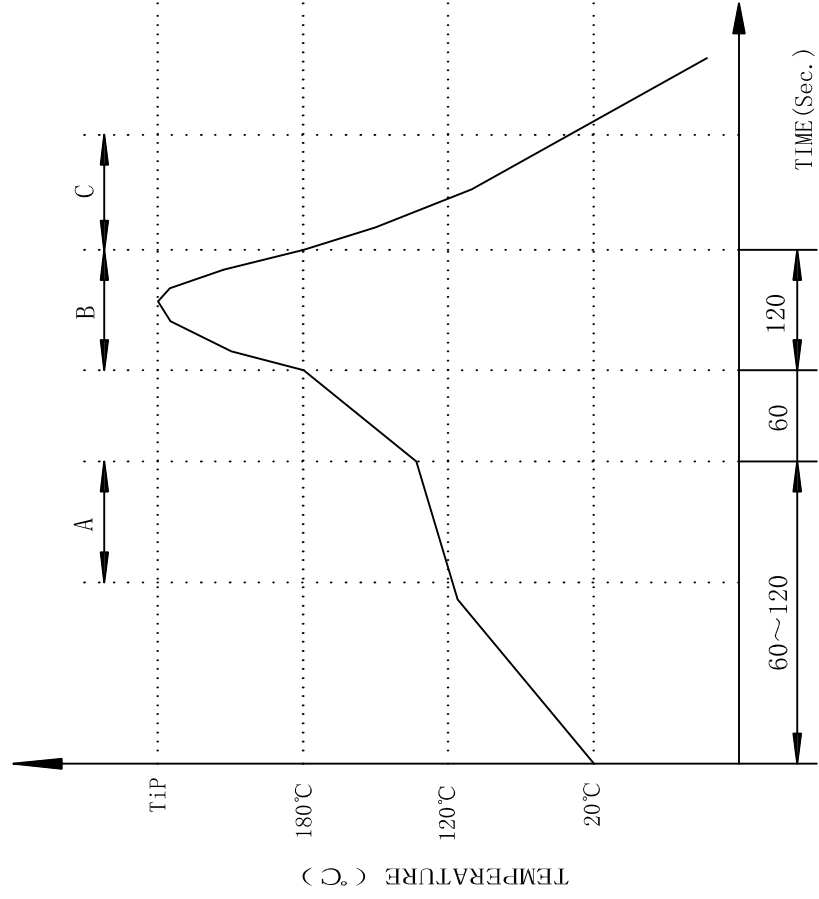


<b>TITLE:</b> RJ45 2X1 100BASE		<b>SIZE</b> A4	<b>UNITS</b> MM[INCH]	<b>GENERAL TOLERANCES</b> UNLESS SPECIFIED	<b>APPROVED BY:</b> JP.Gong				
<b>PART NO.:</b> FC-2012GYNL		<b>SACLE</b> 1:1	<b>REV</b> A0	x±0.35 .x°±3.0°	<b>CHECKED BY:</b> TW.Xu				
<b>REMARK:</b>		<b>SHEET</b> 2/3		.xx±0.25 .xxx±1.0°	<b>DESIGN BY:</b> MQ.Qu				
<p><b>东莞市浚程电子科技有限公司</b> DONG GUAN FU CHENG ELECTRONIC TECHNOLOGY Co., LTD</p>		1	2	3	4	5	6	7	8

REACH & RoHS COMPLIANT

REV.	ECN / DESCRIPTION	BY	DATE
A0	NEW	MQ.Qu	2018.04.23

# PROFILE OF WAVE SOLDER



A.Preheating B.Soldering C.Gradual Cooling  
 Tip temperature:260±5°C.  
 Tip temperature time:5Sec Max.  
 Tip melting point of Sn96.5/Ag3/Cu0.5:217°C.

Remarks: after wave soldering, the plastic positioning columns of the product which under the PCB will be slightly melted, but it won't affect its function.

TITLE: RJ45 2X1 100BASE PART NO.: FC-2012GYNL REMARK: 3/3	SIZE	A4	UNITS	MM[INCH]	GENERAL TOLERANCES	UNLESS SPECIFIED	APPROVED BY:	JP.Gong
	SACLE	1:1	REV	A0	x±0.35	x°±3.0°	CHECKED BY:	TW.Xu
	SHEET	3/3			.x±0.30	.x°±2.0°	DESIGN BY:	MQ.Qu

东莞市浚程电子科技有限公司  
 DONG GUAN FU CHENG ELECTRONIC TECHNOLOGY Co., LTD