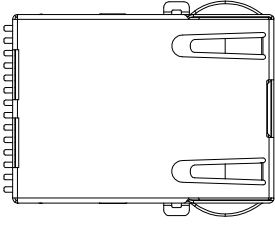
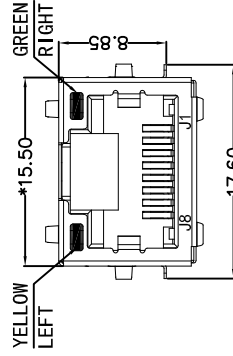


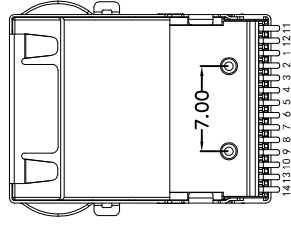
REACH & RoHS
COMPLIANT



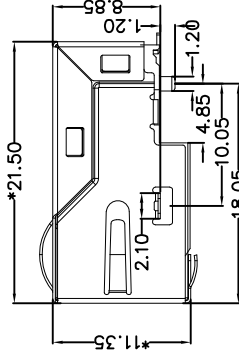
TOP VIEW



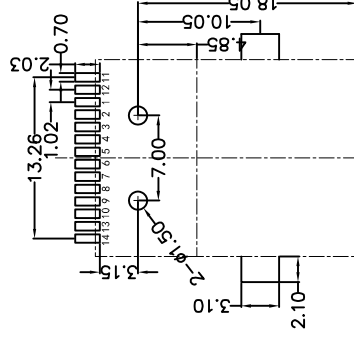
FRONT VIEW



BOTTOM VIEW



RIGHT SIDE VIEW



RECOMMENDED PCB LAYOUT
VIEWED FROM COMPONENT SIDE

MATERIAL:
HOUSING: LCP,UL94V-0,BLACK.
TERMINALS BRACKET: LCP,UL94V-0,BLACK.
SHIELD: C2680,T=0.20MM,NICKEL PLATING ON ALL AREA.
TERMINAL: PHOSPHOR BRONZE C5210,T=0.35MM,
6U" GOLD PLATING ON CONTACT AREA.

MECHANICAL:
DURABILITY: 750 CYCLES MIN.
MATING FORCE: 23N MAX.
OPERATING TEMPERATURE: -40°C~+85°C.
STORAGE TEMPERATURE: -40°C~+85°C.
ALL CRITICAL DIMENSIONS WITH "±"

REV.	ECN / DESCRIPTION	BY	DATE
A0	NEW	MQ.Qu	2018.05.18



东莞市浚程电子科技有限公司

DONG GUAN FU CHENG ELECTRONIC TECHNOLOGY Co., LTD

TITLE:

TAB-UP 1X1 1000BASE 贴片

PART NO:
FC-CB329YGZNL

REMARK:

GENERAL TOLERANCES
UNLESS SPECIFIED

x±0.35

.x°±3.0°

.x±0.30

.x°±2.0°

.xx±0.25

.xx°±1.5°

.xxx±0.10

.xxx°±1.0°

UNITS
MM[INCH]

REV
A0



SIZE
A4

SACLE
1:1

SHEET
1/3

GENERAL TOLERANCES
UNLESS SPECIFIED

x±0.35

.x°±3.0°

.x±0.30

.xx±0.25

.xxx±0.10

APPROVED BY:

JP.Gong

CHECKED BY:

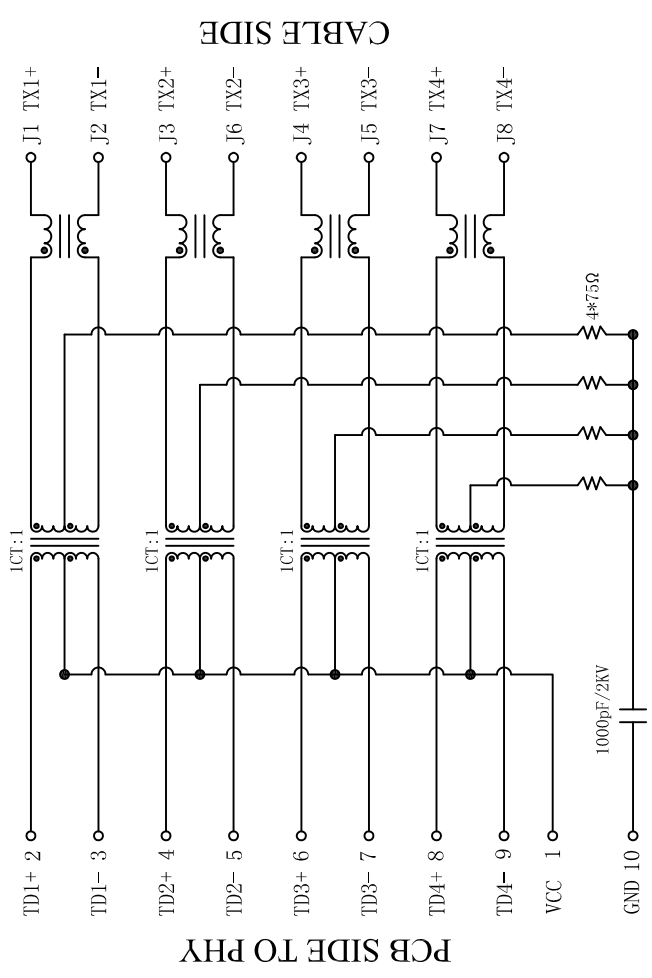
TW.Xu

DESIGN BY:

MQ.Qu

REACH & RoHS
COMPLIANT

REV.	ECN / DESCRIPTION	BY	DATE
A0	NEW	MQ.Qu	2018.05.18



PCB SIDE TO PHY

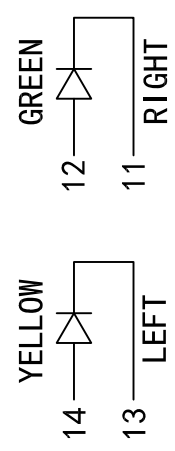
CABLE SIDE

Electrical:

- Turn ratio: 2~3: J1~J2=1CT:1CT(±2%).
4~5: J3~J6=1CT:1CT(±2%).
6~7: J1~J2=1CT:1CT(±2%).
8~9: J3~J6=1CT:1CT(±2%).
- OCL: 350uH Min. at 100KHz 100mV 8mA DC.
- Insertion Loss: -1.0 dB Max 1~100MHz.
- Return loss: -20dB Min 1~10MHz;
-16dB Min 10~30MHz.
-12dB Min 30~60MHz.
-10dB Min 60~80MHz.
- Cross talk: -40dB Min 1~30MHz;
-35dB Min 30~60MHz;
-30dB Min 60~100MHz;
- CMR: -35dB Min 1~100MHz;
- Hi-Pot: 1500V AC & 2250V DC
6S 1mA PRI TO SEC

LED Specification

Standard LED Color	LED Wavelength	Forward(A)	Forward(V)
Green	568nm	20mA	1.85-2.45V
Yellow	585nm	20mA	1.7-2.2V

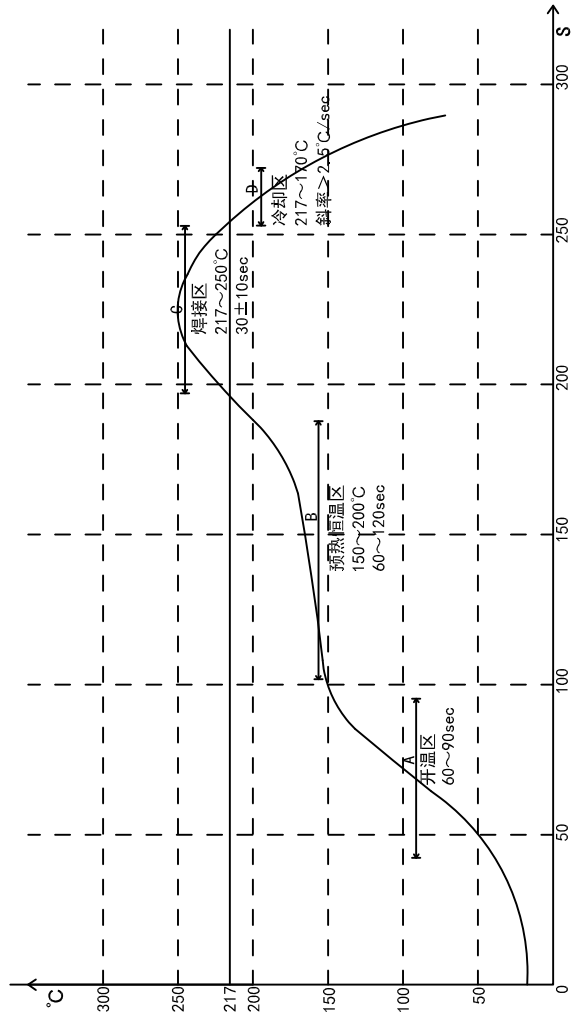


<p>TITLE: TAB-UP 1X1 1000BASE 贴片</p>		<p>UNITS MM[INCH]</p>	<p>GENERAL TOLERANCES UNLESS SPECIFIED</p>	<p>APPROVED BY: JP.Gong</p>
<p>SIZE A4</p>	<p>REV A0</p>	<p>SACLE 1:1</p>	<p>UNLESS SPECIFIED x°±3.0° .x°±2.0°</p>	<p>CHECKED BY: TW.Xu</p>
<p>SHEET 2/3</p>		<p>SHEET 2/3</p>	<p>.xx°±1.5° .xxx°±1.0°</p>	<p>DESIGN BY: MQ.Qu</p>

东莞市涪程电子科技有限公司
DONG GUAN FU CHENG ELECTRONIC TECHNOLOGY Co., LTD

REV.	ECN / DESCRIPTION	BY	DATE
A0	NEW	MQ.Qu	2018.05.18

PROFILE OF REFLOW SOLDERING



TITLE: TAB-UP 1X1 1000BASE 贴片		SIZE A4	UNITS MM[INCH]	GENERAL TOLERANCES UNLESS SPECIFIED	APPROVED BY: JP.Gong
PART NO.: FC-CB329YGZNL		SACLE 1:1	REV A0	CHECKED BY: TW.Xu	DESIGN BY: MQ.Qu
REMARK:		SHEET 3/3		.XX±0.25 .XXX±1.0°	

东莞市浚程电子科技有限公司
 DONG GUAN FU CHENG ELECTRONIC TECHNOLOGY Co., LTD