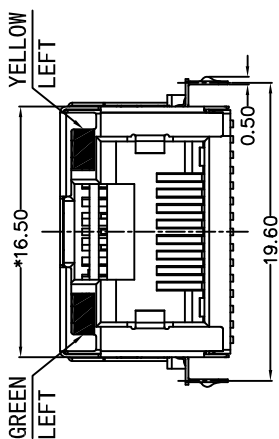
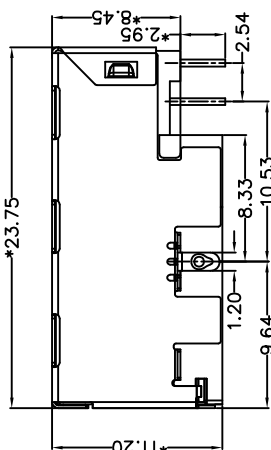


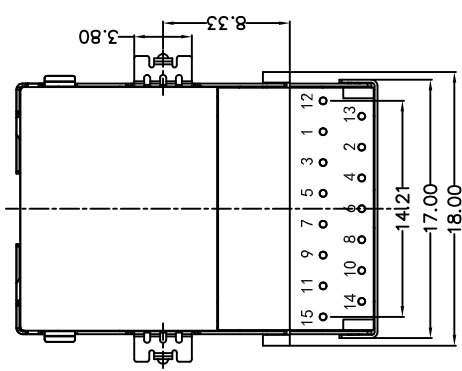
REV.	ECN / DESCRIPTION	BY	DATE
A0	NEW	MQ.Qu	2018.05.02



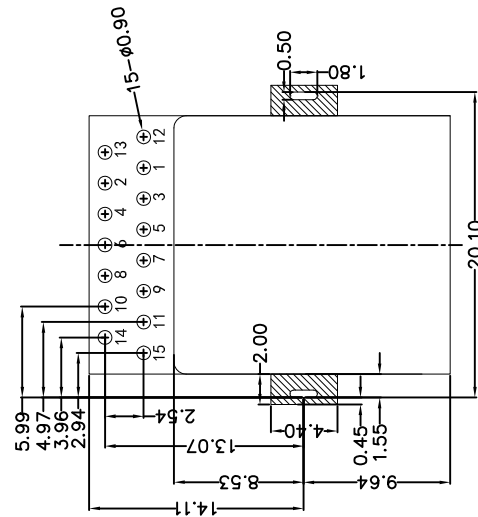
FRONT VIEW



RIGHT SIDE VIEW



BOTTOM VIEW



RECOMMENDED PCB LAYOUT  
VIEWED FROM COMPONENT SIDE

**MATERIAL:**  
HOUSING: LCP,UL94V-0,BLACK.  
TERMINALS BRACKET: LCP,UL94V-0,BLACK.  
SHIELD: C2680,T=0.20MM,NICKEL PLATING ON ALL AREA.  
TERMINAL: PHOSPHOR BRONZE ,T=0.35MM,  
6U" GOLD PLATING ON CONTACT AREA.

**MECHANICAL:**  
DURABILITY: 750 CYCLES MIN.  
MATING FORCE: 23N MAX.  
OPERATING TEMPERATURE: -40°C~+85°C.  
STORAGE TEMPERATURE: -40°C~+85°C.  
ALL CRITICAL DIMENSIONS WITH "\*\*"

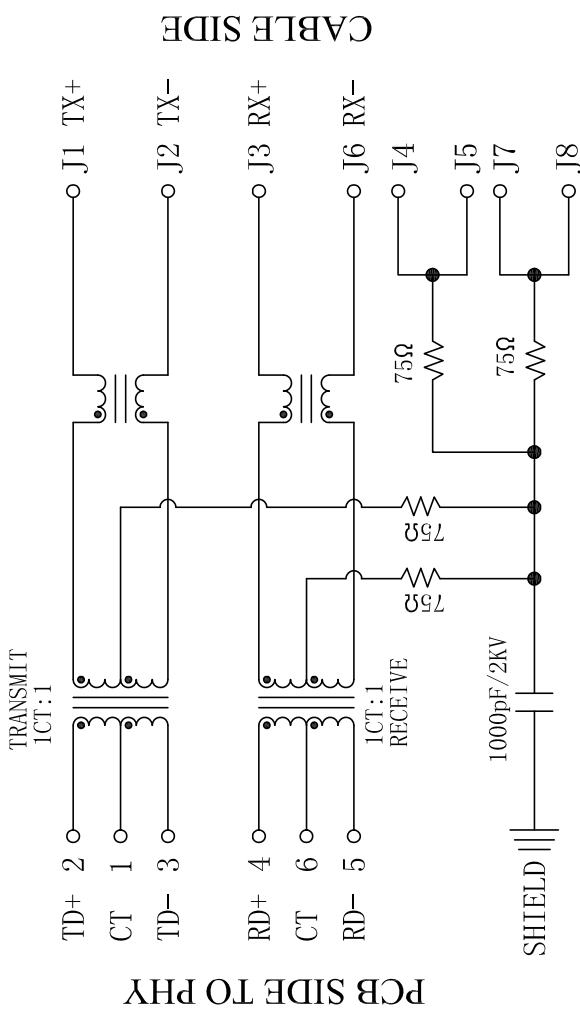
**REACH & RoHS COMPLIANT**

**FC** 东莞市浚程电子科技有限公司  
DONG GUAN FU CHENG ELECTRONIC TECHNOLOGY Co., LTD

<b>TITLE:</b> TAB-UP 1X1 100BASE	<b>SIZE</b> A4	<b>UNITS</b> MM[INCH]	<b>GENERAL TOLERANCES UNLESS SPECIFIED</b>	<b>APPROVED BY:</b> JP.Gong
<b>PART NO.:</b> FC-CB09NL	<b>SACLE</b> 1:1	<b>REV</b> A0	x±0.35 .x°±3.0°	<b>CHECKED BY:</b> TW.Xu
<b>REMARK:</b>	<b>SHEET</b> 1/3		.x±0.30 .x°±2.0°	<b>DESIGN BY:</b> MQ.Qu
			.xx±0.25 .xxx±1.5°	
			.xxx±0.10 .xxx°±1.0°	

REACH & RoHS COMPLIANT

REV.	ECN / DESCRIPTION	BY	DATE
A0	NEW	MQ.Qu	2018.05.02

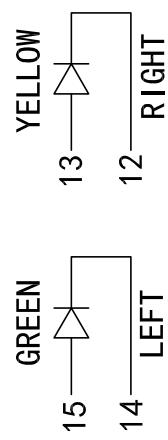


**Electrical:**

1. Turn ratio: 2~3: J1~J2=1CT:1CT(±2%), 4~5: J3~J6=1CT:1CT(±2%).
2. OCL: 350uH Min. at 100KHz 100mV 8mA DC.
3. Insertion Loss: -1.0 dB Max 1~100MHz.
4. Return loss: -20dB Min 1~10MHz; -16dB Min 10~30MHz; -12dB Min 30~60MHz; -10dB Min 60~80MHz.
5. Cross talk: -40dB Min 1~30MHz; -35dB Min 30~60MHz; -30dB Min 60~100MHz;
6. CMR: -35dB Min 1~100MHz;
7. Hi-Pot: 1500V AC & 2250V DC  
6S 1mA PRI TO SEC

**LED Specification**

Standard LED Color	LED Wavelength	Forward(A)	Forward(V)
Green	568nm	20mA	1.85-2.45V
Yellow	585nm	20mA	1.7-2.2V



TITLE: TAB-UP 1X1 100BASE		SIZE A4	UNITS MM[INCH]	GENERAL TOLERANCES UNLESS SPECIFIED		APPROVED BY: JP.Gong
PART NO.: FC-CB009NL		SACLE 1:1	REV A0	x±0.35 .x±0.30		CHECKED BY: TW.Xu
REMARK:		SHEET 2/3		.xx±1.5° .xxx±1.0°		DESIGN BY: MQ.Qu

东莞市浚程电子科技有限公司  
DONG GUAN FU CHENG ELECTRONIC TECHNOLOGY Co., LTD

