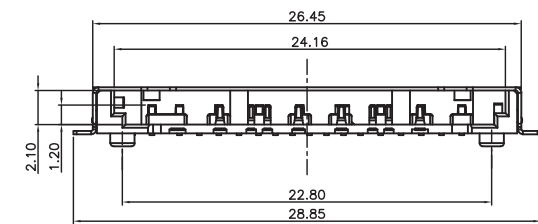
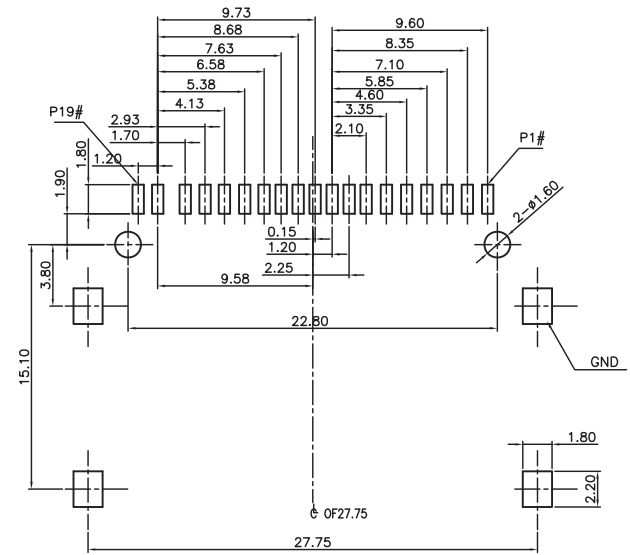
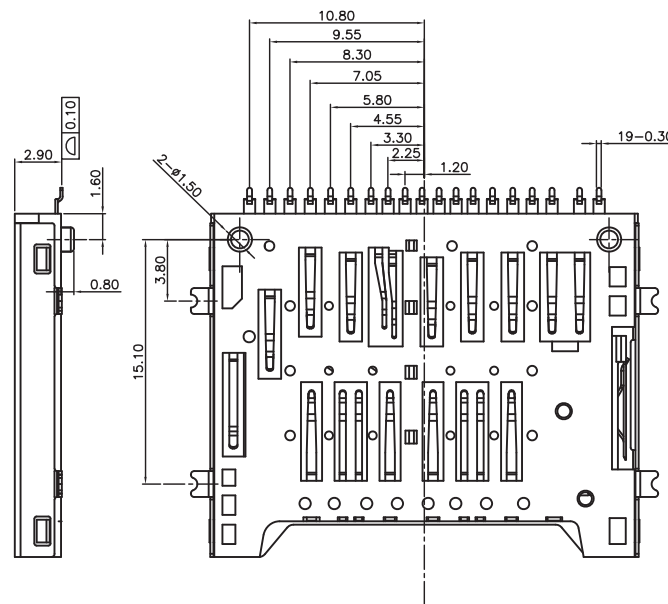
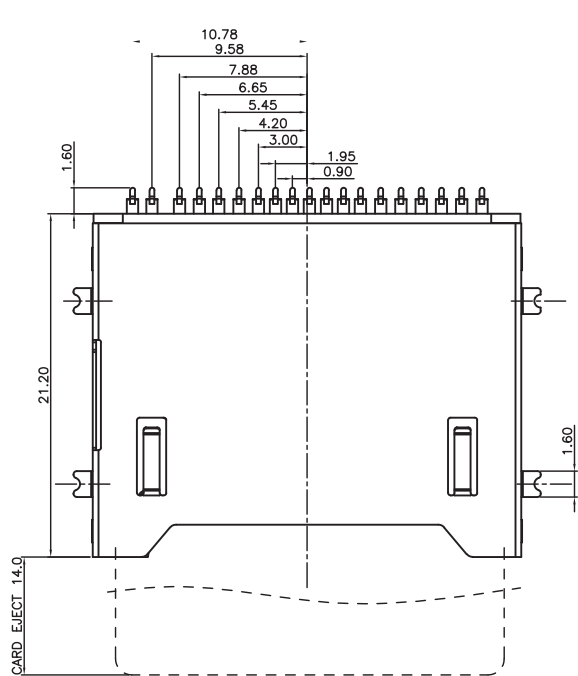




REV.	ECN.NO.	MODIFY.CONTENT	DATE
		NEW DRAWING	



PIN DEFINE:

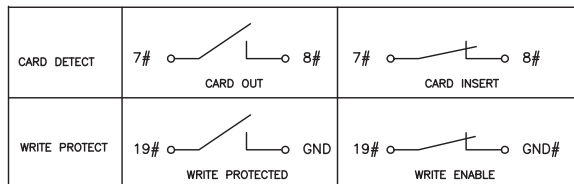
PIN#	NAME	DESCRIPTION	PIN#	NAME	DESCRIPTION
1	VSS3	GROUND	11	VDD1	SUPPLY VOLTAGE
2	DAT2	DATA LINE BIT2	12	D1-	DIFFERENTIAL DATE 1-
3	D0+	DIFFERENTIAL DATE 0+	13	CLK	CLOCK
4	CD/DAT3	CARD DETECT/DATA LINE BIT3	14	D1+	DIFFERENTIAL DATE 1+
5	D0-	DIFFERENTIAL DATE 0-	15	VSS2	SUPPLY VOLTAGE GROUND
6	CMD	COMMAND/RESPONSE	16	VSS5	GROUND
7	CD	CARD DETECT	17	DAT0	DATA LINE BIT0
8	VSS1	SUPPLY VOLTAGE GROUND	18	DAT1	DATA LINE BIT1
9	VSS4	GROUND	19	WP	WRITE PROTECT
10	VDD2	SUPPLY VOLTAGE(1.8V)			

RECOMMEENDER PCB LAYOUT

TOLERANCE UNLESS OTHERWISE IS ±0.05

Notes:

- 1.All Dimensions are in Millimeters.
- 2.Operation voltage: 10 VAC max.
- 3.Current rating : 1 Amps max.
- 4.Contact resistance: 100m ohms max.
- 5.Insulation resistance: 1000M ohms min. 500 VDC
- 6.Dielectric withstanding voltage: 500 VAC / 1minute
- 7.Operating Temperature: -20°C to +60°C
- 8.Storage Temperature: -40°C to +70°C
- 9.Durability 10000 cycles.



GENERAL TOLERANCE	DWG.NO.	PART.NO.	DRAWN	MATERIAL	SCALE
X.±0.35	REV.	TITLE	CHECKED	DATE	UNITS
.X±0.30	SIZE	SHEET	APPROVED	MM	
.XX±0.25	A4	东莞市涪程电子科技有限公司			