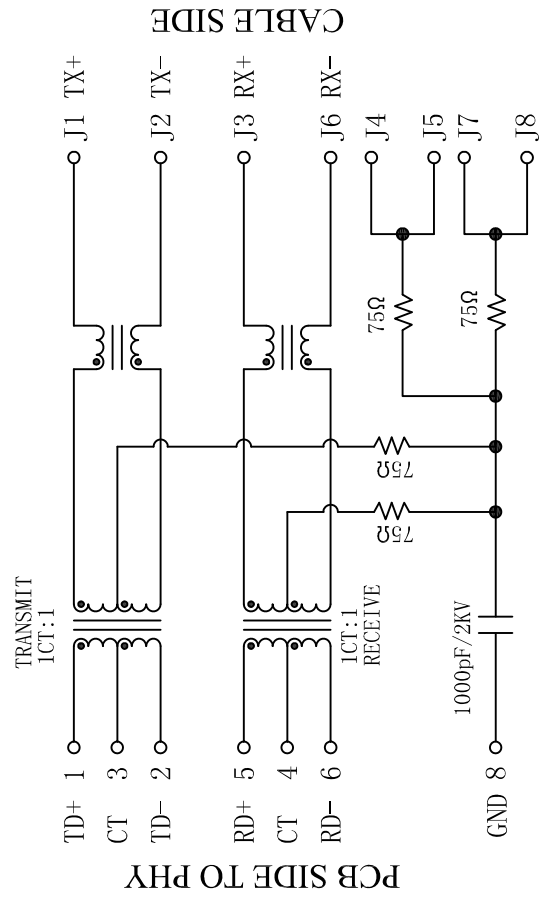




REACH & RoHS COMPLIANT

REV.	ECN / DESCRIPTION	BY	DATE
A0	NEW	MQ.Qu	2017.11.20

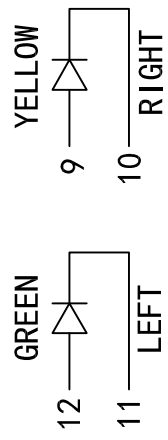


**Electrical:**

1. Turn ratio: 1~2: J1~J2=1CT:1CT(±2%).  
5~6: J3~J6=1CT:1CT(±2%).
2. OCL: 350uH Min. at 100KHz 100mV 8mA DC.
3. Insertion Loss: -1.0 dB Max 1~100MHz.
4. Return loss: -20dB Min 1~10MHz;  
-16dB Min 10~30MHz;  
-12dB Min 30~60MHz;  
-10dB Min 60~80MHz.
5. Cross talk: -40dB Min 1~30MHz;  
-35dB Min 30~60MHz;  
-30dB Min 60~100MHz;
6. CMR: -35dB Min 1~100MHz;
7. Hi-Pot: 1500V AC & 2250V DC  
6S 1mA PRI TO SEC

**LED Specification**

Standard LED Color	LED Wavelength	Forward(A)	Forward(V)
Green	568nm	20mA	1.8~2.8V
Yellow	585nm	20mA	1.8~2.8V



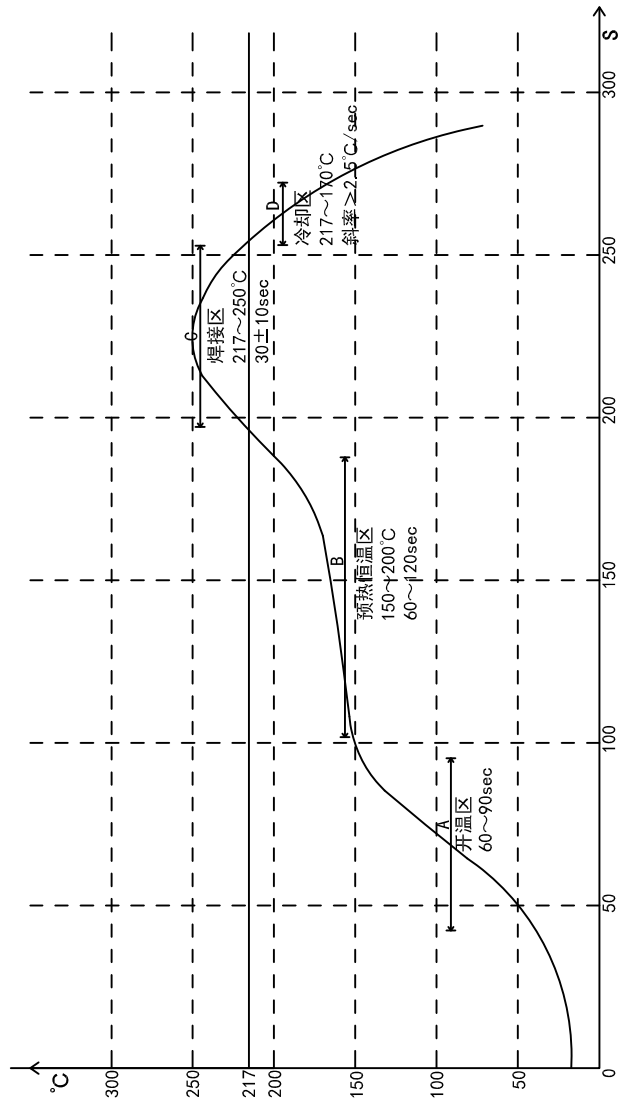
TITLE: TAB-UP 1X1 100BASE 贴片		SIZE A4	UNITS MM[INCH]	GENERAL TOLERANCES UNLESS SPECIFIED	APPROVED BY: JP.Gong
PART NO.: FC-SM002NL		SACLE 1:1	REV A0	x±0.35 .x°±3.0°	CHECKED BY: TW.Xu
REMARK:		SHEET 2/3		.xx±0.25 .xxx°±1.0°	DESIGN BY: MQ.Qu

东莞市浔程电子科技有限公司  
DONG GUAN FU CHENG ELECTRONIC TECHNOLOGY Co., LTD

REACH & RoHS  
COMPLIANT

REV.	ECN / DESCRIPTION	BY	DATE
A0	NEW	MQ.Qu	2017.11.20

# PROFILE OF REFLOW SOLDERING



- A. Temperature range of open
  - B. Preheat temperature zone
  - C. The welding zone
  - D. The cooling zone
- Tip temperature: 265±5°C.  
 Tip temperature time: 30±10Sec.  
 Tip melting point of Sn96.5/Ag3/Cu0.5.

<b>TITLE:</b> TAB-UP 1X1 100BASE 贴片		UNITS	GENERAL TOLERANCES	APPROVED BY:
<b>PART NO.:</b> FC-SM002NL		MM[INCH]	UNLESS SPECIFIED	JP.Gong
<b>REMARK:</b>		REV	x±0.35	CHECKED BY:
		A0	.x°±3.0°	TW.Xu
			.xx±0.30	DESIGN BY:
			.xx±1.5°	MQ.Qu
		3/3	.xxx±0.10	
		1 2 3 4 5 6 7 8		

东莞市涪程电子科技有限公司  
 DONG GUAN FU CHENG ELECTRONIC TECHNOLOGY Co., LTD