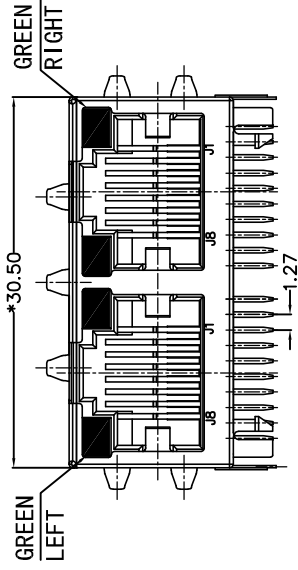
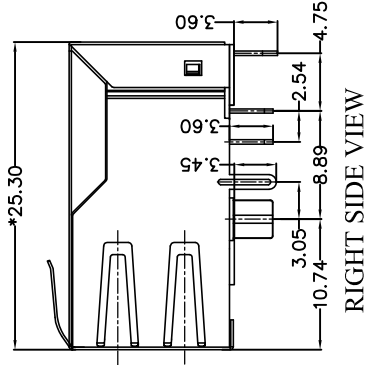


REACH & RoHS COMPLIANT

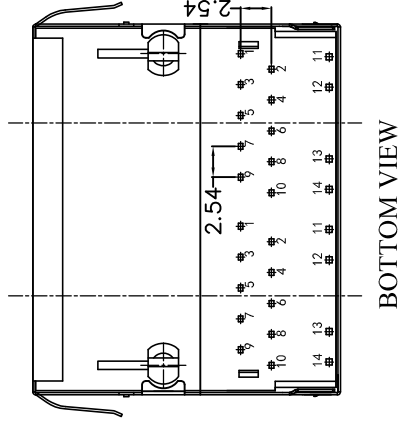
REV.	ECN / DESCRIPTION	BY	DATE
A0	NEW	MQ.Qu	2018.05.30



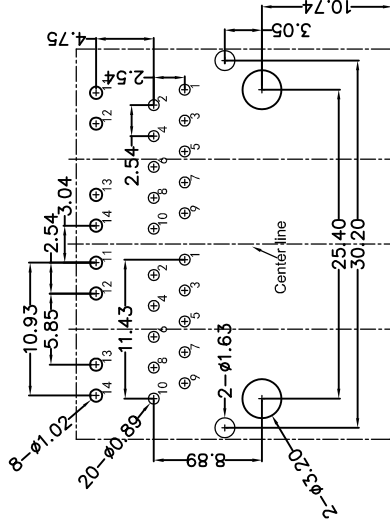
FRONT VIEW



RIGHT SIDE VIEW



BOTTOM VIEW



MATERIAL:
 HOUSING: PBT,UL94V-0,BLACK.
 TERMINALS BRACKET: PBT,UL94V-0,BLACK.
 SHIELD: C2680,T=0.20MM,NICKEL PLATING ON ALL AREA.
 TERMINAL: PHOSPHOR BRONZE C5210,T=0.35MM,
 6U" GOLD PLATING ON CONTACT AREA.

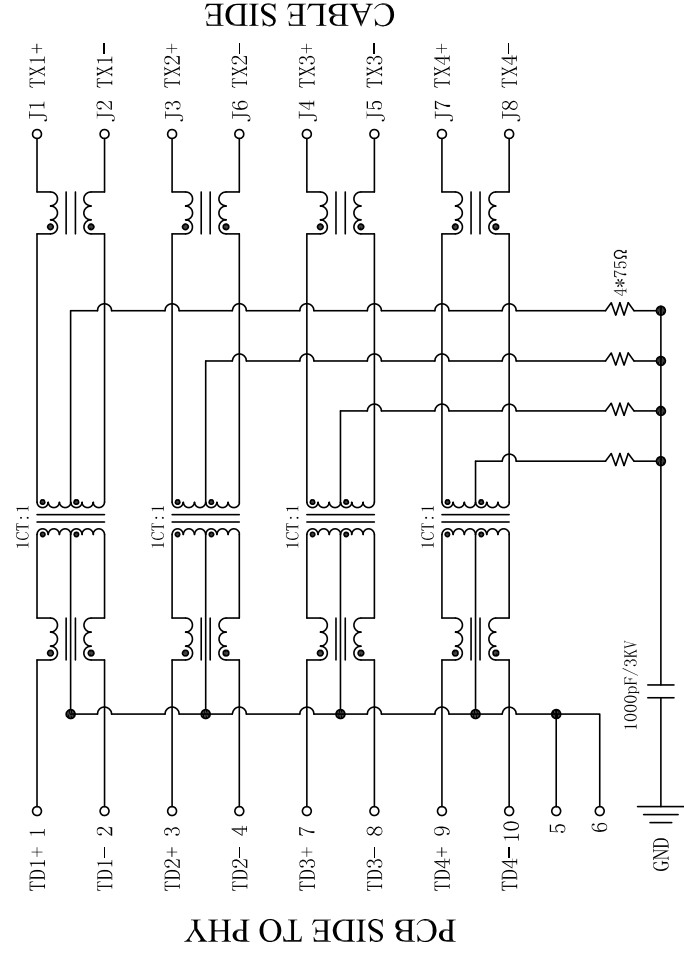
MECHANICAL:
 DURABILITY: 750 CYCLES MIN.
 MATING FORCE: 30N MAX.
 OPERATING TEMPERATURE: -40°C~+85°C.
 STORAGE TEMPERATURE: -40°C~+85°C.
 ALL CRITICAL DIMENSIONS WITH "*"!

FC 东莞市浚程电子科技有限公司
 DONG GUAN FU CHENG ELECTRONIC TECHNOLOGY Co., LTD

TITLE:	TAB-UP 1X2 1000BASE	SIZE	A4	UNITS	MM[INCH]	GENERAL TOLERANCES UNLESS SPECIFIED	APPROVED BY:
PART NO.:	FC-2542QNL	SACLE	1:1	REV	A0	$X^{\circ} \pm 3.0^{\circ}$	JP.Gong
REMARK:		SHEET	1/3			$.X^{\circ} \pm 2.0^{\circ}$	CHECKED BY:
						$.XX^{\circ} \pm 1.5^{\circ}$	TW.Xu
						$.XXX^{\circ} \pm 1.0^{\circ}$	DESIGNED BY:
							MQ.Qu

REACH & RoHS
COMPLIANT

REV.	ECN / DESCRIPTION	BY	DATE
A0	NEW	MQ.Qu	2018.05.30

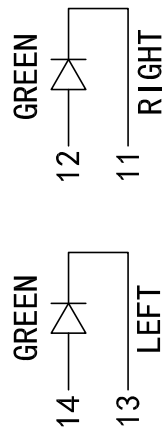


Electrical:

- Turn ratio: 1~2: J1~J2=1CT:1CT(±2%).
3~4: J3~J6=1CT:1CT(±2%).
7~8: J4~J5=1CT:1CT(±2%).
9~10: J7~J8=1CT:1CT(±2%).
- OCL: 350uH Min. at 100KHz 100mV 8mA DC.
- Insertion Loss: -1.0 dB Max 1~100MHz.
- Return loss: -20dB Min 1~10MHz;
-16dB Min 10~30MHz;
-12dB Min 30~60MHz;
-10dB Min 60~80MHz;
- Cross talk: -40dB Min 1~30MHz;
-35dB Min 30~60MHz;
-30dB Min 60~100MHz;
- CMR: -35dB Min 1~100MHz;
- Hi-Pot: 1500V AC & 2250V DC
6S 1mA PRI TO SEC

LED Specification

Standard LED Color	LED Wavelength	Forward(A)	Forward(V)
Green	568nm	20mA	1.85-2.45V

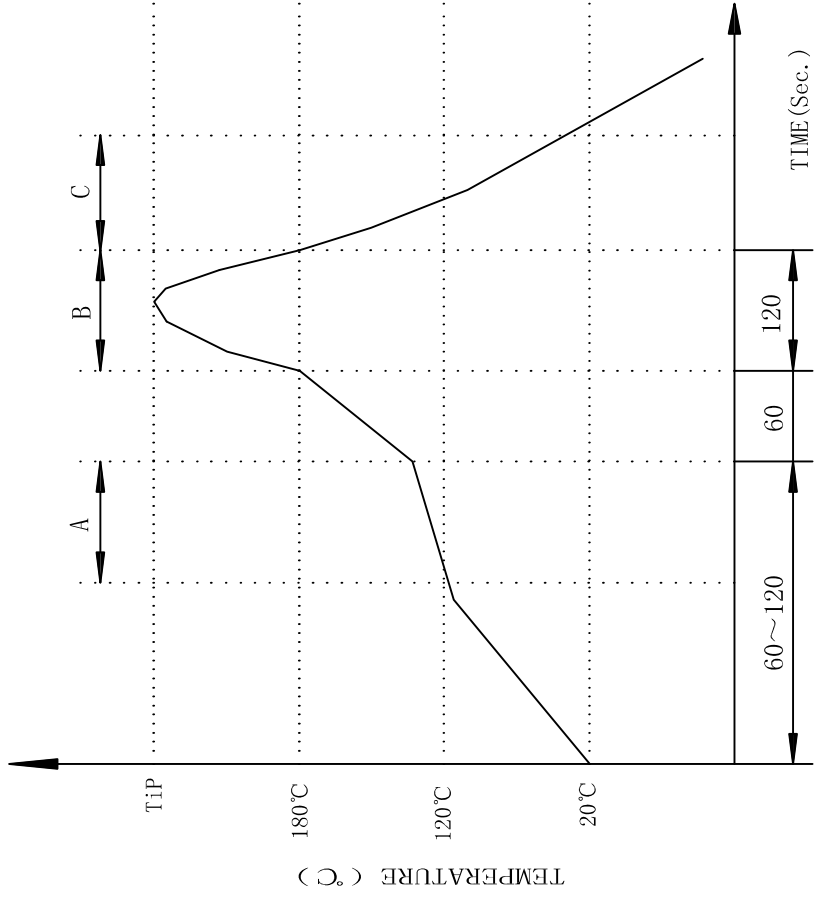


TITLE: TAB-UP 1X2 1000BASE		SIZE A4	UNITS MM[INCH]	GENERAL TOLERANCES UNLESS SPECIFIED	APPROVED BY: JP.Gong
PART NO.: FC-2542QNL		SACLE 1:1	REV A0	x±0.35 .x°±3.0°	CHECKED BY: TW.Xu
REMARK:		SHEET 2/3		.xx±0.25 .xxx±1.5°	DESIGN BY: MQ.Qu
DONG GUAN FU CHENG ELECTRONIC TECHNOLOGY Co., LTD 东莞市浚程电子科技有限公司		4	5	6	7
1	2	3	4	5	6
1	2	3	4	5	6

REACH & RoHS
COMPLIANT

REV.	ECN / DESCRIPTION	BY	DATE
A0	NEW	MQ.Qu	2018.05.30

PROFILE OF WAVE SOLDER



A.Preheating B.Soldering C.Gradual Cooling
 Tip temperature:260±5°C.
 Tip temperature time:5Sec Max.
 Tip melting point of Sn96.5/Ag3/Cu0.5:217°C.

Remarks: after wave soldering, the plastic positioning columns of the product which under the PCB will be slightly melted, but it won't affect its function.

TITLE: TAB-UP 1X2 1000BASE		SIZE A4	UNITS MM[INCH]	GENERAL TOLERANCES UNLESS SPECIFIED		APPROVED BY: JP.Gong
PART NO.: FC-2542QNL		SACLE 1:1	REV A0	x±0.35	x°±3.0°	CHECKED BY: TW.Xu
REMARK:		SHEET 3/3		.x±0.30	.x°±2.0°	DESIGN BY: MQ.Qu
				.xx±0.25	.xx°±1.5°	
				.xxx±0.10	.xxx°±1.0°	

东莞市浚程电子科技有限公司
 DONG GUAN FU CHENG ELECTRONIC TECHNOLOGY Co., LTD