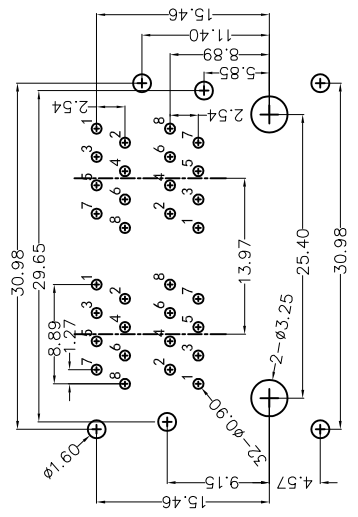
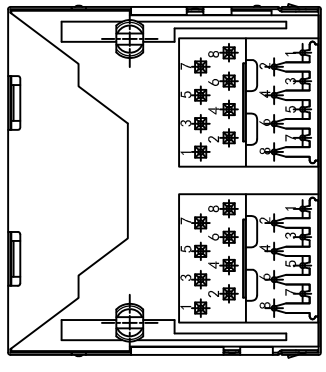
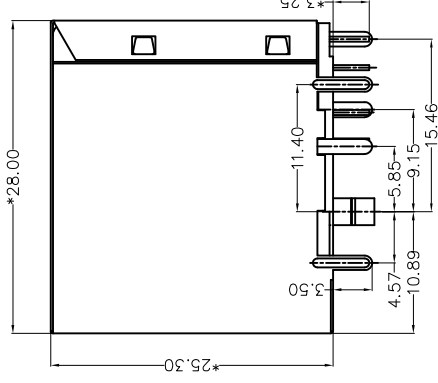
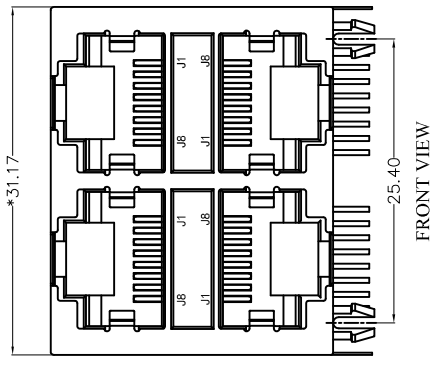


1	2	3	4	5	6	7	8
---	---	---	---	---	---	---	---

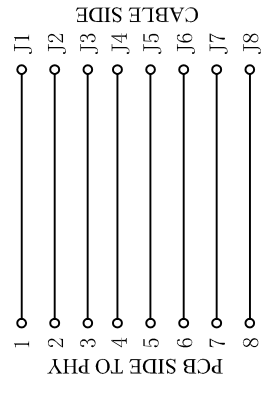
**REACH & RoHS COMPLIANT**

<b>REV.</b>	<b>ECN / DESCRIPTION</b>	<b>BY</b>	<b>DATE</b>
A0	NEW	MQ.QU	2018.03.01



BOTTOM VIEW

RECOMMENDED PCB LAYOUT  
VIEWED FROM COMPONENT SIDE



**MATERIAL:**  
HOUSING: PBT,UL94V-0,BLACK.  
TERMINAL: PHOSPHOR BRONZE Ø=0.46MM, 0.6U" GOLD PLATING.  
SHIELD: C2680,T=0.20MM,20 MIN NICKEL PLATING  
ON ALL AREA.

**MACHANICAL:**  
DURABILITY: 750 CYCLES MIN,12.5MM/MINUTE.  
INSERTION FORCE: 2.2KG.F MAX.  
RETENTION STRENGTH : 7.7KG.F BETWEEN JACK AND PLUG.  
OPERATING TEMPERATURE: -40°C ~+85°C.  
STORAGE TEMPERATURE: -40°C~+85°C.  
ALL CRITICAL DIMENSIONS WITH "±0.1"

**ELECTRICAL:**  
VOLTAGE: 125 VOLTS AC.  
CURRENT RATING : 1.5AMP.  
DIELECTRIC STRENGTH: 1000 VAC RMS 50HZ OR 60HZ,1 MIN.  
INSULATION RESISTANCE: 500 MEGA OHMS MIN. INITIAL  
AFTER 500V DC FOR 1 MINUTE.  
CONTACT RESISTANCE: SINGLE TERMINAL 30 MILLIOHMS MAX.  
INITIAL 50 MILLIOHMS MAX. AFTER  
DURABILITY TEST.

A	<b>TITLE:</b>	RJ45 5921 2*2	SIZE	A4	UNITS	MM[INCH]	GENERAL TOLERANCES	UNLESS SPECIFIED	APPROVED BY:	JP.Gong
	<b>PART NO.:</b>	FC-5921S22NL	SACLE	1:1	REV	A0	x±0.35	x°±3.0°	CHECKED BY:	TW.Xu
	<b>REMARK:</b>		SHEET	1/1			.x±0.30	.x°±2.0°	DESIGND BY:	MQ.Qu
B							.xx±0.25	.xx°±1.5°		
C							.xxx±0.10	.xxx°±1.0°		
D										
E										
F										
G										
H										

**东莞市浚程电子科技有限公司**  
DONG GUAN FU CHENG ELECTRONIC TECHNOLOGY Co., LTD

1	2	3	4	5	6	7	8
---	---	---	---	---	---	---	---