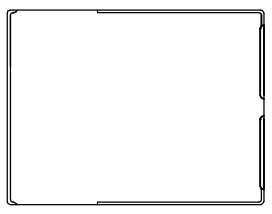
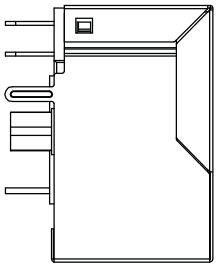


1 REACH & RoHS COMPLIANT

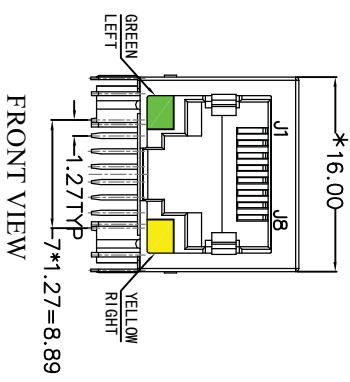
REV.	ECN / DESCRIPTION	BY	DATE
A0	NEW	MQ.Qu	2017.10.13



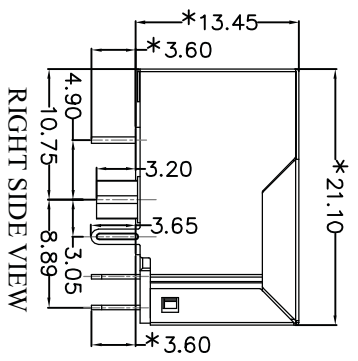
TOP VIEW



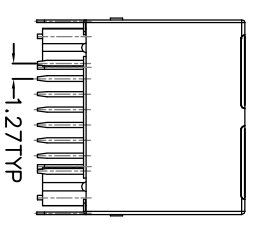
LEFT SIDE VIEW



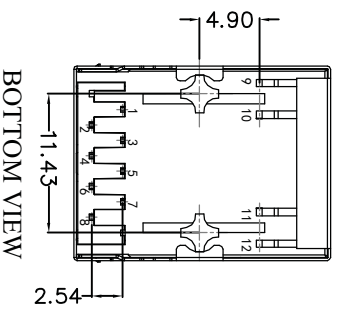
FRONT VIEW



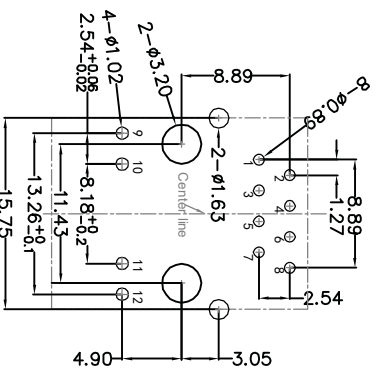
RIGHT SIDE VIEW



BACK VIEW



BOTTOM VIEW



RECOMMENDED PCB LAYOUT
VIEWED FROM COMPONENT SIDE

MATERIAL:
 HOUSING : PBT,UL94V-0,BLACK.
 TERMINALS BRACKET: PBT,UL94V-0,BLACK.
 SHIELD : C2680,T=0.20MM,NICKEL PLATING ON ALL AREA.
 TERMINAL: PHOSPHOR BRONZE C5210,T=0.35MM,
 6U" GOLD PLATING ON CONTACT AREA.

MECHANICAL:
 DURABILITY : 750 CYCLES MIN.
 MATING FORCE : 23N MAX.
 OPERATING TEMPERATURE: -40°C~+85°C.
 STORAGE TEMPERATURE: -40°C~+85°C.
 ALL CRITICAL DIMENSIONS WITH "*"



东莞市浔程电子科技有限公司
 DONG GUAN FU CHENG ELECTRONIC CO., LTD

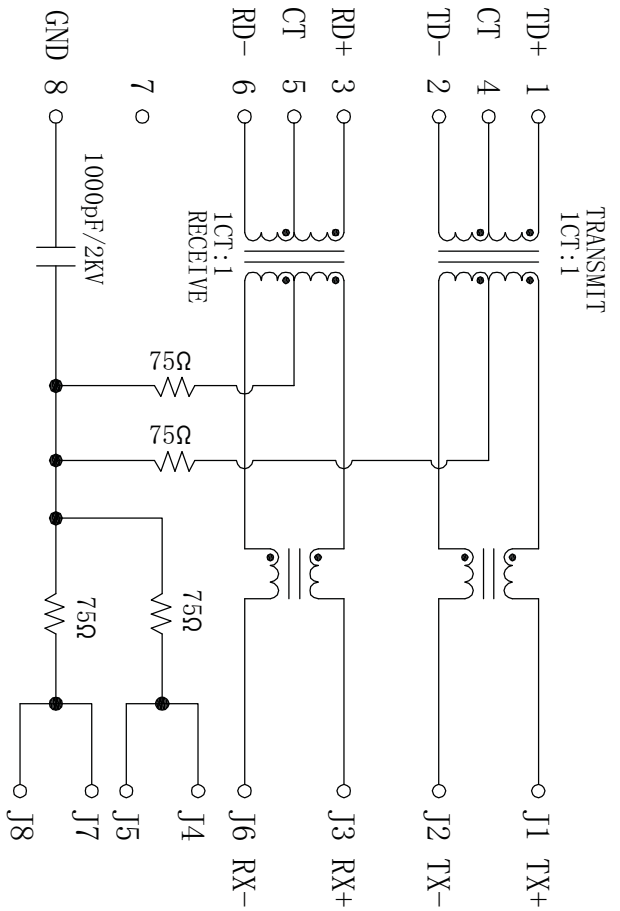
A	TITLE:	TAB-DOWN 1X1 100BASE	SIZE	A4	UNITS	MM[INCH]	GENERAL TOLERANCES UNLESS SPECIFIED		APPROVED BY:	JP.Gong
	PART NO.:	FCRJ45-111B002BA2A1D	SACLE	1:1	REV	A0	X±0.35	X°±3.0°	CHECKED BY:	TW.Xu
	REMARK:		SHEET	1/3			.XX±0.25	.XX°±1.5°	DESIGND BY:	MQ.Qu
							.XXX±0.10	.XXX°±1.0°		

1 2 3 4 5 6 7 8

REACH & RoHS
COMPLIANT

REV.	ECN / DESCRIPTION	BY	DATE
A0	NEW	MQ.Qu	2017.10.13

PCB SIDE TO PHY



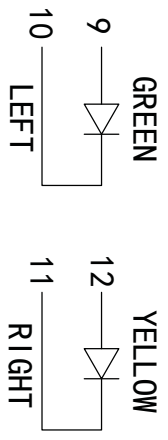
CABLE SIDE

Electrical:

- Turn ratio: 1~2: J1~J2 = 1CT:1CT(±2%).
3~6: J3~J6 = 1CT:1CT(±2%).
- OCL: 350uH Min.at 100KHz 100mV 8mA DC.
- Insertion Loss: -1.0 dB Max 1~100MHz.
- Return loss: -20dB Min 1~10MHz;
-1 6dB Min 10~30MHz;
-1 2dB Min 30~60MHz;
-10dB Min 60~80MHz.
- Cross talk: -40dB Min 1~30MHz;
-35dB Min 30~60MHz;
-30dB Min 60~100MHz;
- CMR: -30dB Min 1~100MHz;
- Hi-Pot: 1500V AC & 2250V DC
6S 1mA PRI TO SEC

LED Specification

Standard LED Color	LED Wavelength	Forward(A)	Forward(V)
Green	568nm	20mA	1.85-2.45V
Yellow	585nm	20mA	1.7-2.2V



FC
东莞市浔程电子科技有限公司
DONG GUAN FU CHENG ELECTRONIC CO., LTD

TITLE: TAB-DOWN 1*1 100BASE APPROVED BY: JP.Gong

PART NO.: FORJ45-111B002BA2A1D CHECKED BY: TW.Xu

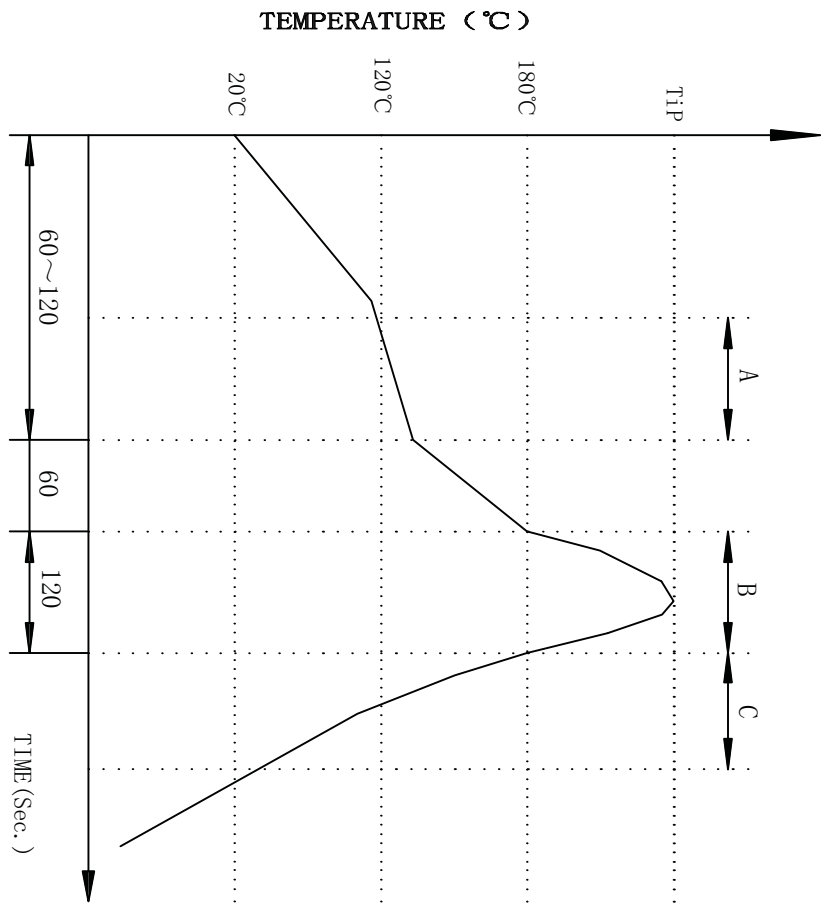
REMARK: SHEET 2/3 DESIGNED BY: MQ.Qu

1	2	3	4	5	6	7	8
---	---	---	---	---	---	---	---

REACH & ROHS
COMPLIANT

PROFILE OF WAVE SOLDER

REV.	ECN / DESCRIPTION	BY	DATE
A0	NEW	MQ.Qu	2017.10.13



A.Preheating B.Soldering C.Gradual Cooling
 Tip temperature:260±5°C.
 Tip temperature time:5Sec Max.
 Tip melting point of Sn96.5/Ag3/Cu0.5:217°C.

Remarks: after wave soldering, the plastic positioning columns of the product which under the PGB will be slightly melted, but it won't affect its function.

TITLE: TAB-DOWN IX1 100BASE		SIZE A4	UNITS MM[INCH]	GENERAL TOLERANCES UNLESS SPECIFIED		APPROVED BY: JP.Gong	
PART NO.: FCRJ45-111B002BA2A1D		SACLE 1:1	REV A0	X±0.35	X°±3.0°	CHECKED BY: TW.Xu	
REMARK:		SHEET 3/3		.X±0.30	.X°±2.0°	DESIGND BY: MQ.Qu	
				.XX±0.25	.XX°±1.5°		
				.XXX±0.10	.XXX°±1.0°		

东莞市浔程电子科技有限公司
DONG GUAN FU CHENG ELECTRONIC CO., LTD

1 2 3 4 5 6 7 8