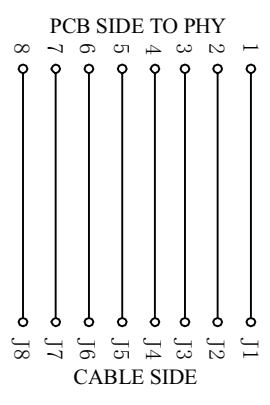
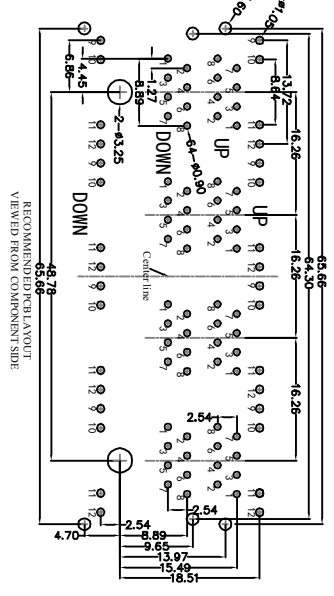
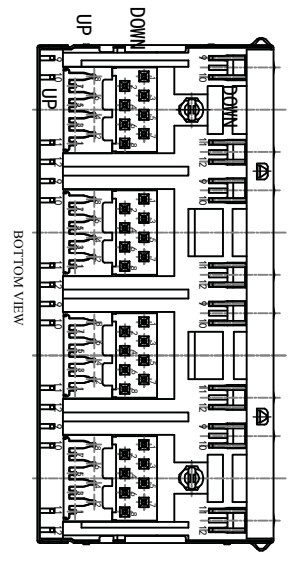
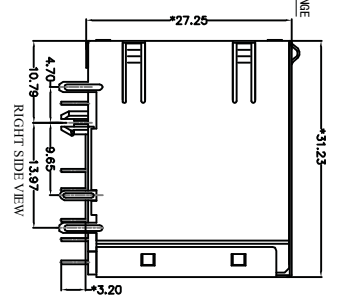
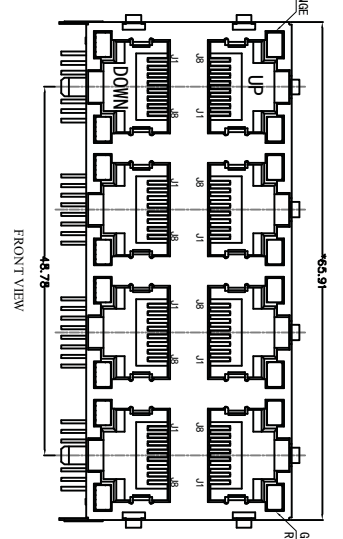


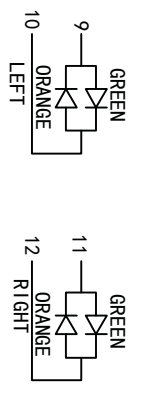
REACH & ROHS COMPLIANT

REV.	ECN / DESCRIPTION	BY	DATE
A0	NEW	ZGHU	2017.12.13



LED Specification

Standard LED Color	LED Wavelength Forward(A)	Forward(V)
Green	568nm	1.85-2.45V
Orange	585nm	1.8-2.8V



MATERIAL:
 HOUSING: PBT, UL94V-0, BLACK.
 TERMINAL: PHOSPHOR BRONZE Ø=0.46MM, G/FU" GOLD PLATING.
 SHIELD: C2680, T=0.20MM, 20 MIN NICKEL PLATING ON ALL AREA.

MACHINICAL:
 DURABILITY: 750 CYCLES MIN, 12.5MM/MINUTE.
 INSERTION FORCE: 2.2KG.F MAX.
 RETENTION STRENGTH: 7.7KG.F BETWEEN JACK AND PLUG.
 OPERATING TEMPERATURE: -40℃~+85℃.
 STORAGE TEMPERATURE: -40℃~+85℃.
 ALL CRITICAL DIMENSIONS WITH "###"

ELECTRICAL:
 VOLTAGE: 125 VOLTS AC.
 CURRENT RATING: 1.5AMP.
 DIELECTRIC STRENGTH: 1000 VAC RMS 50HZ OR 60HZ 1MIN.
 INSULATION RESISTANCE: 500 MEGA OHMS MIN. INITIAL AFTER 500V DC FOR 1 MINUTE.
 CONTACT RESISTANCE: SINGLE TERMINAL 30 MILLIOHMS MAX. INITIAL 50 MILLIOHMS MAX. AFTER DURABILITY TEST.

LED Specification

TITLE: RJ45 5921 2*4
SIZE: A4
UNITS: MM [INCH]
GENERAL TOLERANCES UNLESS SPECIFIED:
 X±0.35 X°±3.0°
 X±0.30 X°±2.0°
 .XX±0.25 .XX°±1.5°
 .XXX±0.10 .XXX°±1.0°

PART NO.: FORJ45-59212488D65A1DY1B022长体
REMARK:
SHEET: 1/1
APPROVED BY: JP.Gong
CHECKED BY: TW.Xu
DESIGN BY: ZG.Hu

东莞市涪程电子科技有限公司