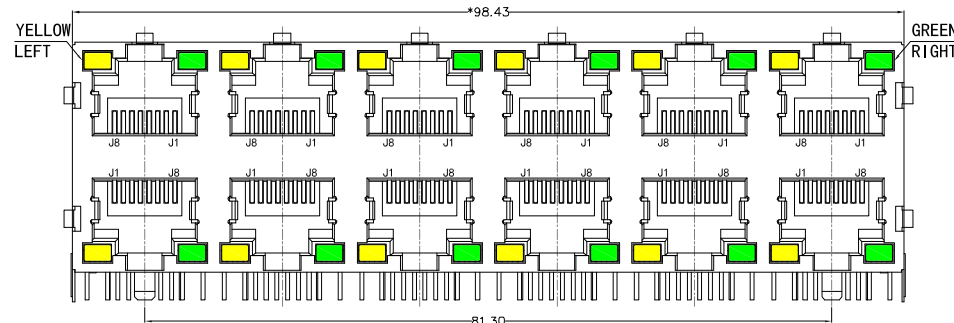
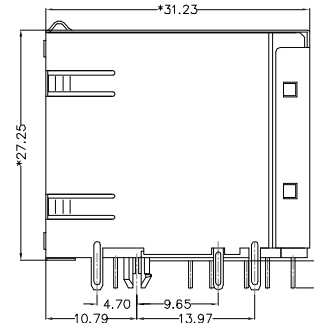


REACH & RoHS  
COMPLIANT

REV.	ECN / DESCRIPTION	BY	DATE
A0	NEW	MQ.QU	2018.03.09



FRONT VIEW



RIGHT SIDE VIEW

**MATERIAL:**

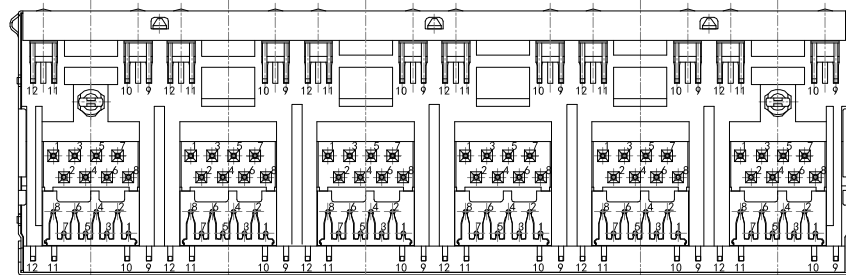
HOUSING: PBT,UL94V-0,BLACK.  
TERMINAL: PHOSPHOR BRONZE  $\varnothing=0.46\text{MM}$  , 0.6U" GOLD PLATING.  
SHIELD: C2680,T=0.20MM,20 MIN NICKEL PLATING ON ALL AREA.

**MACHANICAL:**

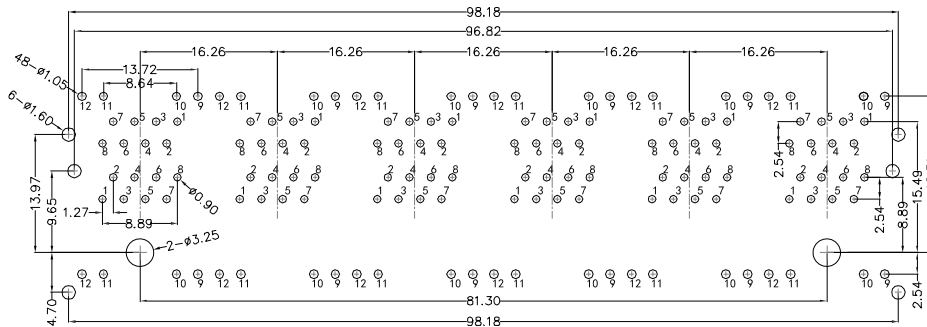
DURABILITY: 750 CYCLES MIN,12.5MM/MINUTE.  
INSERTION FORCE: 2.2KG.F MAX.  
RETENTION STRENGTH : 7.7KG.F BETWEEN JACK AND PLUG  
OPERATING TEMPERATURE: -40 °C~+85 °C.  
STORAGE TEMPERATURE: -40°C~+85°C.  
ALL CRITICAL DIMENSIONS WITH "##"

**ELECTRICAL:**

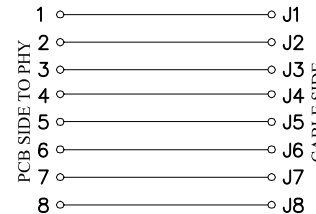
VOLTAGE: 125 VOLTS AC.  
CURRENT RATING : 1.5AMP.  
DIELECTRIC STRENGTH : 1000 VAC RMS 50HZ OR 60HZ,1 MIN.  
INSULATION RESISTANCE: 500 MEGA OHMS MIN. INITIAL  
AFTER 500V DC FOR 1 MINUTE.  
CONTACT RESISTANCE: SINGLE TERMINAL 30 MILLIOHMS MAX.  
INITIAL 50 MILLIOHMS MAX. AFTER DURABILITY TEST.



BOTTOM VIEW

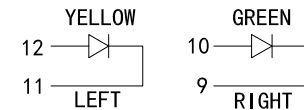


RECOMMENDED PCB LAYOUT  
VIEWED FROM COMPONENT SIDE



**LED Specification**

Standard LED Color	LED Wavelength	Foward(A)	Foward(V)
Green	568nm	20mA	1.8-2.8V
Yellow	585nm	20mA	1.8-2.8V



东莞市涪程电子科技有限公司  
DONG GUAN FU CHENG ELECTRONIC TECHNOLOGY Co., LTD

TITLE:  
RJ45 5921 2\*6 8P8C  
PART NO.:  
FCRJ45-59212688DB1A1DY1B022长体  
REMARK:

SIZE  
A4  
SACLE  
1:1  
SHEET  
1/1

UNITS  
MM[INCH]  
REV  
A0

GENERAL TOLERANCES  
UNLESS SPECIFIED  
.x±0.35  
.x°±3.0°  
.xx±0.25  
.xx°±1.5°  
.xxx±0.10  
.xxx°±1.0°

APPROVED BY:  
JP.Gong  
CHECKED BY:  
TW.Xu  
DESIGND BY:  
MQ.Qu