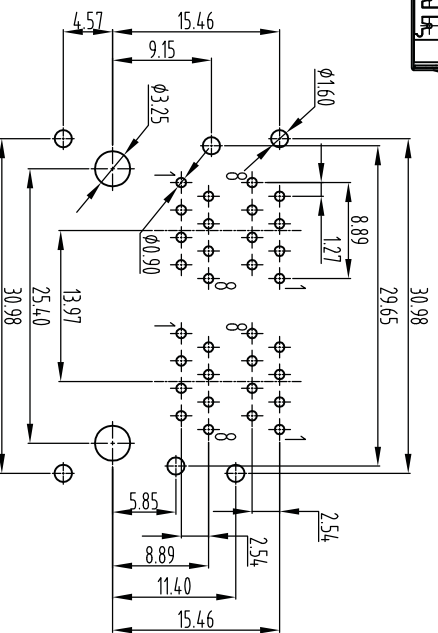
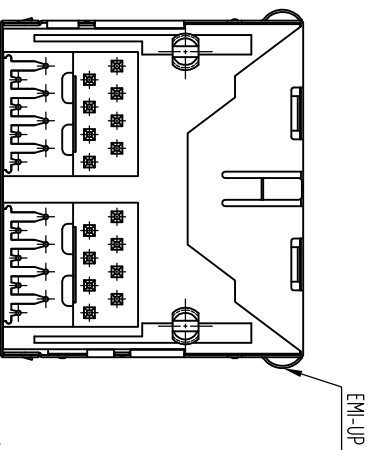
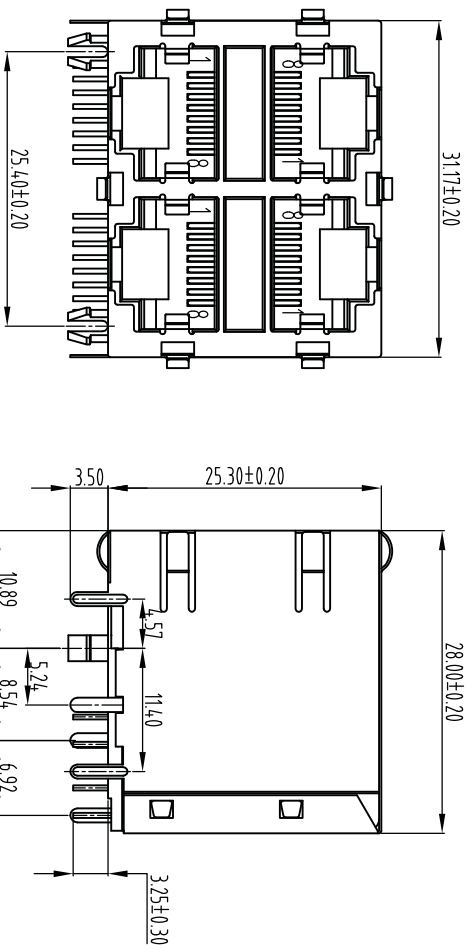


REVISION RECORD				
REV	ECO	DESCRIPTION	DRPT	CHKD



PCB LAYOUT/TOP VIEW

NOTES:

MATERIAL:

- 1 HOUSING
- 2 CONTACT (ROUND PIN $\phi 0.46\text{mm}$)
- 3 SHIELD
- 4 LED
- GLASS FILLED POLYESTER UL94V-0
- PHOSPHOR BRONZE WITH GOLD PLATING OVER NICKEL
- 0.20mm THICKNESS COPPER ALLOY WITH NICKEL PLATED
- OPTION

ELECTRICAL:

- 1 VOLTAGE RATING : 125V A.C.
- 2 CURRENT RATING : 15AMP.
- 3 CONTACT RESISTANCE : 30 MILLIOHMS MAX.
- 4 INSULATION RESISTANCE : 500 MEGOHMS MIN @ 500V DC.
- 5 DIELECTRIC WITHSTANDING VOLTAGE : 1000V AC RMS 50HZ OR 60HZ 1MIN.

MECHANICAL:

- 1 INSERTION FORCE : 2.2KG MAX.
- 2 RETENTION STRENGTH : 1.7KG BETWEEN JACK AND PLUG
- 3 DURABILITY : 750 CYCLES MIN.

ENVIRONMENTAL:

- 1 STORAGE : -40 $^{\circ}$ ~+85 $^{\circ}$ C
- 2 OPERATION : -40 $^{\circ}$ TO 85 $^{\circ}$ C

THE MARTS MODULAR PLUG CONFORMING TO FCC PART168

DETACHED LISTS

MM		INCH	
0.00	± 0.020	0.00	± 0.020
0.00	± 0.15	0.00	± 0.15
0.00	± 0.10	0.00	± 0.10

DATE	DATE	DATE	DATE
2011-06-02			

DATE	DATE	DATE	DATE

DATE	DATE	DATE	DATE

DATE	DATE	DATE	DATE

DATE	DATE	DATE	DATE

DATE	DATE	DATE	DATE

东莞市涪程电子科技有限公司

59 SERIES 2XN PCB JACK

DRAWING NO.	FOR J45-59B8822100	SIZE	REV
/PART NO.		A4	A/1
DD NOT SCALE DRAWING		SHEET X	OF Y