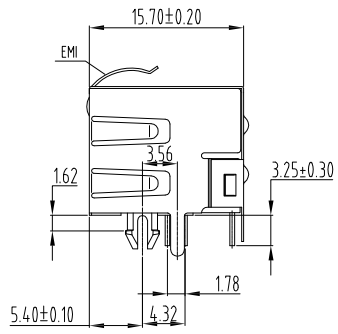
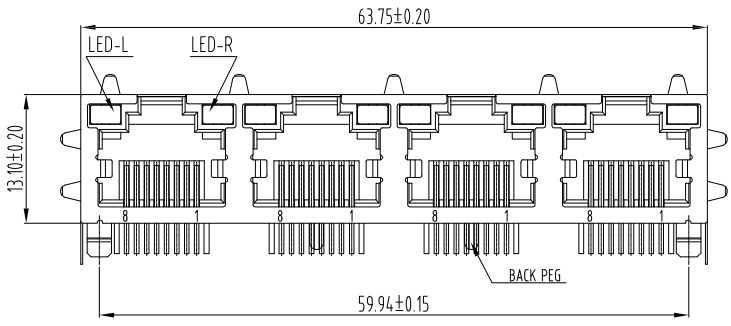


REACH & RoHS  
COMPLIANT

REV.	ECN / DESCRIPTION	BY	DATE
A0	NEW	TW.Xu	2018.04.10



NOTES:

MATERIAL:

- 1.HOUSING :GLASS FILLED POLYESTER UL94V-0
- 2.CONTACT (ROUND PIN  $\phi 0.46\text{mm}$ ) :PHOSPHOR BRONZE WITH GOLD PLATING OVER NICKEL.
- 3.SHIELD :0.20mm THICKNESS COPPER ALLOY WITH NICKEL PLATED.
- 4.LED :OPTION

ELECTRICAL:

- 1.VOLTAGE RATING :125V AC.
- 2.CURRENT RATING :1.5AMP.
- 3.CONTACT RESISTANCE :30 MILLIOHMS MAX.
- 4.INSULATION RESISTANCE :500 MEGOHMS MIN @ 500V DC.
- 5.DIELECTRIC WITHSTANDING VOLTAGE :1000V AC RMS 50Hz OR 60Hz. 1MIN.

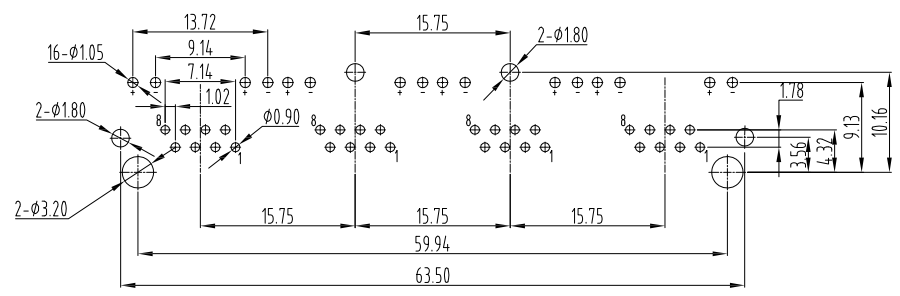
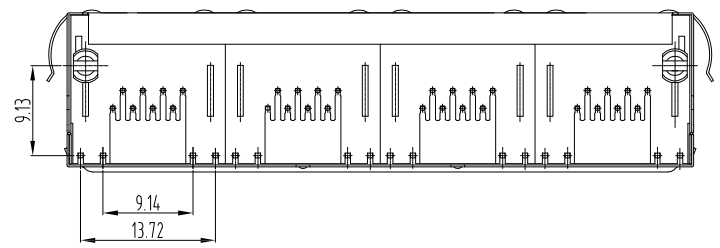
MECHANICAL:

- 1.INSERTION FORCE :2.2Kg MAX.
- 2.RETENTION STRENGTH :7.7Kg BETWEEN JACK AND PLUG
- 3.DURABILITY :750 CYCLES MINI.

ENVIRONMENTAL:

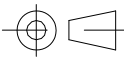
- 1.STORAGE : -40℃~+85℃.
- 2.OPERATION : -40℃ TO 85℃.

THE MARTS MODULAR PLUG CONFORMAING TO FCC PART68



PCB LAYOUT/TOP VIEW

 东莞市涪程电子科技有限公司  
DONG GUAN FU CHENG ELECTRONIC TECHNOLOGY Co., LTD

TITLE: RJ45 5JA SERIES 1*4 LED JACK	SIZE A4	UNITS MM[INCH]	GENERAL TOLERANCES UNLESS SPECIFIED		APPROVED BY: JP.Gong
PART NO.: FCRJ45-5JA88-4211	SACLE 1:1	REV A0	$x \pm 0.35$	$x^\circ \pm 3.0^\circ$	CHECKED BY: TW.Xu
REMARK:	SHEET 1/1		$.x \pm 0.30$	$.x^\circ \pm 2.0^\circ$	DESIGND BY: MQ.Qu
			$.xx \pm 0.25$	$.xx^\circ \pm 1.5^\circ$	
			$.xxx \pm 0.10$	$.xxx^\circ \pm 1.0^\circ$	