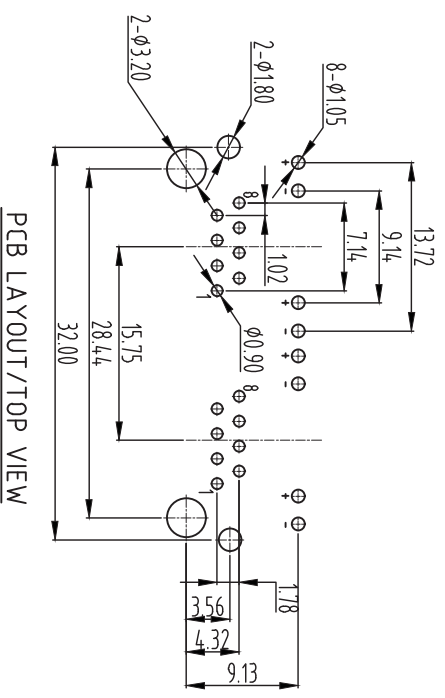
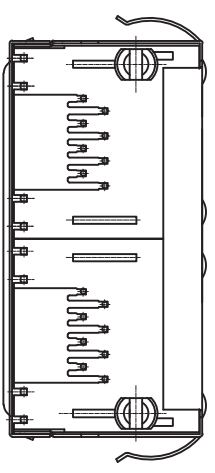
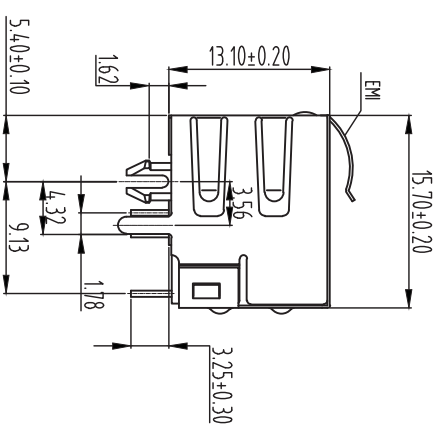
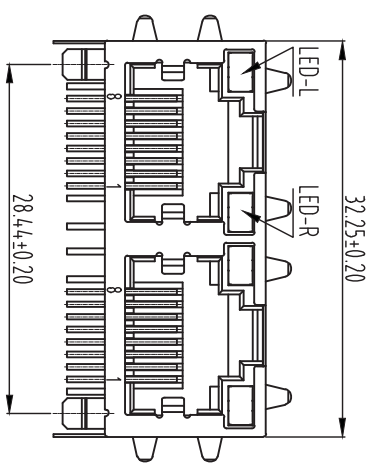


REVISION RECORD

REV	ECO	DESCRIPTION	DRFT	CHKD



NOTES:
 MATERIAL:
 1 HOUSING
 2 CONTACT (ROUND PIN Ø0.45mm)
 3 SHIELD
 4 LED
 5 DIELECTRIC WITHSTANDING VOLTAGE

ELECTRICAL:
 1 VOLTAGE RATING : 125V AC.
 2 CURRENT RATING : 15AMP.
 3 CONTACT RESISTANCE : 30 MILLIOHMS MAX.
 4 INSULATION RESISTANCE : 500 MEGOHMS MIN @ 500V DC.
 5 DIELECTRIC WITHSTANDING VOLTAGE : 1000V AC RMS 50Hz OR 60Hz. MIN.

MECHANICAL:
 1 INSERTION FORCE : 2.2KG MAX.
 2 RETENTION FORCE : 1.7KG BETWEEN JACK AND PLUG
 3 DURABILITY : 750 CYCLES MIN.

ENVIRONMENTAL:
 1 STORAGE : -40°C~+85°C.
 2 OPERATION : -40°C TO 85°C.
 THE MARTS MODULAR PLUG CONFORMING TO FCC PART 68
 PART NUMBER:

DETACHED LISTS		DATE: 2011-06-02	
MM	INCHES	DR TO JIANK	DATE
0.00 ± 0.05	±	CHKD	DATE
0.00 ± 0.10	±	APPV	DATE
0.00 ± 0.10	±	MATERIAL	
ANGLES ± 0.5°		QTY	
		FINISH	
		THIRD ANGLE PROJECTION	
		SCALE	

东莞市倍程电子科技有限公司

TITLE
5JA SERIES 1XN LED JACK

DRAWING NO. EGRJ45-5JA88-2210	SIZE REV
PART NO.	A4 A1
DD NOT SCALE DRAWING	SHEET X OF Y

8 7 6 5 4 3 2 1