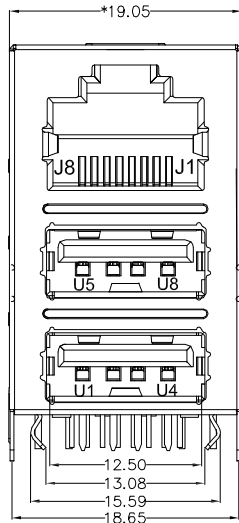
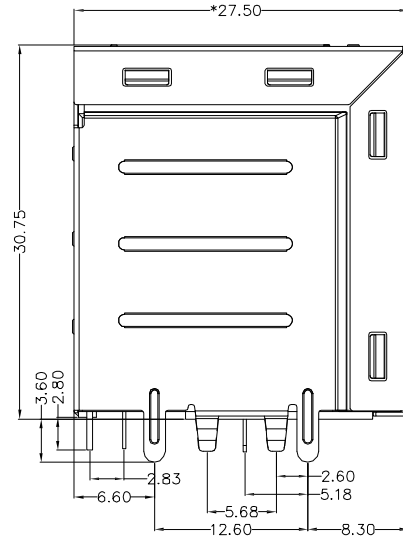


REACH & RoHS  
COMPLIANT

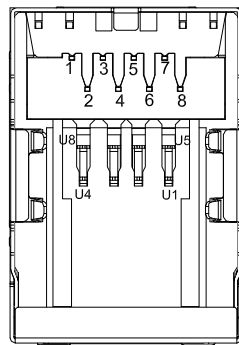
REV.	ECN / DESCRIPTION	BY	DATE
A0	NEW	TW.Xu	2018.10.31



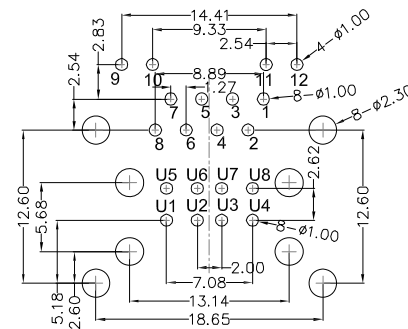
FRONT VIEW



RIGHT SIDE VIEW



BOTTOM VIEW



RECOMMENDED PCB LAYOUT  
VIEWED FROM COMPONENT SIDE

**MATERIAL:**

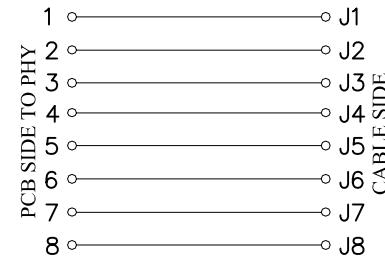
RJ45:  
HOUSING: PBT,UL94V-0,BLACK.  
RJ45 TERMINAL: PHOSPHOR BRONZE T=0.35MM , 0.6U" GOLD PLATING.  
USB:  
HOUSING: PBT,UL94V-0,BLUE.  
RJ45 TERMINAL: PHOSPHOR BRONZE T=0.30MM , 0.6U" GOLD PLATING.  
SHIELD:SPCC.

**MACHANICAL:**

DURABILITY: 750 CYCLES MIN,12.5MM/MINUTE.  
INSERTION FORCE: 2.2KG.F MAX.  
RETENTION STRENGTH : 7.7KG.F BETWEEN JACK AND PLUG.  
OPERATING TEMPERATURE: -40 ℃~+85℃.  
STORAGE TEMPERATURE: -40℃~+85℃.  
ALL CRITICAL DIMENSIONS WITH "\*\*"

**ELECTRICAL:**

VOLTAGE: 125 VOLTS AC.  
CURRENT RATING : 1.5AMP.  
DIELECTRIC STRENGTH: 1000 VAC RMS 50HZ OR 60HZ,1MIN.  
INSULATION RESISTANCE: 500 MEGA OHMS MIN. INITIAL  
AFTER 500V DC FOR 1 MINUTE.  
CONTACT RESISTANCE: SINGLE TERMINAL 30 MILLIOHMS MAX.  
INITIAL 50 MILLIOHMS MAX. AFTER  
DURABILITY TEST.



<b>TITLE:</b> RJ45+双USB 2.0	<b>SIZE</b> A4	<b>UNITS</b> MM[INCH]	<b>GENERAL TOLERANCES</b> UNLESS SPECIFIED		<b>APPROVED BY:</b> JP.Gong
<b>PART NO.:</b> FCRJ45-RU222188GWDB1080	<b>SACLE</b> 1:1	<b>REV</b> A0	x±0.35	x°±3.0°	<b>CHECKED BY:</b> TW.Xu
<b>REMARK:</b>	<b>SHEET</b> 1/1		.x±0.30	.x°±2.0°	<b>DESIGND BY:</b> TW.Xu
			.xx±0.25	.xx°±1.5°	
			.xxx±0.10	.xxx°±1.0°	

东莞市涪程电子科技有限公司  
DONG GUAN FU CHENG ELECTRONIC TECHNOLOGY Co., LTD