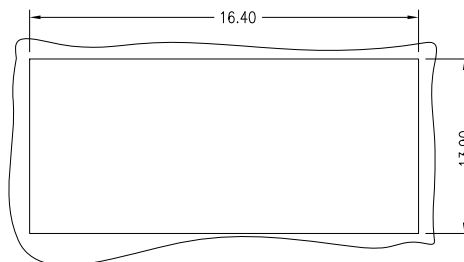
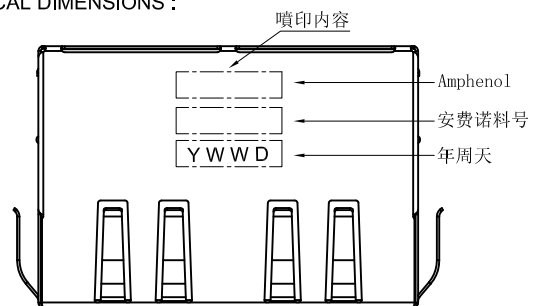


REACH & RoHS
COMPLIANT

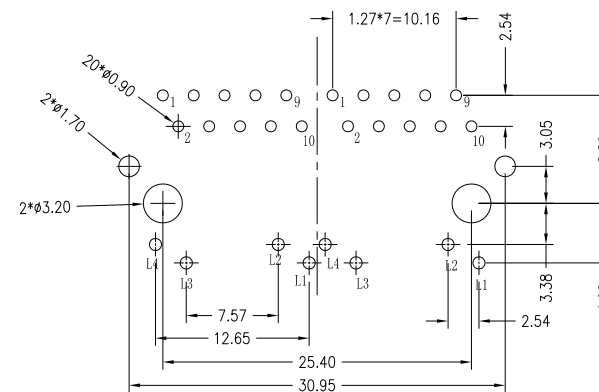
REV.	ECN / DESCRIPTION	BY	DATE
A0	NEW	MQ.Qu	2018.05.21

1. MECHANICAL DIMENSIONS :

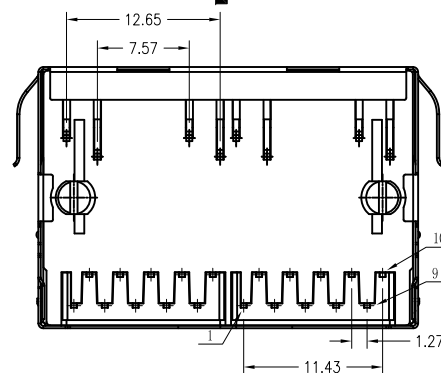
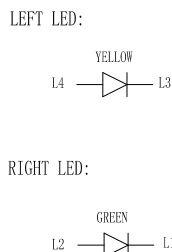
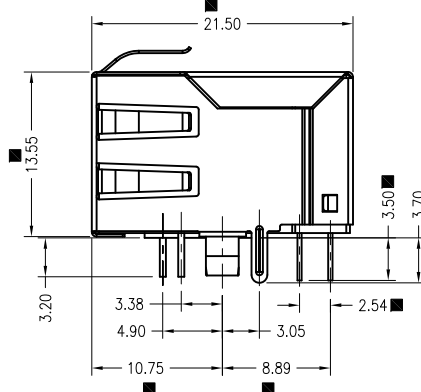
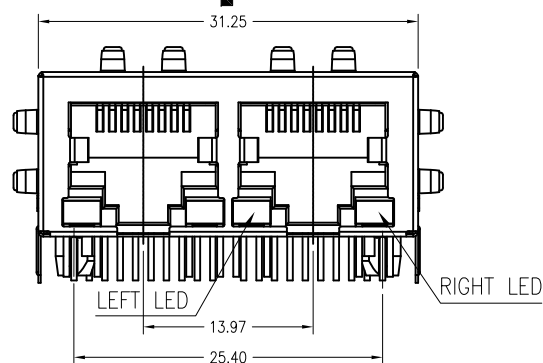


RECOMMENDED
PANEL CUTOUT DIMENSION

2. PCB LAYOUT :




SUGGESTED PCB LAYOUT
DIMENSIONAL TOLERANCE: .XX ±0.05



NOTES:

- MATERIALS:
HOUSING —PA46 POLYESTER UL94V-0
MIXED GLASS FIBER.
STANDARD COLOR—BLACK.
CONTACTS—0.35mm THICK PHOS—BRONZE PLATED
WITH G/F GOLD AND TIN
IN SOLDER AREA.
SHIELD—0.2mm THICK COPPER ALLOY,
PLATED WITH NICKEL.
- CAVITY CONFIRMS TO FCC RULES AND REGULATIONS
PART 68,SUBPART F.

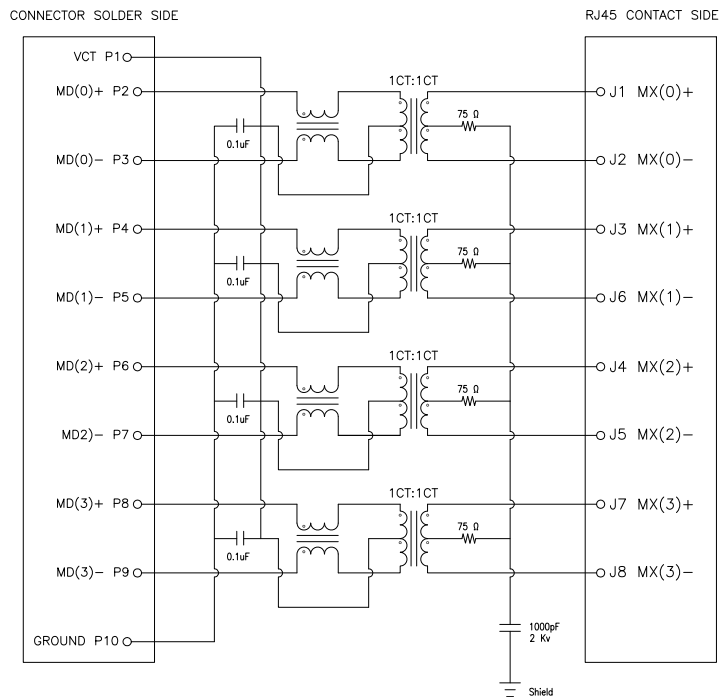
 东莞市涪程电子科技有限公司
DONG GUAN FU CHENG ELECTRONIC TECHNOLOGY Co., LTD

TITLE: RJ45, 1*2 CONN, W/LED, 10P8C 100/1000, FILTER	SIZE A4	UNITS MM[INCH]	GENERAL TOLERANCES UNLESS SPECIFIED		APPROVED BY: JP.Gong
PART NO.: FDB-DA21-38AY	SACLE 1:1	REV A0	x±0.35 .x±0.30	x°±3.0° .x°±2.0°	CHECKED BY: TW.Xu
REMARK:	SHEET 1/3		.xx±0.25 .xxx±0.10	.xx°±1.5° .xxx°±1.0°	DESIGND BY: MQ.Qu

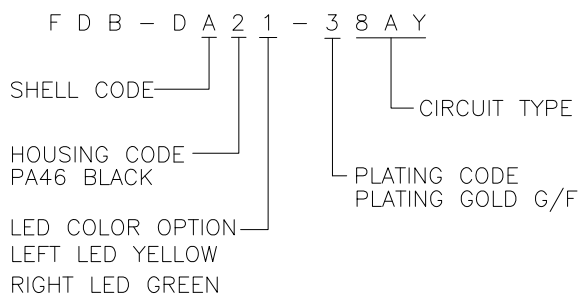
REACH & RoHS
COMPLIANT

REV.	ECN / DESCRIPTION	BY	DATE
A0	NEW	MQ.Qu	2018.05.21

3. SCHEMATIC:



E-CONN PART NO:



4. ELECTRICAL CHARACTERISTICS :

TEST NOTES:(25°±5°C)

- TR:(100KHz,0.1V); 100%
PINS:(P2,P3)(J1,J2)=1:1±3%(P4,P5)(J3,J6)=1:1±3%
PINS:(P6,P7)(J4,J5)=1:1±3%(P8,P9)(J7,J8)=1:1±3%
- LX:(100KHz,100mV,8mA, DC Bias) 100%
PINS:(P2,P3)(P4,P5)(P6,P7)(P8,P9)=350uH MINIMUM
- DCR: 100%
PINS:(J1,J2)(J3,J6)(J4,J5)(J7,J8)=1.2Ω MAXIMUM
- HIPOT: 100%
PINS(P2,P3)TO(J1,J2),(P4,P5)TO(J3,J6),(P6,P7)TO(J4,J5),
(P8,P9)TO(J7,J8)=1500VAC FOR 2 SECONDS
- INSERTION LOSS:
-1.0dB MAXIMUM AT 1MHz TO 100MHz;
- RETURN LOSS:
-20dB MINIMUM AT 1MHz TO 30MHz;
-15dB MINIMUM AT 30MHz TO 60MHz
-10dB MINIMUM AT 60MHz TO 80MHz
- CROSS TALK:
-30dB MINIMUM AT 1MHz TO 100MHz
- COMMON TO COMMON MODE REJECTION:
-30dB MINIMUM AT 1MHz TO 100MHz



东莞市涪程电子科技有限公司
DONG GUAN FU CHENG ELECTRONIC TECHNOLOGY Co., LTD

TITLE: RJ45, 1*2 CONN, W/LED, 10P8C 100/1000, FILTER	SIZE A4	UNITS MM[INCH]	GENERAL TOLERANCES UNLESS SPECIFIED		APPROVED BY: JP.Gong
PART NO.: FDB-DA21-38AY	SACLE 1:1	REV A0	x±0.35	x°±3.0°	CHECKED BY: TW.Xu
REMARK:	SHEET 1/3		.x±0.30	.x°±2.0°	DESIGND BY: MQ.Qu
			.xx±0.25	.xx°±1.5°	
			.xxx±0.10	.xxx°±1.0°	

REACH & RoHS
COMPLIANT

REV.	ECN / DESCRIPTION	BY	DATE
A0	NEW	MQ.Qu	2018.05.21

Можно сделать с подвесными LED

Number	LEFT LED		RIGHT LED		Number	LEFT LED		RIGHT LED		Number	LEFT LED		RIGHT LED		Number	LEFT LED		RIGHT LED	
	L4+ L3-	L4- L3+	L2+ L1-	L2- L1+		L4+ L3-	L4- L3+	L2+ L1-	L2- L1+		L4+ L3-	L4- L3+	L2+ L1-	L2- L1+		L4+ L3-	L4- L3+	L2+ L1-	L2- L1+
1	YELLOW		GREEN		N	GREEN	ORANGE	YELLOW		21	GREEN				41	BLUE		BLUE	
2	YELLOW			GREEN	P	ORANGE	GREEN		YELLOW	22	GREEN	ORANGE	ORANGE		42	RED		RED	
3	GREEN			YELLOW	Q	ORANGE	GREEN	YELLOW		23	GREEN	YELLOW		GREEN	99	RED		YELLOW	
4	GREEN		YELLOW		R	GREEN		GREEN	ORANGE	24	GREEN	YELLOW	YELLOW		43		GREEN		ORANGE
5	GREEN		GREEN		S	YELLOW	GREEN	GREEN		25	ORANGE	GREEN	ORANGE	GREEN	44	WHITE		WHITE	
6	YELLOW		YELLOW		T	GREEN		ORANGE		26	上层YELLOW(极性L4+ L3-), 下层(极性L2+ L1-) 乍板26专用				45	WHITE		GREEN	YELLOW
7		GREEN		YELLOW	U	GREEN	ORANGE	GREEN		27	GREEN	AMBER	GREEN		46	GREEN	AMBER	GREEN	AMBER
8	YELLOW	GREEN	YELLOW	GREEN	V		GREEN	YELLOW	ORANGE	28	YELLOW		YELLOW	GREEN	47		GREEN	GREEN	
9		GREEN	YELLOW		W	YELLOW			ORANGE	29	GREEN		YELLOW	GREEN	48		RED		GREEN
A	GREEN	YELLOW	GREEN	YELLOW	Y	YELLOW		ORANGE	GREEN	30	ORANGE	GREEN		GREEN	49	ORANGE		YELLOW	
A1	GREEN 525±5 nm	YELLOW 590±3 nm	GREEN 525±5 nm	YELLOW 590±3 nm	11	ORANGE		GREEN		31	YELLOW		GREEN	YELLOW	50		GREEN		
B	YELLOW		GREEN	ORANGE	12	ORANGE	YELLOW	GREEN		32	BLUE		GREEN		51	GREEN	RED	YELLOW	GREEN
C	ORANGE	YELLOW		GREEN	13	BLUE	YELLOW			33	RED		YELLOW	GREEN	52	GREEN	YELLOW	ORANGE	
D	GREEN		GREEN	YELLOW	14	GREEN		BLUE	YELLOW	34		GREEN	YELLOW	GREEN	53	YELLOW		ORANGE	
G	GREEN	ORANGE	GREEN	ORANGE	15			BLUE	YELLOW	35	AMBER	GREEN	AMBER	GREEN	54	RED		GREEN	
H	GREEN	YELLOW	GREEN		16			GREEN		36		GREEN		GREEN	55	GREEN		ORANGE	GREEN
J		YELLOW	ORANGE	GREEN	17	GREEN		AMBER		37	RED	GREEN	RED	GREEN					
K	GREEN		RED		18	GREEN	YELLOW			38		ORANGE		ORANGE					
L		YELLOW		GREEN	19	GREEN	YELLOW	GREEN	ORANGE	39	GREEN	ORANGE							
M		AMBER		GREEN	20	AMBER		GREEN		40	YELLOW	GREEN							



东莞市涪程电子科技有限公司
DONG GUAN FU CHENG ELECTRONIC TECHNOLOGY Co., LTD

TITLE:
RJ45, 1*2 CONN, W/LED, 10P8C
100/1000, FILTER

PART NO.:
FDB-DA21-38AY

REMARK:

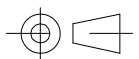
SIZE
A4

SACLE
1:1

SHEET
1/3

UNITS
MM[INCH]

REV
A0



GENERAL TOLERANCES
UNLESS SPECIFIED

$x \pm 0.35$
 $.x \pm 0.30$

$.xx \pm 0.25$
 $.xxx \pm 0.10$

$x^\circ \pm 3.0^\circ$
 $.x^\circ \pm 2.0^\circ$

$.xx^\circ \pm 1.5^\circ$
 $.xxx^\circ \pm 1.0^\circ$

APPROVED BY:
JP.Gong

CHECKED BY:
TW.Xu

DESIGND BY:
MQ.Qu