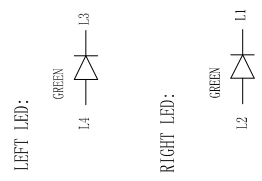
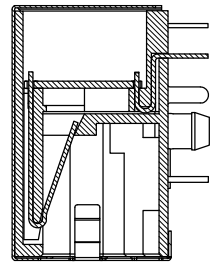
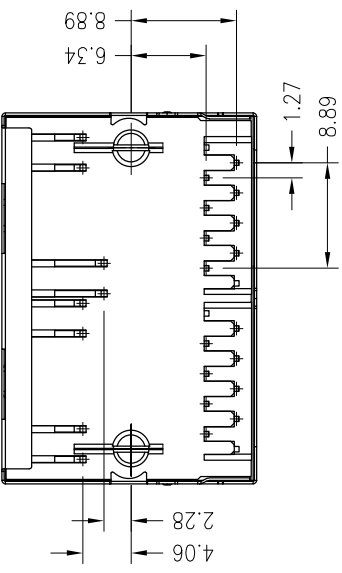
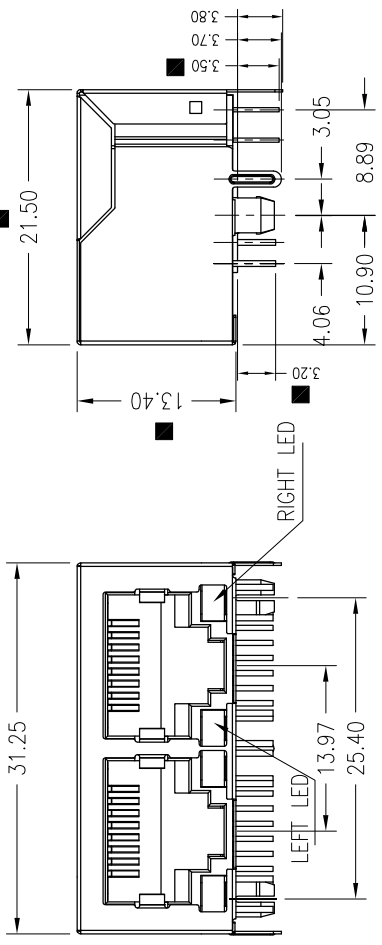
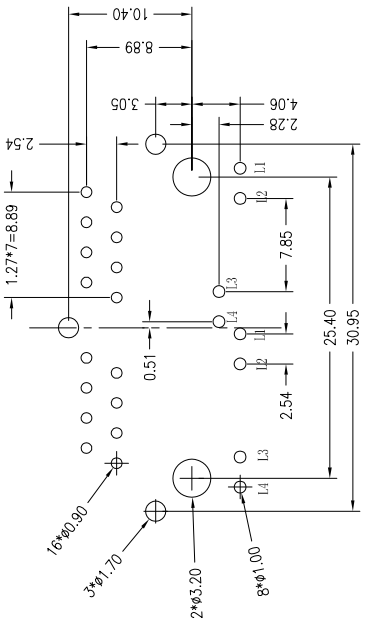
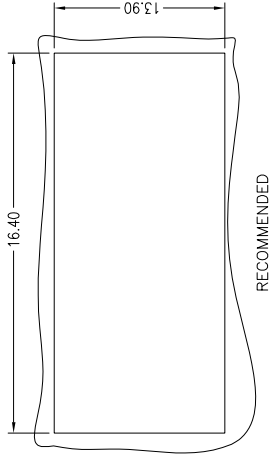


1 2 3 4 5 6 7 8

F E D C B



NOTES:

1. MATERIALS:  
HOUSING -PBT POLYESTER UL94V-0  
MIXED GLASS FIBER.  
STANDARD COLOR-BLACK.  
CONTACTS -0.35mm THICK PHOS-BRONZE PLATED  
WITH G/F GOLD AND TIN  
IN SOLDER AREA.  
SHIELD-0.2mm THICK COPPER ALLOY,  
PLATED WITH NICKEL.
2. CAVITY CONFIRMS TO FCC RULES AND REGULATIONS  
PART 68,SUBPART F.

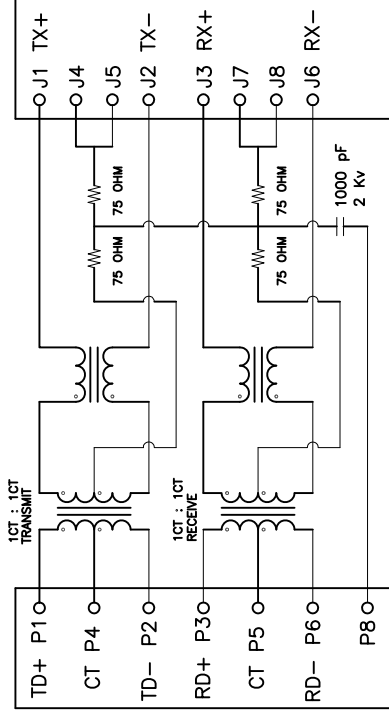
REV.	ECN. NO.	DRAWN	DATE	EC.content
A	NEW	LLDONG	05/10/2017	

⊗: QUALITY CONTROL ITEM		PART NO.: FDB-DB15-3403	
APPROVED	GENERAL TOLERANCE X:± 0.38 Y:± 2' .XX± 0.25 .XXX± 0.13	TITLE:RJ45,1*2 CONN,W/LED,8P8C 10/100,FILTER	
CHECKED			
DRAWN	UNIT: mm	SCALE: 1:1	SHEET: 1/3
		REV.: A	

FUCHENG

3. SCHEMATIC:

CONNECTOR SOLDER SIDE RJ45 CONTACT SIDE



e-CONN PART NO:

F D B - D B 1 5 - 3 4 0 3

SHELL CODE

A: W/O ALLSPRING  
W/LED HOLE

HOUSING CODE

1: BLACK,LED 數稱

LED COLOR OPTION

CIRCUIT TYPE

PLATING CODE

4. ELECTRICAL CHARACTERISTICS :

TEST NOTES:(25±5°C)

1. TR:(100KHz,0.1V); 100%  
PINS:(P1,P2):(J1,J2)=1:1±3%;(P3,P6):(J3,J6)=1:1±3%
2. LX:(100KHz,100mV,8mA, DC Bias) 100%  
PINS:(P1,P2),(P3,P6)=350uH MINIMUM
3. DCR: 100%  
PINS:(J1,J2),(J3,J6)=1.2Ω MAXIMUM
4. HIPOT: 100%  
PINS(P1,P2)TO(J1,J2),(P3,P6)TO(J3,J6)=1500VAC FOR 2 SECONDS
5. INSERTION LOSS:  
-1.0dB MAXIMUM AT 1MHz TO 100MHz;
- 6.RETURN LOSS:  
-20dB MINIMUM AT 1MHz TO 30MHz;  
-15dB MINIMUM AT 30MHz TO 60MHz  
-10dB MINIMUM AT 60MHz TO 80MHz
- 7.CROSS TALK:  
-30dB MINIMUM AT 1MHz TO 100MHz
- 8.COMMON TO COMMON MODE REJECTION:  
-30dB MINIMUM AT 1MHz TO 100MHz

REV.	ECN. NO.	DRAWN	DATE	EC.content
A	NEW	LLDONG	05/10/2017	

⊗: QUALITY CONTROL ITEM	GENERAL TOLERANCE	PART NO.:
APPROVED	X±0.38 X:±2'	FDB-DB15-3403
CHECKED	.XX±0.25 .X:±1'	TITLE:RJ45,1*2 CONN,W/LED,8P8C 10/100,FILTER
DRAWN	.XXX±0.13	
	UNIT: mm	SCALE: 1:1
		SHEET: 2/3
		REV.: A

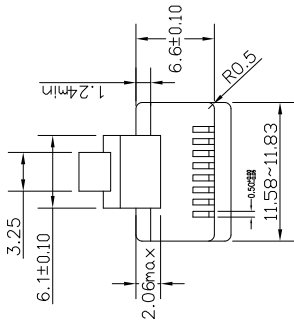
FUCHENG

說明: △:備註 ◇:版本變更 ⊕:尺寸序號

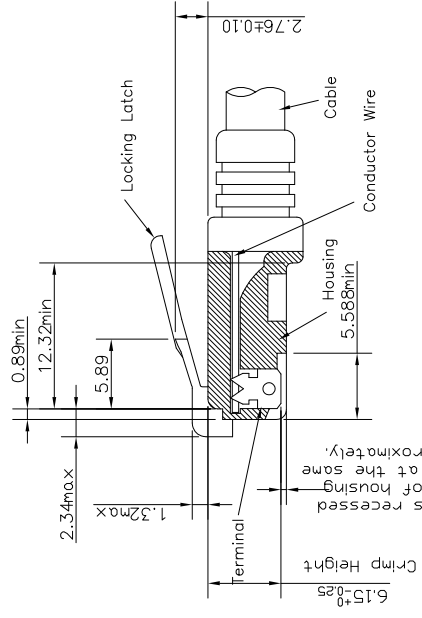
■:重點尺寸 ▼:CPK尺寸

DOCUMENT NO. : ZER0013/A.3

SIZE: A4

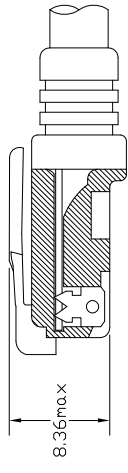


\* There must be no damage to housing or locking latch. There must be no nicks or cuts in cable.  
 \* Durability : 750 cycles generally



FOLLOW SPECIFICATION : FCC, PART 68, SUBPART F FIGURE 68.500 (C)(2)(i) AND IEC 603-7 FIGURE 23 & 24

STANDARD MODULAR PLUG ASSEMBLY



FOLLOW SPECIFICATION : FCC, PART 68, SUBPART F FIGURE 68.500 (C)(2)(ii)

REV.	ECN. NO.	DRAWN	DATE	EC.content
A	NEW	LLDONG	05/10/2017	

⊗: QUALITY CONTROL ITEM		GENERAL TOLERANCE	PART NO.:
APPROVED		X±0.38 .XX±0.25 .XXX±0.13	FDB-DB15-3403
CHECKED		X:±1 .X:±1 .XXX±0.13	TITLE:RJ45,1*2 CONN,W/LED,8P8C 10/100,FILTER
DRAWN		UNIT: mm	SCALE: 1:1
			SHEET: 3/3
			REV.: A

FUCHENG