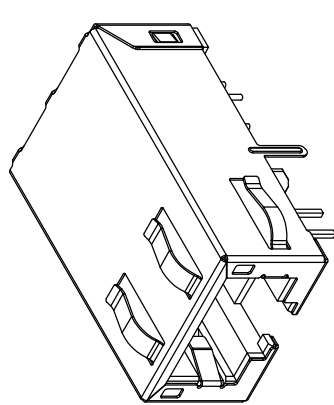
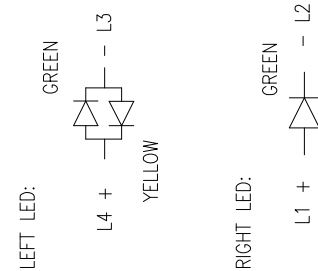
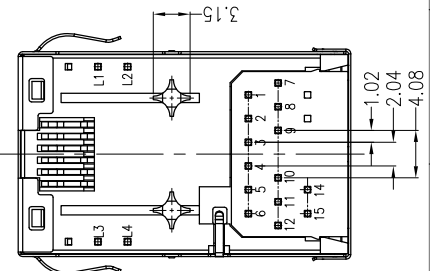
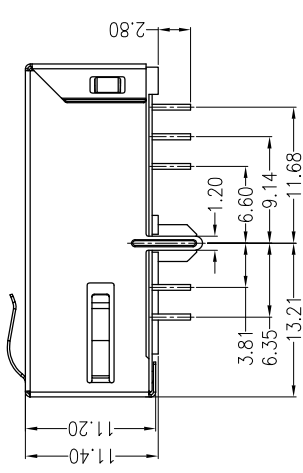
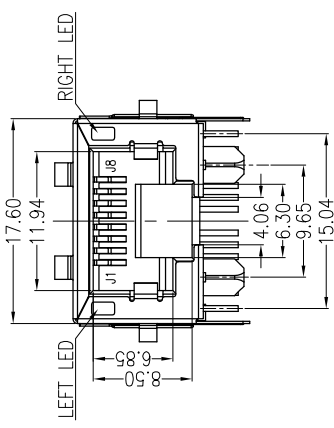
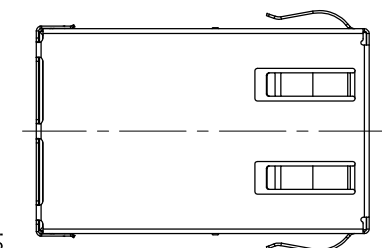


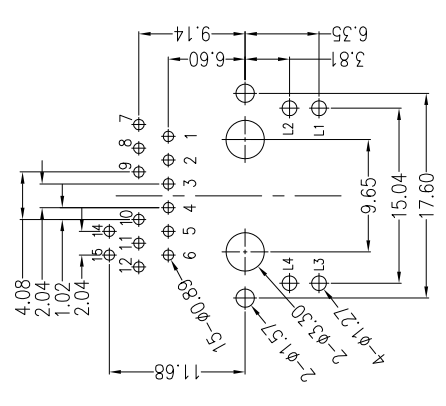
1 2 3 4 5 6 7 8

F E D C B

1. MECHANICAL DIMENSIONS :



2. PCB LAYOUT :



PCB LAYOUT TOLERANCE:±0.05 (TOP VIEW)

NOTES:

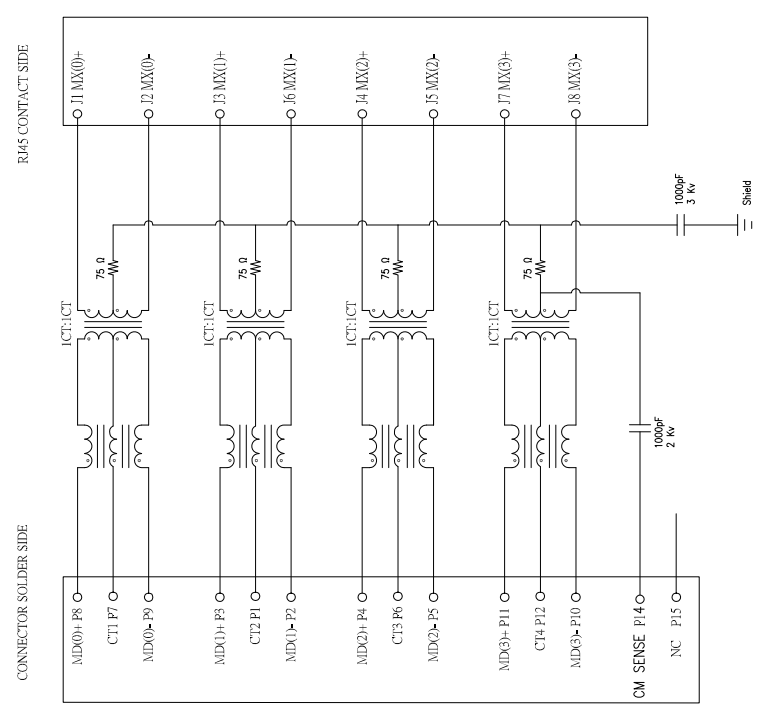
- 1.MATERIAL:  
HOUSING:LCP,BLACK,UL 94V-0  
CONTACT:PHOSPHOR BRONZE,T=0.30mm.  
SHELL:BRASS,T=0.20mm.
- 2.FINISH:  
CONTACT:50µ"MIN. NICKEL UNDERPLATING ALL AREA,  
100µ"MIN. TIN ON SOLDERTAILS,  
15µ" MIN GOLD PLATING ON CONTACT AREA .  
SHELL:30µ"MIN. NICKEL PRE-PLATING ALL AREA .
- 3.OPERATING TEMPERATURE:0°C~+70°C.
- 4.JACK CAVITY CONFORMS TO FCC RULES AND REGULATIONS PART 68, SUBPART F

REV.	ECN. NO.	DRAWN	DATE	EC.content
A.0	NEW	LIJUN	06/27/2017	

⊗: QUALITY CONTROL ITEM	GENERAL TOLERANCE	PART NO.:
APPROVED	X±0.38 X:±2'	FDC-CA42358C8
CHECKED	.XX±0.25 .X:±1'	TITLE:RJ45 CONN W/ LED
DRAWN	.XXX±0.13	10G Base-T,FILTER

FUCHENG

3. SCHEMATIC:



E-CONN PART NO:

F D C - C A 4 2 3 5 8 C 8

REV.	ECN. NO.	DRAWN	DATE	EC.content
A.0	NEW	LIJIN	06/27/2017	

FUCHENG

4. ELECTRICAL CHARACTERISTICS:

- TEST NOTES:(0°~70° C)
- TR:(100KHz,0.1V); 100%  
PINS:(P8,P9):(I1,I2)=1:±3%;(P3,P2):(O3,I6)=1:±3%  
PINS:(P4,P5):(I4,I5)=1:±3%;(P11,P10):(O7,I8)=1:±3%
  - LX:(100KHz,100mV,8mA, DC Bias) 100%  
PINS:(P8,P9):(P3,P2)=160nH MINIMUM  
PINS:(P4,P5),(P11,P10)=160nH MINIMUM
  - DCR: 100%  
PINS:(I1,I2),(O3,I6)=1.2 MAXIMUM  
PINS:(O4,I5),(O7,I8)=1.2 MAXIMUM
  - HIPOUT: 100%  
PINS:(P8,P9)TO(I1,I2),(P3,P2)TO(O3,I6)=1500VAC FOR 60 SECONDS  
PINS:(P4,P5)TO(I1,I2),(P11,P10)TO(O3,I6)=1500VAC FOR 60 SECONDS
  - INSERTION LOSS:  
-0.7dB MAXIMUM AT 1MHz TO 200MHz;  
-1.4dB MAXIMUM AT 200MHz TO 400MHz;  
6. RETURN LOSS:  
-22dB MINIMUM AT 1MHz TO 100MHz;  
-22±18.27\*log(Freq MHz/100MHz) dB MINIMUM AT 100MHz TO 500MHz
  - CROSS TALK:  
-28dB MINIMUM AT 1MHz TO 100MHz  
-19dB MINIMUM AT 100MHz TO 500MHz  
8. COMMON TO COMMON MODE REJECTION:  
-30dB MINIMUM AT 1MHz TO 40MHz  
-28dB MINIMUM AT 40MHz TO 100MHz  
-26dB MINIMUM AT 100MHz TO 500MHz
  - CM TO DM CONVERSION:  
-30dB MINIMUM AT 1MHz TO 250MHz  
-22dB MINIMUM AT 250MHz TO 500MHz

⊗: QUALITY CONTROL ITEM	GENERAL TOLERANCE	PART NO.:
APPROVED	X±0.38 X:±2'	FDC-CA42358C8
CHECKED	.XX±0.25 .X:±1'	TITLE:RJ45 CONN W/ LED
DRAWN	.XXX±0.13	10G Base-T,FILTER
	UNIT: mm	SCALE: 1:1
		SHEET: 2/2
		REV.: A.0