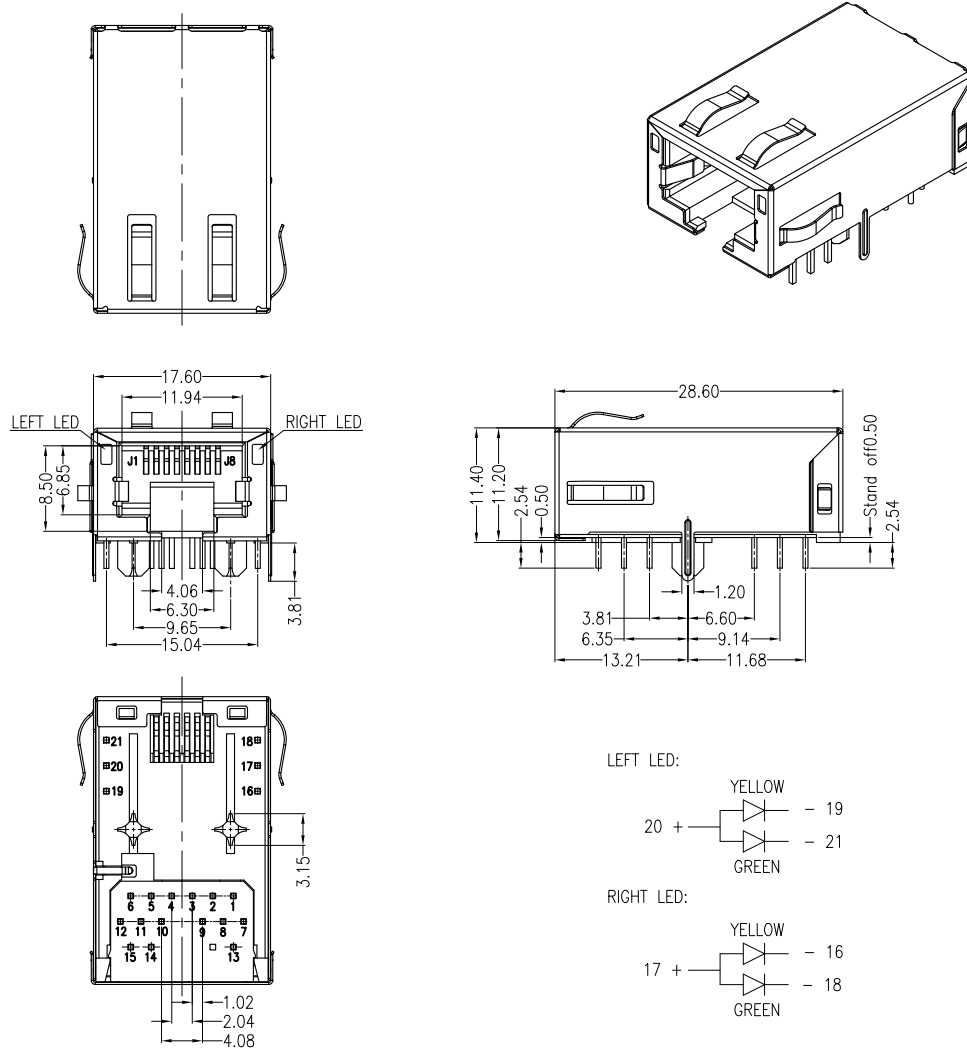


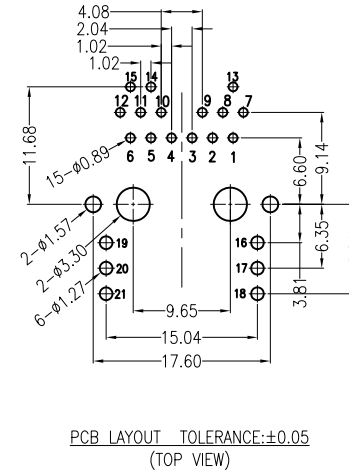
REACH & RoHS  
COMPLIANT

REV.	ECN / DESCRIPTION	BY	DATE
A0	NEW	MQ.Qu	2018.05.21

1. MECHANICAL DIMENSIONS :




2. PCB LAYOUT :



NOTES:

- MATERIAL:  
HOUSING:LCP,BLACK,UL 94V-0  
CONTACT:PHOSPHOR BRONZE,T=0.30mm.  
SHELL:BRASS,T=0.20mm.
- FINISH:  
CONTACT:50u"MIN. NICKEL UNDERPLATING ALL AREA,  
100u"MIN. TIN ON SOLDER TAILS,  
50u" MIN GOLD PLATING ON CONTACT AREA .  
SHELL:30u"MIN. NICKEL PRE-PLATING ALL AREA.
- OPERATING TEMPERATURE:0°C~+70°C.
- JACK CAVITY CONFORMS TO FCC RULES AND REGULATIONS PART 68, SUBPART F

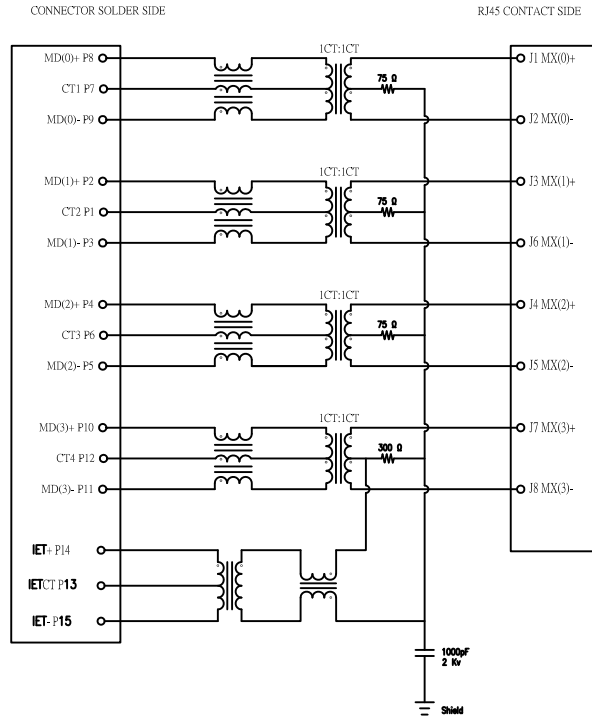
 东莞市浚程电子科技有限公司  
DONG GUAN FU CHENG ELECTRONIC TECHNOLOGY Co., LTD

TITLE:	SIZE	UNITS	GENERAL TOLERANCES		APPROVED BY:
RJ45 CONN W/ LED 10G Base-T, FILTER	A4	MM[INCH]	UNLESS SPECIFIED		JP.Gong
PART NO.:	SACLE	REV	x±0.35	x°±3.0°	CHECKED BY:
FDC-CA4A-78C6	1:1	A0	.x±0.30	.x°±2.0°	TW.Xu
REMARK:	SHEET		.xx±0.25	.xx°±1.5°	DESIGN BY:
	1/3		.xxx±0.10	.xxx°±1.0°	MQ.Qu

REACH & RoHS  
COMPLIANT

REV.	ECN / DESCRIPTION	BY	DATE
A0	NEW	MQ.Qu	2018.05.21

3. SCHEMATIC:



E-CONN PART NO:

F D C - C A 4 A - 7 8 C 6

SHELL CODE  
ALL SPRING

HOUSING CODE  
LCP, BLACK

LED COLOR OPTION  
LEFT LED: GR/YE  
RIGHT LED: GR/YE

CIRCUIT TYPE

PLATING CODE  
GOLD 50u"

4. ELECTRICAL CHARACTERISTICS :

TEST NOTES:(0°~70°C)

1. TR:(100KHz,0.1V); 100%

PINS:(P8,P9):(J1,J2)=1:1±3%;(P2,P3):(J3,J6)=1:1±3%

PINS:(P4,P5):(J4,J5)=1:1±3%;(P10,P11):(J7,J8)=1:1±3%

2. LX:(100KHz,100mV,8mA, DC Bias) 100%

PINS:(P8,P9),(P2,P3)=160uH MINIMUM

PINS:(P4,P5),(P10,P11)=160uH MINIMUM

3. DCR: 100%

PINS:(J1,J2),(J3,J6)=1.2 MAXIMUM

PINS:(J4,J5),(J7,J8)=1.2 MAXIMUM

4. HIPOT: 100%

PINS(P8,P9)TO(J1,J2),(P2,P3)TO(J3,J6)=1500VAC FOR 60 SECONDS

PINS(P4,P5)TO(J1,J2),(P10,P11)TO(J3,J6)=1500VAC FOR 60 SECONDS

5. INSERTION LOSS:

-0.7dB MAXIMUM AT 1MHz TO 200MHz;

-1.4dB MAXIMUM AT 200MHz TO 400MHz;

-3.0dB MAXIMUM AT 400MHz TO 500MHz;

6. RETURN LOSS:

-20dB MINIMUM AT 1MHz TO 100MHz;

-20+18.27\*log(Freq MHz/100MHz) dB MINIMUM AT 100MHz TO 500MHz

7. CROSS TALK:

-30dB MINIMUM AT 1MHz TO 200MHz

-25dB MINIMUM AT 200MHz TO 500MHz

8. COMMON TO COMMON MODE REJECTION:

-30dB MINIMUM AT 1MHz TO 200MHz

-20dB MINIMUM AT 200MHz TO 500MHz

9. CM TO DM CONVERSION:

-30dB MINIMUM AT 1MHz TO 200MHz

-20dB MINIMUM AT 200MHz TO 500MHz

TITLE:  
RJ45 CONN W/ LED 10G Base-T, FILTER

SIZE  
A4

UNITS  
MM[INCH]

GENERAL TOLERANCES  
UNLESS SPECIFIED

APPROVED BY:  
JP.Gong

PART NO.:  
FDC-CA4A-78C6

SACLE  
1:1

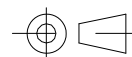
REV  
A0

.x±0.35  
.x°±3.0°

CHECKED BY:  
TW.Xu

REMARK:

SHEET  
1/3



.xx±0.25  
.xx°±1.5°  
.xxx±0.10  
.xxx°±1.0°

DESIGND BY:  
MQ.Qu

 东莞市浚程电子科技有限公司  
DONG GUAN FU CHENG ELECTRONIC TECHNOLOGY Co., LTD

REACH & RoHS  
COMPLIANT

REV.	ECN / DESCRIPTION	BY	DATE
A0	NEW	MQ.Qu	2018.05.21

## Можно сделать с подвесными LED

Number	LEFT LED		RIGHT LED		Number	LEFT LED		RIGHT LED		Number	LEFT LED		RIGHT LED		Number	LEFT LED		RIGHT LED	
	L4+ L3-	L4- L3+	L2+ L1-	L2- L1+		L4+ L3-	L4- L3+	L2+ L1-	L2- L1+		L4+ L3-	L4- L3+	L2+ L1-	L2- L1+		L4+ L3-	L4- L3+	L2+ L1-	L2- L1+
1	YELLOW		GREEN		N	GREEN	ORANGE	YELLOW		21	GREEN				41	BLUE		BLUE	
2	YELLOW			GREEN	P	ORANGE	GREEN		YELLOW	22	GREEN	ORANGE	ORANGE		42	RED		RED	
3	GREEN			YELLOW	Q	ORANGE	GREEN	YELLOW		23	GREEN	YELLOW		GREEN	99	RED		YELLOW	
4	GREEN		YELLOW		R	GREEN		GREEN	ORANGE	24	GREEN	YELLOW	YELLOW		43		GREEN		ORANGE
5	GREEN		GREEN		S	YELLOW	GREEN	GREEN		25	ORANGE	GREEN	ORANGE	GREEN	44	WHITE		WHITE	
6	YELLOW		YELLOW		T	GREEN		ORANGE		26	上层YELLOW(极性L4+ L3-), 下层(极性L2+ L1-) 乍板26专用				45	WHITE		GREEN	YELLOW
7		GREEN		YELLOW	U	GREEN	ORANGE	GREEN		27	GREEN	AMBER	GREEN		46	GREEN	AMBER	GREEN	AMBER
8	YELLOW	GREEN	YELLOW	GREEN	V		GREEN	YELLOW	ORANGE	28	YELLOW		YELLOW	GREEN	47		GREEN	GREEN	
9		GREEN	YELLOW		W	YELLOW			ORANGE	29	GREEN		YELLOW	GREEN	48		RED		GREEN
A	GREEN	YELLOW	GREEN	YELLOW	Y	YELLOW		ORANGE	GREEN	30	ORANGE	GREEN		GREEN	49	ORANGE		YELLOW	
A1	GREEN 525±5 nm	YELLOW 590±5 nm	GREEN 525±5 nm	YELLOW 590±5 nm	11	ORANGE		GREEN		31	YELLOW		GREEN	YELLOW	50		GREEN		
B	YELLOW		GREEN	ORANGE	12	ORANGE	YELLOW	GREEN		32	BLUE		GREEN		51	GREEN	RED	YELLOW	GREEN
C	ORANGE	YELLOW		GREEN	13	BLUE	YELLOW			33	RED		YELLOW	GREEN	52	GREEN	YELLOW	ORANGE	
D	GREEN		GREEN	YELLOW	14	GREEN		BLUE	YELLOW	34		GREEN	YELLOW	GREEN	53	YELLOW		ORANGE	
G	GREEN	ORANGE	GREEN	ORANGE	15			BLUE	YELLOW	35	AMBER	GREEN	AMBER	GREEN	54	RED		GREEN	
H	GREEN	YELLOW	GREEN		16			GREEN		36		GREEN		GREEN	55	GREEN		ORANGE	GREEN
J		YELLOW	ORANGE	GREEN	17	GREEN		AMBER		37	RED	GREEN	RED	GREEN					
K	GREEN		RED		18	GREEN	YELLOW			38		ORANGE		ORANGE					
L		YELLOW		GREEN	19	GREEN	YELLOW	GREEN	ORANGE	39	GREEN	ORANGE							
M		AMBER		GREEN	20	AMBER		GREEN		40	YELLOW	GREEN							



东莞市涪程电子科技有限公司  
DONG GUAN FU CHENG ELECTRONIC TECHNOLOGY Co., LTD

TITLE:  
RJ45 CONN W/ LED 10G Base-T, FILTER

SIZE  
A4

UNITS  
MM[INCH]

GENERAL TOLERANCES  
UNLESS SPECIFIED

APPROVED BY:  
JP.Gong

PART NO.:  
FDC-CA4A-78C6

SACLE  
1:1

REV  
A0

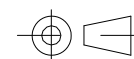
x±0.35  
.x±0.30

x°±3.0°  
.x°±2.0°

CHECKED BY:  
TW.Xu

REMARK:

SHEET  
1/3



.xx±0.25  
.xxx±0.10

.xx°±1.5°  
.xxx°±1.0°

DESIGND BY:  
MQ.Qu