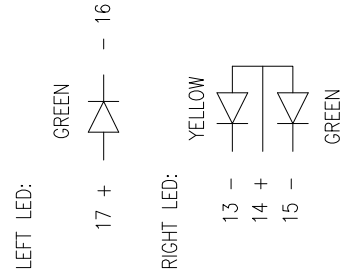
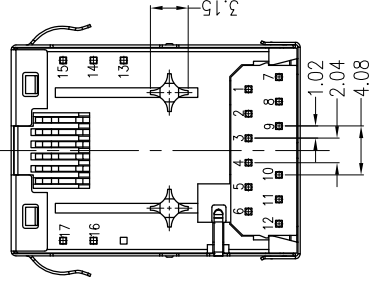
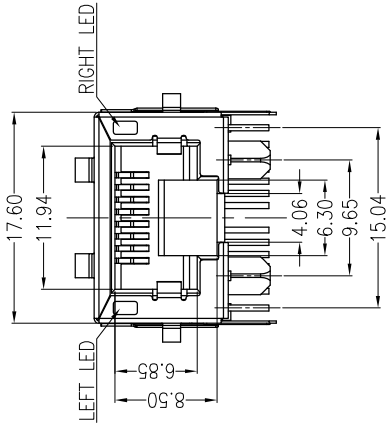
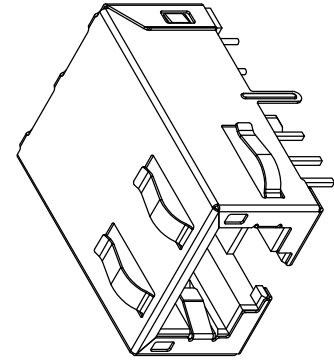
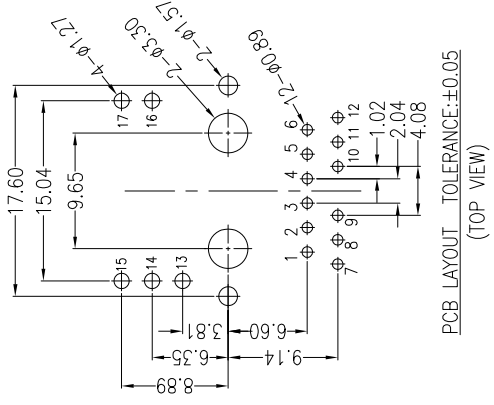


1. MECHANICAL DIMENSIONS :



2. PCB LAYOUT :



PCB LAYOUT TOLERANCE:±0.05 (TOP VIEW)

NOTES:

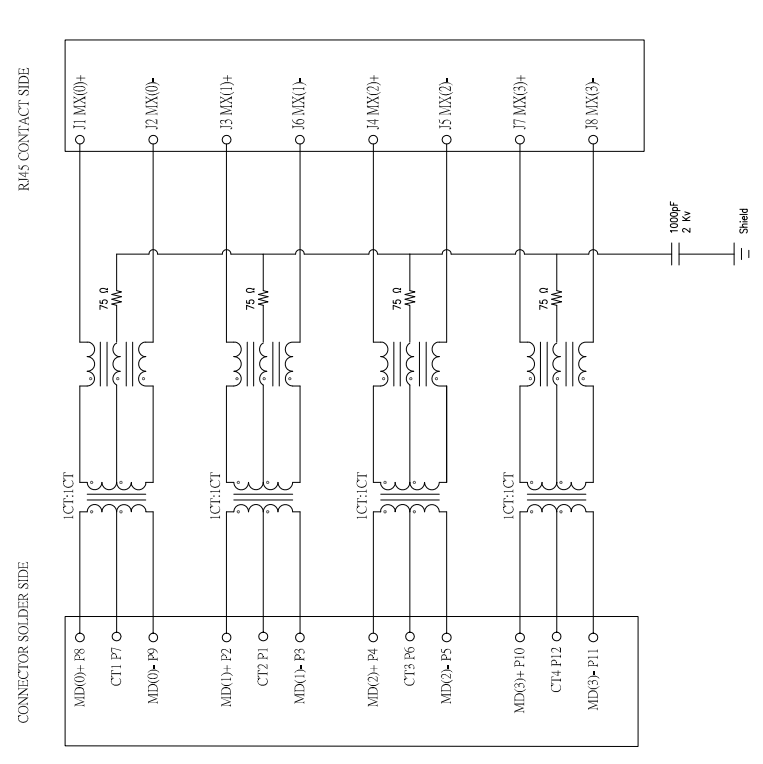
- 1.MATERIAL:
HOUSING:LCP,BLACK,UL 94V-0
CONTACT:PHOSPHOR BRONZE,T=0.30mm.
SHELL:BRASS,T=0.20mm.
- 2.FINISH:
CONTACT:50u"MIN. NICKEL UNDERPLATING ALL AREA,
100u"MIN. TIN ON SOLDERTAILS,
15u"MIN GOLD PLATING ON CONTACT AREA .
SHELL:30u"MIN. NICKEL PRE-PLATING ALL AREA.
3.OPERATING TEMPERATURE:0°C~+70°C.
4.JACK CAVITY CONFORMS TO FCC RULES AND REGULATIONS PART 68, SUBPART F

REV.	ECN. NO.	DRAWN	DATE	EC.content
A.0	NEW	Tony	07/04/2017	

⊗: QUALITY CONTROL ITEM	GENERAL TOLERANCE	PART NO.:
APPROVED	X:± 0.38 .XX± 0.25 .XXX± 0.13	FDD-CA4D-58C9
CHECKED		TITLE:RJ45 CONN W/ LED, 8P12C HOLE:10000MBPS,FILTER
DRAWN	UNIT: mm	SCALE: 1:1

FUCHENG

3. SCHEMATIC:



E-CONN PART NO:

F D D - C A 4 D - 5 8 C 9

SHELL CODE
ALL SPRING

HOUSING CODE
LCP, BLACK

LED COLOR OPTION
LEFT LED: GREEN
RIGHT LED: GR/YE

CIRCUIT TYPE

PLATING CODE
GOLD 15u"

4. ELECTRICAL CHARACTERISTICS:

TEST NOTES: (0°~70°C)

- TR: (100KHz, 0.1V); 100%
PINS: (P8, P9); (J1, J2)=1:±3%; (P2, P3); (J3, J6)=1:1±3%
PINS: (P4, P5); (J4, J5)=1:±3%; (P10, P11); (J7, J8)=1:1±3%
- LX: (100KHz, 100mV, 8mA, DC Bias) 100%
PINS: (P8, P9); (P2, P3)=160nH MINIMUM
PINS: (P4, P5); (P10, P11)=160nH MINIMUM
- DCR: 100%
PINS: (J1, J2); (J3, J6)=1.2 Ω MAXIMUM
PINS: (J4, J5); (J7, J8)=1.2 Ω MAXIMUM
- HIPOT: 100%
PINS: (P8, P9) TO (J1, J2); (P2, P3) TO (J3, J6)=1500V AC FOR 60 SECONDS
PINS: (P4, P5) TO (J1, J2); (P10, P11) TO (J3, J6)=1500V AC FOR 60 SECONDS
- INSERTION LOSS:
-0.7dB MAXIMUM AT 1MHz TO 200MHz;
-1.4dB MAXIMUM AT 200MHz TO 400MHz;
- RETURN LOSS:
-22dB MINIMUM AT 1MHz TO 100MHz;
-22+18.27*log(Freq MHz/100MHz) dB MINIMUM AT 100MHz TO 500MHz
- CROSS TALK:
-28dB MINIMUM AT 1MHz TO 100MHz
-19dB MINIMUM AT 100MHz TO 500MHz
- COMMON TO COMMON MODE REJECTION:
-30dB MINIMUM AT 1MHz TO 40MHz
-28dB MINIMUM AT 40MHz TO 100MHz
-26dB MINIMUM AT 100MHz TO 500MHz
- CM TO DM CONVERSION:
-30dB MINIMUM AT 1MHz TO 250MHz
-22dB MINIMUM AT 250MHz TO 500MHz

REV.	ECN. NO.	DRAWN	DATE	EC.content
A.0	NEW	Tony	07/04/2017	

FUCHENG

⊗: QUALITY CONTROL ITEM	GENERAL TOLERANCE	PART NO.:
APPROVED	X: ± 0.38 X1: ± 2'	FDD-CA4D-58C9
CHECKED	.XX ± 0.25 .XXX ± 0.13	TITLE: RJ45 CONN W/ LED, 8P12C HOLE: 10000MBPS, FILTER
DRAWN	UNIT: mm	SCALE: 1:1
		SHEET: 2/2
		REV.: A.0