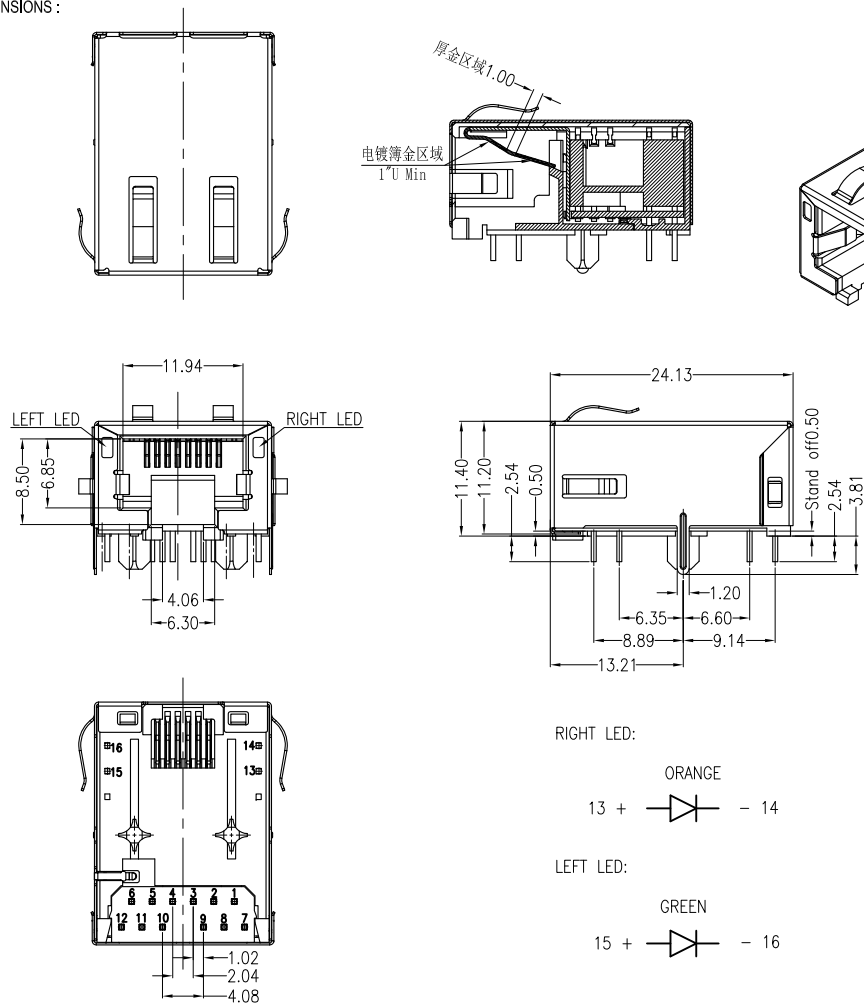


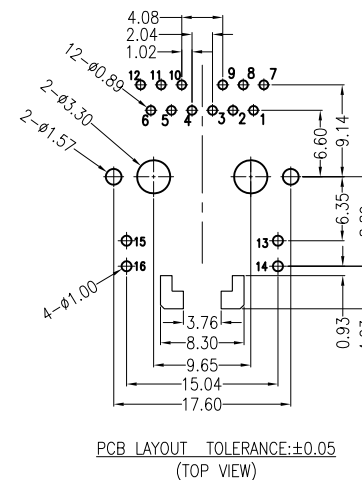
REACH & RoHS  
COMPLIANT

REV.	ECN / DESCRIPTION	BY	DATE
A0	NEW	MQ.Qu	2018.05.21

1. MECHANICAL DIMENSIONS :



2. PCB LAYOUT :



NOTES:

1.MATERIAL:

HOUSING:LCP,BLACK,UL 94V-0  
CONTACT:PHOSPHOR BRONZE,T=0.30mm.  
SHELL:BRASS,T=0.20mm.


2.FINISH:

CONTACT:50u"MIN. NICKEL UNDERPLATING ALL AREA,  
100u"MIN. TIN ON SOLDERTAILS,  
6u"MIN GOLD PLATING ON CONTACT AREA .  
SHELL:30u"MIN. NICKEL PRE-PLATING ALL AREA.

3.OPERATING TEMPERTURE:0°C~+70°C.

4.JACK CAVITY CONFORMS TO FCC RULES AND  
REGULATIONS PART 68, SUBPART F

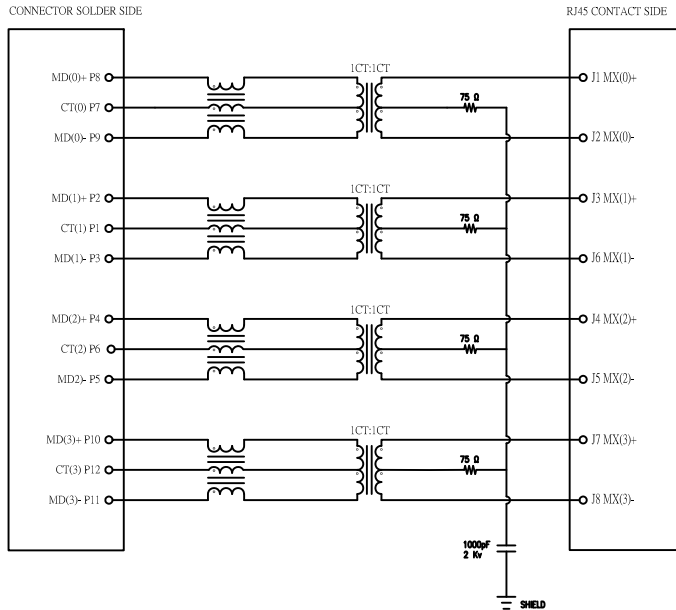
 东莞市涪程电子科技有限公司  
DONG GUAN FU CHENG ELECTRONIC TECHNOLOGY Co., LTD

TITLE: RJ45 CONN W/ LED, 8P12C 100/1000Mbps FILTER	SIZE A4	UNITS MM[INCH]	GENERAL TOLERANCES UNLESS SPECIFIED		APPROVED BY: JP.Gong
PART NO.: FDD-CA4T-48D1	SACLE 1:1	REV A0	x±0.35	x°±3.0°	CHECKED BY: TW.Xu
REMARK:	SHEET 1/3		.xx±0.25	.xx°±1.5°	DESIGND BY: MQ.Qu
			.xxx±0.10	.xxx°±1.0°	

REACH & RoHS  
COMPLIANT

REV.	ECN / DESCRIPTION	BY	DATE
A0	NEW	MQ.Qu	2018.05.21

3. SCHEMATIC:



E-CONN PART NO:

F D D - C A 4 T - 4 8 D 1

SHELL CODE  
ALL SPRING

HOUSING CODE  
LCP, BLACK

LED COLOR OPTION  
LEFT LED: GREEN  
RIGHT LED: ORANGE

CIRCUIT TYPE

PLATING CODE  
GOLD 15u"

4. ELECTRICAL CHARACTERISTICS :

TEST NOTES: (0°~70°C)

- TR: (100KHz, 0.1V); 100%  
PINS: (P8, P9): (J1, J2) = 1:1 ± 3%; (P2, P3): (J3, J6) = 1:1 ± 3%  
PINS: (P4, P5): (J4, J5) = 1:1 ± 3%; (P10, P11): (J7, J8) = 1:1 ± 3%
- LX: (100KHz, 100mV, 8mA, DC Bias) 100%  
PINS: (P8, P9), (P2, P3) = 360uH MINIMUM  
PINS: (P4, P5), (P10, P11) = 360uH MINIMUM
- DCR: 100%  
PINS: (J1, J2), (J3, J6) = 1.2 Ω MAXIMUM  
PINS: (J4, J5), (J7, J8) = 1.2 Ω MAXIMUM
- HIPOT: 100%  
PINS (P8, P9) TO (J1, J2), (P2, P3) TO (J3, J6) = 1500VAC FOR 60 SECONDS  
PINS (P4, P5) TO (J4, J5), (P10, P11) TO (J7, J8) = 1500VAC FOR 60 SECONDS
- INSERTION LOSS:  
-1.0dB MAXIMUM AT 1MHz TO 100MHz;
- RETURN LOSS:  
-20dB MINIMUM AT 1MHz TO 30MHz;  
-16dB MINIMUM AT 30MHz TO 60MHz  
-12dB MINIMUM AT 60MHz TO 80MHz  
-10dB MINIMUM AT 80MHz TO 100MHz
- CROSS TALK:  
-30dB MINIMUM AT 1MHz TO 100MHz
- COMMON TO COMMON MODE REJECTION:  
-30dB MINIMUM AT 1MHz TO 100MHz



东莞市涪程电子科技有限公司

DONG GUAN FU CHENG ELECTRONIC TECHNOLOGY Co., LTD

TITLE:  
RJ45 CONN W/ LED, 8P12C  
100/1000Mbps FILTER

PART NO.:  
FDD-CA4T-48D1

REMARK:

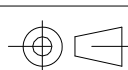
SIZE  
A4

SACLE  
1:1

SHEET  
1/3

UNITS  
MM[INCH]

REV  
A0



GENERAL TOLERANCES  
UNLESS SPECIFIED

x±0.35	x°±3.0°
.x±0.30	.x°±2.0°
.xx±0.25	.xx°±1.5°
.xxx±0.10	.xxx°±1.0°

APPROVED BY:  
JP.Gong

CHECKED BY:  
TW.Xu

DESIGND BY:  
MQ.Qu

REACH & RoHS  
COMPLIANT

REV.	ECN / DESCRIPTION	BY	DATE
A0	NEW	MQ.Qu	2018.05.21

## Можно сделать с подвесными LED

Number	LEFT LED		RIGHT LED		Number	LEFT LED		RIGHT LED		Number	LEFT LED		RIGHT LED		Number	LEFT LED		RIGHT LED	
	L4+ L3-	L4- L3+	L2+ L1-	L2- L1+		L4+ L3-	L4- L3+	L2+ L1-	L2- L1+		L4+ L3-	L4- L3+	L2+ L1-	L2- L1+		L4+ L3-	L4- L3+	L2+ L1-	L2- L1+
1	YELLOW		GREEN		N	GREEN	ORANGE	YELLOW		21	GREEN				41	BLUE		BLUE	
2	YELLOW			GREEN	P	ORANGE	GREEN		YELLOW	22	GREEN	ORANGE	ORANGE		42	RED		RED	
3	GREEN			YELLOW	Q	ORANGE	GREEN	YELLOW		23	GREEN	YELLOW		GREEN	99	RED		YELLOW	
4	GREEN		YELLOW		R	GREEN		GREEN	ORANGE	24	GREEN	YELLOW	YELLOW		43		GREEN		ORANGE
5	GREEN		GREEN		S	YELLOW	GREEN	GREEN		25	ORANGE	GREEN	ORANGE	GREEN	44	WHITE		WHITE	
6	YELLOW		YELLOW		T	GREEN		ORANGE		26	上层YELLOW(极性L4+ L3-) , 下层(极性L2+ L1-) 乍板206专用				45	WHITE		GREEN	YELLOW
7		GREEN		YELLOW	U	GREEN	ORANGE	GREEN		27	GREEN	AMBER	GREEN		46	GREEN	AMBER	GREEN	AMBER
8	YELLOW	GREEN	YELLOW	GREEN	V		GREEN	YELLOW	ORANGE	28	YELLOW		YELLOW	GREEN	47		GREEN	GREEN	
9		GREEN	YELLOW		W	YELLOW			ORANGE	29	GREEN		YELLOW	GREEN	48		RED		GREEN
A	GREEN	YELLOW	GREEN	YELLOW	Y	YELLOW		ORANGE	GREEN	30	ORANGE	GREEN		GREEN	49	ORANGE		YELLOW	
A1	GREEN 525±5 nm	YELLOW 590±3 nm	GREEN 525±5 nm	YELLOW 590±3 nm	11	ORANGE		GREEN		31	YELLOW		GREEN	YELLOW	50		GREEN		
B	YELLOW		GREEN	ORANGE	12	ORANGE	YELLOW	GREEN		32	BLUE		GREEN		51	GREEN	RED	YELLOW	GREEN
C	ORANGE	YELLOW		GREEN	13	BLUE	YELLOW			33	RED		YELLOW	GREEN	52	GREEN	YELLOW	ORANGE	
D	GREEN		GREEN	YELLOW	14	GREEN		BLUE	YELLOW	34		GREEN	YELLOW	GREEN	53	YELLOW		ORANGE	
G	GREEN	ORANGE	GREEN	ORANGE	15			BLUE	YELLOW	35	AMBER	GREEN	AMBER	GREEN	54	RED		GREEN	
H	GREEN	YELLOW	GREEN		16			GREEN		36		GREEN		GREEN	55	GREEN		ORANGE	GREEN
J		YELLOW	ORANGE	GREEN	17	GREEN		AMBER		37	RED	GREEN	RED	GREEN					
K	GREEN		RED		18	GREEN	YELLOW			38		ORANGE		ORANGE					
L		YELLOW		GREEN	19	GREEN	YELLOW	GREEN	ORANGE	39	GREEN	ORANGE							
M		AMBER		GREEN	20	AMBER		GREEN		40	YELLOW	GREEN							



东莞市涪程电子科技有限公司  
DONG GUAN FU CHENG ELECTRONIC TECHNOLOGY Co., LTD

TITLE:  
RJ45 CONN W/ LED 10G Base-T, FILTER

PART NO.:  
FDC-CA4A-78C6

REMARK:

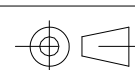
SIZE  
A4

SACLE  
1:1

SHEET  
1/3

UNITS  
MM[INCH]

REV  
A0



GENERAL TOLERANCES  
UNLESS SPECIFIED

$x \pm 0.35$	$x^\circ \pm 3.0^\circ$
$.x \pm 0.30$	$.x^\circ \pm 2.0^\circ$
$.xx \pm 0.25$	$.xx^\circ \pm 1.5^\circ$
$.xxx \pm 0.10$	$.xxx^\circ \pm 1.0^\circ$

APPROVED BY:  
JP.Gong

CHECKED BY:  
TW.Xu

DESIGND BY:  
MQ.Qu