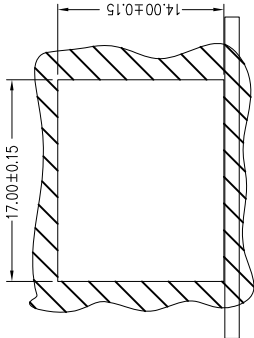
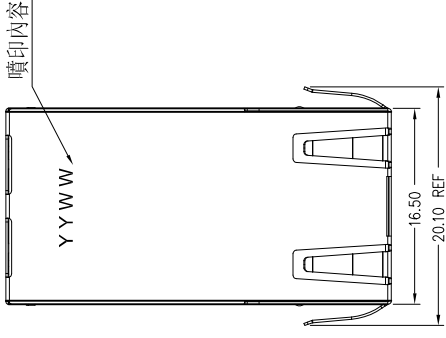
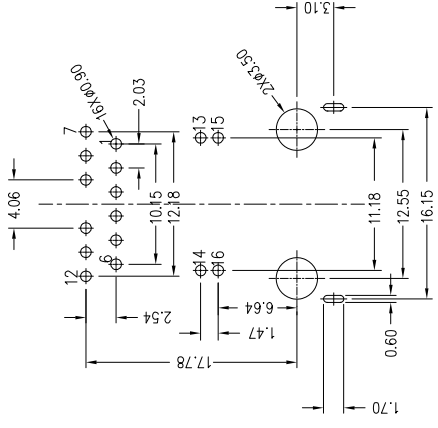
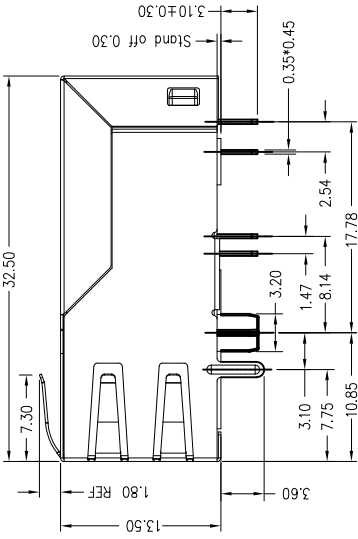
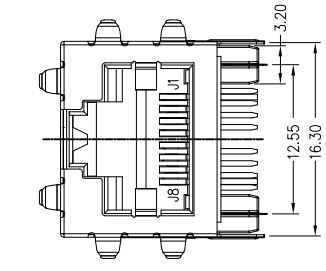


1. MECHANICAL DIMENSIONS :



RECOMMENDED  
PANEL OPENING



SUGGESTED PCB LAYOUT

DIMENSIONAL TOLERANCE: .XX ±0.05[0.002]

NOTES:

1. MATERIAL:  
HOUSING: HIGH TEMP. THERMOPLASTIC, BLACK, UL 94V-0  
CONTACT: PHOSPHOR BRONZE, T=0.30mm.  
SHELL: BRASS, T=0.20mm.
2. FINISH:  
CONTACT: 50u" MIN. NICKEL UNDERPLATING ALL AREA,  
100u" MIN. TIN ON SOLDER TAILS,  
PLATING 30u" MIN GOLD ON CONTACT AREA  
SHELL: 30u" MIN. NICKEL PRE-PLATING ALL AREA  
3. OPERATING TEMPERATURE: 0C~+70°C.  
4. JACK CAVITY CONFORMS TO FCC RULES AND  
REGULATIONS PART 68, SUBPART F

| REV. | ECN. NO. | DRAWN | DATE       | EC.content |
|------|----------|-------|------------|------------|
| A    | NEW      | Tony  | 06/28/2017 |            |
|      |          |       |            |            |
|      |          |       |            |            |

FUCHENG

| ⊗: QUALITY CONTROL ITEM |  | GENERAL TOLERANCE         | PART NO.:  |
|-------------------------|--|---------------------------|--|
| APPROVED                |  | X: ± 0.38<br>X: ± 2'      | FTC-CA10-68P8                                    |
| CHECKED                 |  | .XX ± 0.25<br>.XXX ± 0.13 | TITLE: RJ45, CONNECTORS, W/LED<br>10G+POE FILTER |
| DRAWN                   |  |                           |  |

說明: △:備註 ◇:版本變更 ⊕:尺寸變更 ⊖:尺寸序號 ■:重點尺寸 ▼:CPK尺寸

UNIT: mm

SCALE: 1:1

SHEET: 1/2

REV.: A

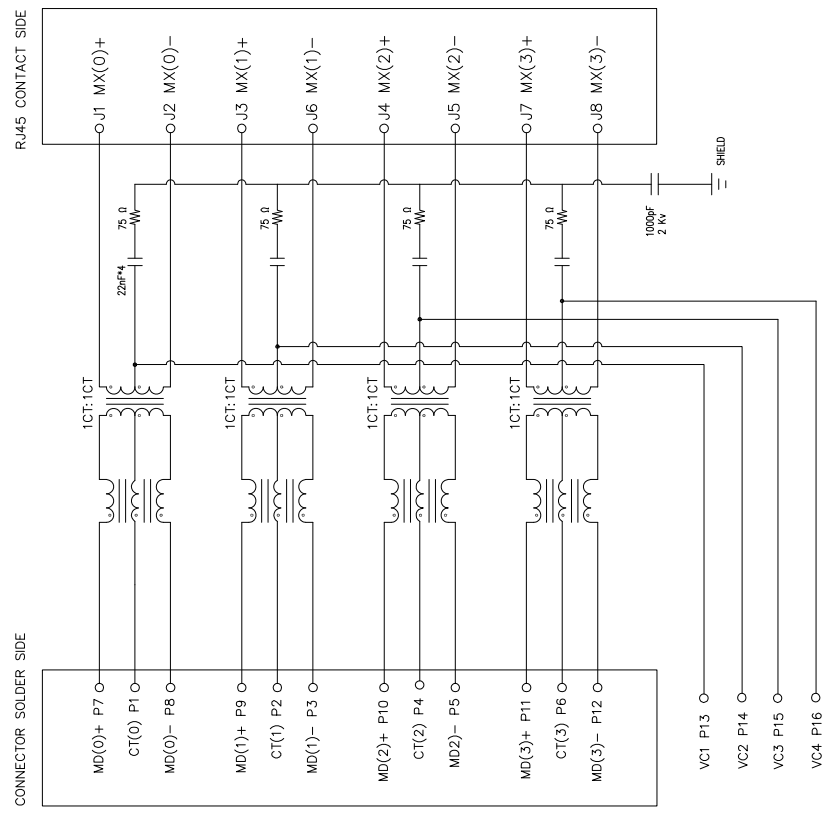
1

2

3

DOCUMENT NO. : ZER0013/A.3

3. SCHEMATIC:



E-CONN PART NO:

F T C - C A 1 0 - 6 8 P 8

SHELL CODE \_\_\_\_\_ CIRCUIT TYPE \_\_\_\_\_  
 HOUSING CODE \_\_\_\_\_ PLATING CODE \_\_\_\_\_  
 LED COLOR OPTION \_\_\_\_\_

4. ELECTRICAL CHARACTERISTICS :

TEST NOTES: (25±5°C)

1. TR: (100KHz, 0.1V); 100%
- PINS: (P7, P8): (J1, J2)=1:1±3%; (P9, P3): (J3, J6)=1:1±3%
- PINS: (P10, P5): (J4, J5)=1:1±3%; (P11, P12): (J7, J8)=1:1±3%
2. LX: (100KHz, 100mV, 8mA, DC Bias) 100%
- PINS: (P7, P8), (P9, P3), (P10, P5), (P11, P12)=160uH MINIMUM
3. DCR: 100%
- PINS: (J1, J2), (J3, J6), (J4, J5), (J7, J8)=1.2 Ω MAXIMUM
4. HIPOT: 100%
- PINS (P7, P8) TO (J1, J2), (P9, P3) TO (J3, J6)=1500VAC FOR 2 SECONDS
- PINS (P10, P5) TO (J4, J5), (P11, P12) TO (J7, J8)=1500VAC FOR 2 SECONDS
5. INSERTION LOSS:
  - 1.0dB MAXIMUM AT 1MHZ TO 200MHZ;
  - 2.0dB MAXIMUM AT 200MHZ TO 400MHZ;
  - 3.0dB MAXIMUM AT 400MHZ TO 500MHZ;
6. RETURN LOSS:
  - 20dB MINIMUM AT 1MHZ TO 40MHZ;
  - 20+15\*LOG(FREQ MHZ/40MHZ) dB MINIMUM AT 40MHZ TO 200MHZ
7. CROSS TALK:
  - 30dB MINIMUM AT 1MHZ TO 100MHZ
  - 25dB MINIMUM AT 100MHZ TO 200MHZ
  - 20dB MINIMUM AT 200MHZ TO 500MHZ
8. COMMON TO COMMON MODE REJECTION:
  - 25dB MINIMUM AT 1MHZ TO 100MHZ
  - 20dB MINIMUM AT 100MHZ TO 500MHZ
9. CM TO DM REJECTION:
  - 30dB MINIMUM AT 1MHZ TO 500MHZ
10. Balanced DC LINE CURRENT
  - 600mA MAX@48V DC CONTINUOUS

| REV. | ECN. NO. | DRAWN | DATE       | EC.content |
|------|----------|-------|------------|------------|
| A    | NEW      | Tony  | 06/28/2017 |            |
|      |          |       |            |            |
|      |          |       |            |            |

FUCHENG

| ⊗: QUALITY CONTROL ITEM |  | GENERAL TOLERANCE |        | PART NO.: FTC-CA10-68P8        |            |
|-------------------------|--|-------------------|--------|--------------------------------|------------|
| APPROVED                |  | X: ±0.38          | X: ±2' | TITLE: RJ45, CONNECTORS, W/LED |            |
| CHECKED                 |  | .XX ±0.25         | .X ±1' | 10G+POE FILTER                 |            |
| DRAWN                   |  | .XXX ±0.13        |        | SCALE: 1:1                     | SHEET: 2/2 |
|                         |  | UNIT: mm          |        |                                | REV.: A    |

說明: △:備註 ◇:版本變更 ⊗:尺寸變更 ▽:重點尺寸 ◀:CPK尺寸

DOCUMENT NO. : ZER0013/A.3