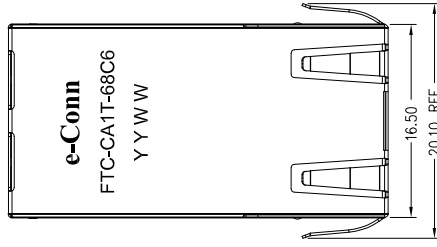
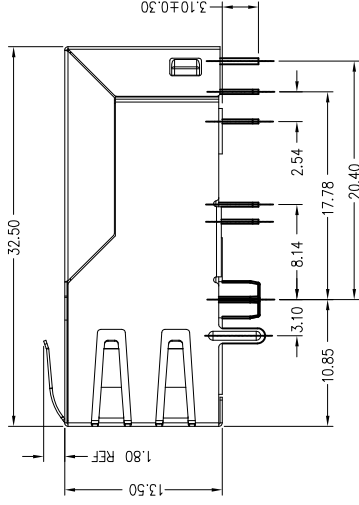
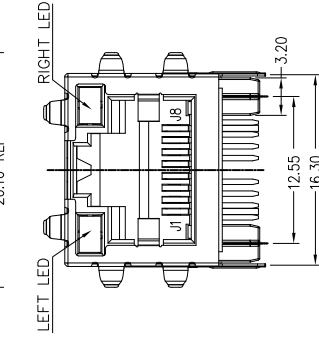


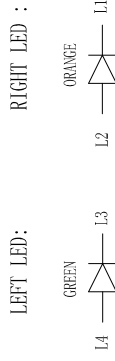
1. MECHANICAL DIMENSIONS :



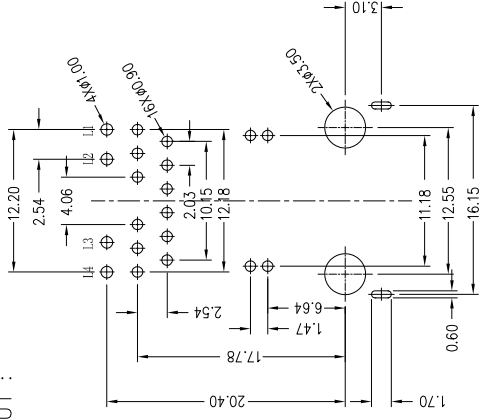
RECOMMENDED
PANEL CUTOUT DIMENSION



LED CONFIGURATION :



2. PCB LAYOUT :



SUGGESTED PCB LAYOUT

DIMENSIONAL TOLERANCE: .XX ±0.05MM

NOTES:

1. MATERIALS:
HOUSING -PBT POLYESTER UL94V-0
MIXED GLASS FIBER.
STANDARD COLOR-BLACK.
CONTACTS -0.35mm THICK PHOS-BRONZE PLATED
WITH 30u' GOLD AND TIN
IN SOLDER AREA.
SHIELD-0.2mm THICK COPPER ALLOY,
PLATED WITH NICKEL.
2. CAVITY CONFIRMS TO FCC RULES AND REGULATIONS
PART 68,SUBPART F.

REV.	ECN. NO.	DRAWN	DATE	EC.content
A	New	Tony	05/23/2017	

⊗: QUALITY CONTROL ITEM	GENERAL TOLERANCE	PART NO.:
APPROVED	X±0.38 X±.2'	FTC-CA1T-68C6
CHECKED	.XX±0.25 .XXX±0.13	TITLE:RJ45,CONN,W/ LED,8P8C 10G Base-T,FILTER
DRAWN	UNIT: mm	SCALE:1:1
		SHEET:1/2
		REV.: A

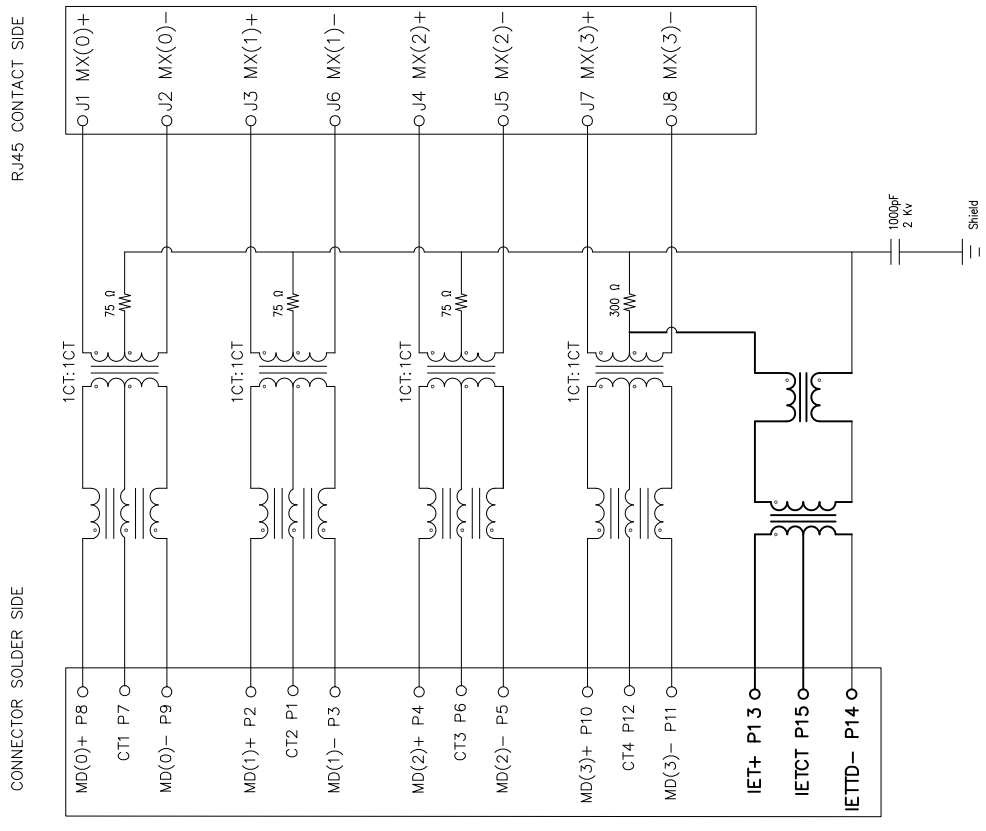
FUCHENG

說明: △:備註 ◇:版本變更 ⊕:尺寸序號 ■:重點尺寸 ▼:CPK尺寸

DOCUMENT NO. : ZER0013/A.3

SIZE: A4

3. SCHEMATIC:



4. ELECTRICAL CHARACTERISTICS:

TEST NOTES: (0~70°C)

- TR: (100KHz,0.1V); 100%
- PINS: (P8,P9): (J1,J2)=1:±3%; (P2,P3): (J3,J6)=1:±3%

PINS: (P4,P5): (J4,J5)=1:±3%; (P10,P11): (J7,J8)=1:±3%
- LX: (100KHz,100mV,8mA, DC Bias) 100%

PINS: (P8,P9),(P2,P3)=160uH MINIMUM

PINS: (P4,P5),(P10,P11)=160uH MINIMUM
- DCR: 100%
- PINS: (J1,J2),(J3,J6)=1.2 Ω MAXIMUM

PINS: (J4,J5),(J7,J8)=1.2 Ω MAXIMUM
- HIPOT: 100%
- PINS(P8,P9)TO(J1,J2),(P2,P3)TO(J3,J6)=1500VAC FOR 60 SECONDS

PINS(P4,P5)TO(J1,J2),(P10,P11)TO(J3,J6)=1500VAC FOR 60 SECONDS
- INSERTION LOSS:
 - 0.7dB MAXIMUM AT 1MHZ TO 200MHZ;
 - 1.1dB MAXIMUM AT 200MHZ TO 400MHZ;
- RETURN LOSS:
 - 18dB MINIMUM AT 1MHZ TO 40MHZ;
 - 20-10*log(Freq MHZ/40MHZ)dB MINIMUM AT 40MHZ TO 400MHZ
 - 8-30*log(Freq MHZ/400MHZ)dB MINIMUM AT 400MHZ TO 500MHZ
- CROSS TALK:
 - 40.04+(Freq MHZ/24.9)dB MINIMUM AT 1MHZ TO 250MHZ
 - 30dB MINIMUM AT 250MHZ TO 500MHZ
- DM TO CM CONVERSION:
 - 48dB MINIMUM AT 1MHZ TO 30MHZ
- CM TO DM CONVERSION:
 - 43.663+18.825*log(Freq MHZ/51)dB MINIMUM AT 30MHZ TO 500MHZ
 - 30dB MINIMUM AT 1MHZ TO 100MHZ
 - 40+(0.1*Freq MHZ)dB MINIMUM AT 100MHZ TO 150MHZ
 - 26.2856+(0.008571*Freq MHZ)dB MINIMUM AT 150MHZ TO 500MHZ
- COMMON TO COMMON MODE REJECTION:
 - 29dB MINIMUM AT 1MHZ TO 150MHZ
 - 32.8571-(0.025714*Freq MHZ)dB MINIMUM AT 150MHZ TO 500MHZ
 - 25-(0.01*Freq MHZ)dB MINIMUM AT 500MHZ TO 1000MHZ

REV.	ECN. NO.	DRAWN	DATE	EC.content
A	New	Tony	05/23/2017	

FUCEHNG

⊗: QUALITY CONTROL ITEM	GENERAL TOLERANCE	PART NO.:
APPROVED	X:±0.38 X:±2	FTC-CA1T-68C6
CHECKED	.XX±0.25 .XXX±0.13	TITLE:RJ45,CONN,W/ LED,8P8C 10G Base-T,FILTER
DRAWN	UNIT: mm	SCALE:1:1
		SHEET:2/2
		REV.: A

說明: △:備註 ◇:版本變更 ⊗:尺寸序號 ■:重點尺寸 ▼:CPK尺寸

1 2 3

DOCUMENT NO. : ZER0013/A.3