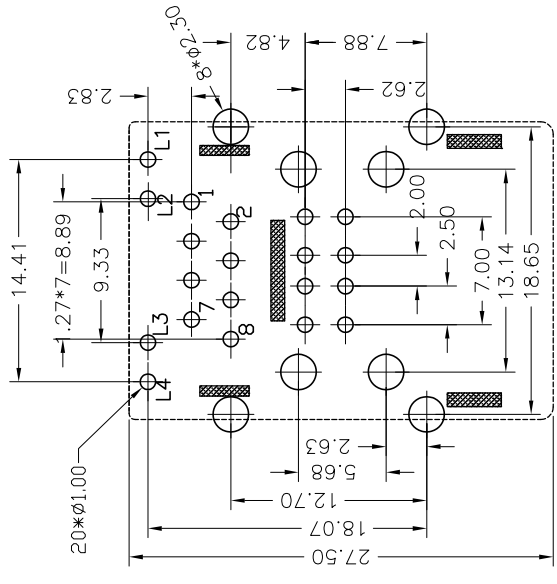
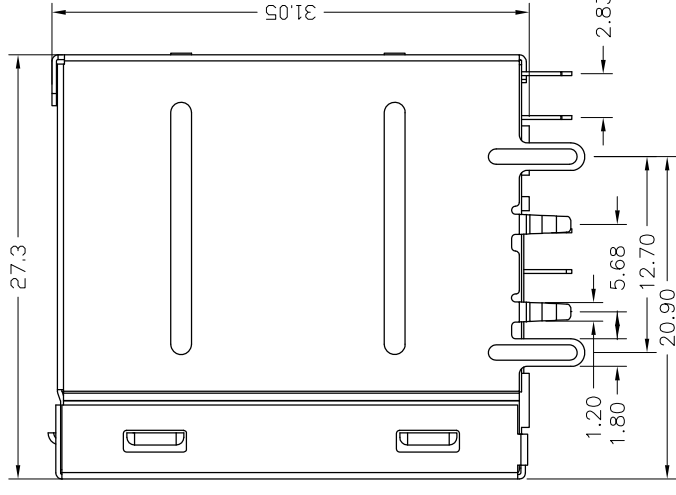
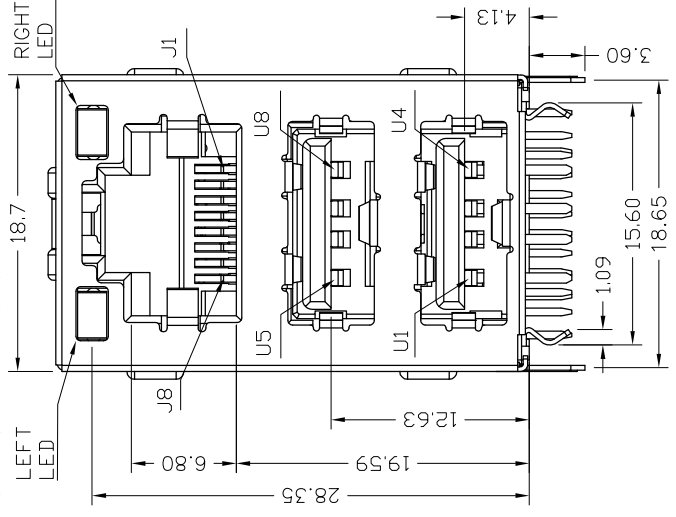


1 2 3 4 5 6 7 8

1. MECHANICAL DIMENSIONS :



RECOMMENED PCB LAYOUT
COMPONENT SIDE
TOLERANCE ±0.05

NOTE:
1. MATERIAL:
RJ45

HOUSING: THERMOPLASTICS,UL94V-0;
SUPPORT: THERMOPLASTICS,UL94V-0;
COVER: THERMOPLASTICS,UL94V-0;
CONTACT: PHOSPHOR BORNE
FRONT SHELL: STAINLESS STEEL,NICKEL PLATED
BACK SHELL: FERRI ALLOY,NICKEL PLATED
USB
HOUSING:THERMOPLASTICS,UL94V-0
CONTACT:PHOSPHOR BORNE

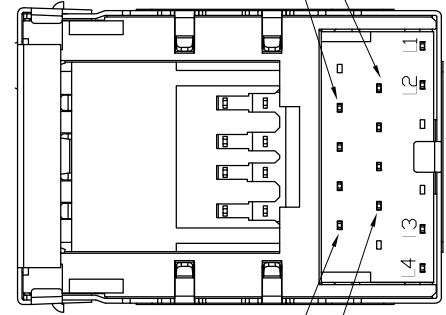
2.FINISH:
USB

CONTACT:G/F GOLD PLATED ON CONTACT AREA,
100u" MIN TIN PLATED ON SOLDER TALLS AREA
50u"MIN,NICKEL UNDERPLATING OVER ALL,
RJ45
CONTACT:G/H GOLD PLATED ON CONTACT AREA,
100u" MIN TIN PALTED ON SOLDER TAILS AREA,
50U' MIN,NICKEL UNDERPLATING OVER ALL,
3. CAVITY CONFIRMS TO FCC RULES AND
REGULATIONS PART 68,SUBPART F,

LEFT LED:
GREEN



RIGHT LED:
YELLOW

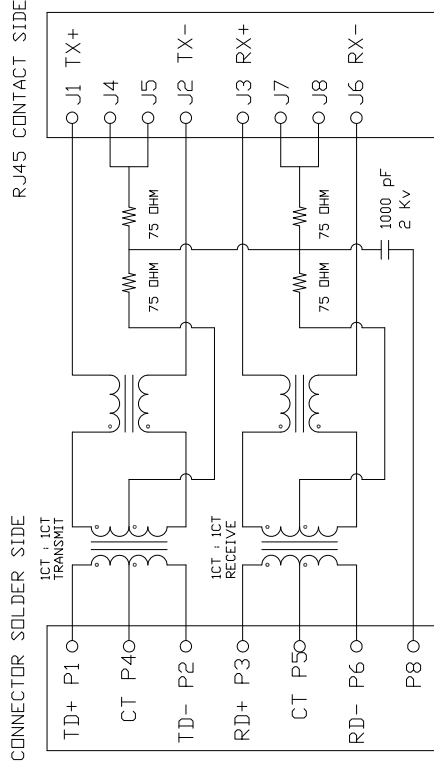


REV.	ECN. NO.	DRAWN	DATE
A	NEW	Tony	08/26/2014

FUCHENG

⊗:QUALITY CONTROL ITEM	GENERAL TOLERANCE	PART NO.:
APPROVED	X:± 0.38 X':± 2'	FUA-CB14-C403
CHECKED	.XX± 0.25 .XXX± 0.13	TITLE:RJ45+USB2.0 CONN,W/LED 10/100Mbps,Filter
DRAWN	UNIT: mm	SCALE:2:1

2.SCHEMATIC:



E-CONN PART NO:

F U A - C B 1 4 - C 4 0 3

SHELL CODE
B: NO SPRING

HOUSING CODE

LED COLOR OPTION

4:左綠右黃

4. ELECTRICAL CHARACTERISTICS :

TEST NOTES:(25°±5°C)

- TR<100KHZ,0.1V> 100%
PINS:<P1,P2>:<J1,J2>=1±3%;<P3,P6>:<J3,J6>=1±3%
- LX:<100KHz,100mV,8mA, DC Bias> 100%
PINS:<P1,P2>,<P3,P6>=350uH MINIMUM
- DCR: 100%
PINS:<J1,J2>,<J3,J6>=1.2Ω MAXIMUM
- HIPOT: 100%
PINS<P1,P2>TO<J1,J2>,<P3,P6>TO<J3,J6>=1500VAC FOR 2 SECONDS

5. INSERTION LOSS:

-1.0dB MAXIMUM AT 1MHZ TO 100MHZ;

6.RETURN LOSS:

-20dB MINIMUM AT 1MHZ TO 30MHZ;

-15dB MINIMUM AT 30MHZ TO 60MHZ

-10dB MINIMUM AT 60MHZ TO 80MHZ

7.CROSS TALK:

-30dB MINIMUM AT 1MHZ TO 100MHZ

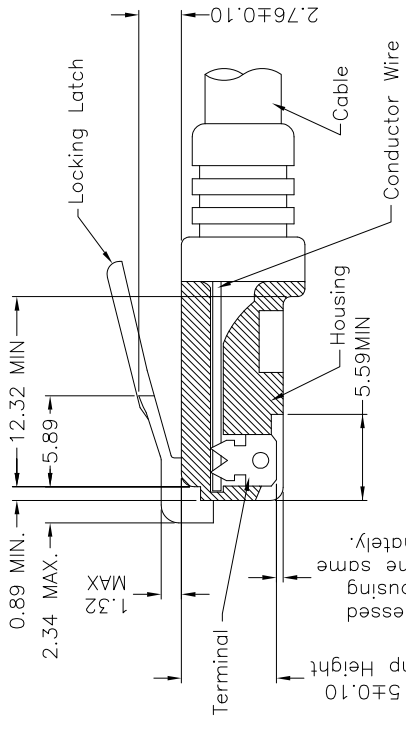
8.COMMON TO COMMON MODE REJECTION:

-30dB MINIMUM AT 1MHZ TO 100MHZ

REV.	ECN. NO.	DRAWN	DATE
A	NEW	Tony	08/26/2014

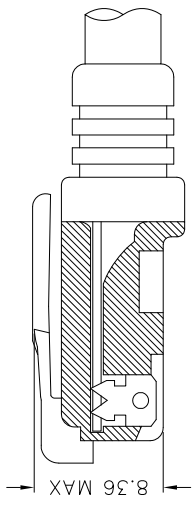
FUCEHNG

⊗:QUALITY CONTROL ITEM	GENERAL TOLERANCE	PART NO.:
APPROVED	X±0.38 X±1 2'	FUA-CB14-C403
CHECKED	.XX±0.25 .X±1'	TITLE:RJ45+USB2.0 CONN,W/LED
DRAWN	.XXX±0.13	10/100MBPS,FILTER
	UNIT: mm	SCALE:2:1
		SHEET:2/3
		REV.: A



All contacts recessed below top of housing and must be at the same height approximately.

FOLLOW SPECIFICATION : FCC, PART 68, SUBPART F FIGURE 68.500 (C)(2)(i) AND IEC 603-7 FIGURE 23 & 24



FOLLOW SPECIFICATION : FCC, PART 68, SUBPART F FIGURE 68.500 (C)(2)(ii)

STANDARD MODULAR PLUG ASSEMBLY

- * There must be no damage to housing or locking latch. There must be no nicks or cuts in cable.
- * Durability : 750 cycles generally

REV.	ECN. NO.	DRAWN	DATE
A	NEW	Tony	08/26/2014

FUCHENG

⊗:QUALITY CONTROL ITEM	GENERAL TOLERANCE	PART NO.:
APPROVED	.X± 0.38 X:± 2'	FUA-CB14-C403
CHECKED	.XX± 0.25 X:± 1'	TITLE:RJ45+USB2.0 CONN,W/LED 10/100Mbps,FILTER
DRAWN	.XXX± 0.13	SCALE:2:1
	UNIT: mm	SHEET: 3/3
		REV.: A