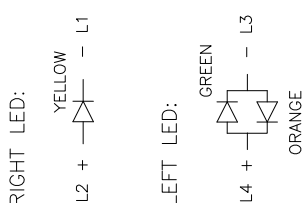


RECOMMENDED PCB LAYOUT  
COMPONENT SIDE  
TOLERANCE  $\pm 0.05$

- NOTES:
1. MATERIAL:  
HOUSING: PBT PLASTIC BLACK (UL94V-0); HF  
CONTACT: PHOSPHOR BORNEZE  
SHELL: SUS201-1/2H T=0.20MM
  2. FINISHED:  
CONTACT:  $50\mu\text{M}$  MIN. NICKEL UNDERPLATING ALL AREA,  
 $100\mu\text{M}$  MIN. TIN ON SOLDER TAILS,  
SELECT G/F PLATING ON CONTACT AREA.
  3. USB MECHANICAL:  
HOUSING: PBT  
CONTACT: PHOSPHOR BORNEZE  
G/F PLATING ON CONTACT AREA  
SHELL: SPCC
  4. JACK CAVITY CONFORMS TO FCC RULES AND REGULATIONS PART 68, SUBPART F

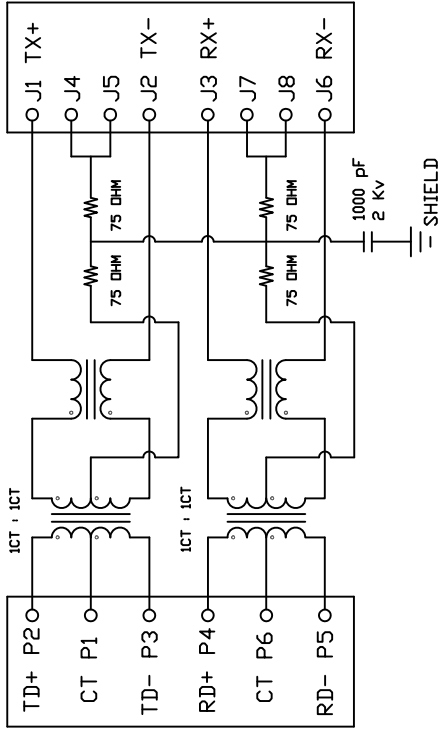


# FUCHENG

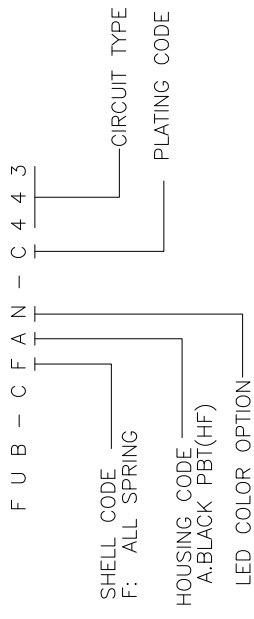
REV.	ECN. NO.	DRAWN	DATE
A	NEW	Tony	07/18/2014

⊗: QUALITY CONTROL ITEM	GENERAL TOLERANCE	PART NO.:
APPROVED	X $\pm$ 0.38 X1 $\pm$ 2'	FUB-CFAN-C443
CHECKED	.XX $\pm$ 0.25 .XXX $\pm$ 0.13	TITLE: RJ45+USB2.0CONN,W/LED 10/100MHZFILTER
DRAWN	UNIT: mm	SCALE: 2:1

CONNECTOR SOLDER SIDE RJ45 CONTACT SIDE



e-CONN PART NO:



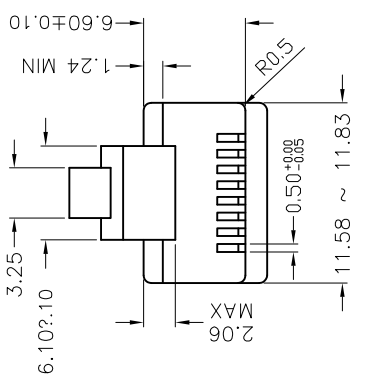
6. ELECTRICAL CHARACTERISTICS :

- TEST NOTES:(25° ±5°C)
- TR:(100KHz,0.1V); 100%  
PINS:(P2,P3):(J1,J2)=1:1±3%;(P4,P5):(J3,J6)=1:1±3%
  - LX:(100KHz,100mV,8mA, DC Bias) 100%  
PINS:(P2,P3),(P4,P5)=350uH MINIMUM
  - DCR: 100%  
PINS:(J1,J2),(J3,J6)=1.2 MAXIMUM
  - HIPOUT: 100%  
PINS(P2,P3)TO(J1,J2),(P4,P5)TO(J3,J6)=1500VAC OR 2250VDC FOR 2 SECONDS
  - INSERTION LOSS:  
-1.0dB MAXIMUM AT 1MHz TO 100MHz;
  - RETURN LOSS:  
-20dB MINIMUM AT 1MHz TO 30MHz;  
-15dB MINIMUM AT 30MHz TO 60MHz  
-10dB MINIMUM AT 60MHz TO 80MHz
  - CROSS TALK:  
-30dB MINIMUM AT 1MHz TO 100MHz  
-30dB MINIMUM AT 1MHz TO 100MHz  
-30dB MINIMUM AT 1MHz TO 100MHz

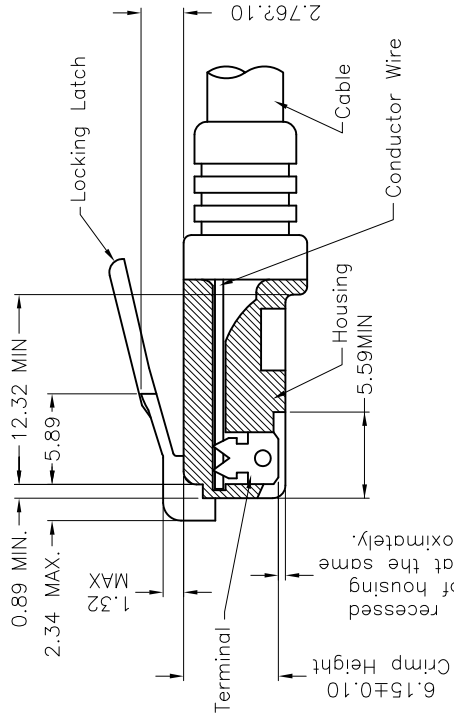
REV.	ECN. NO.	DRAWN	DATE
A	NEW	Tony	07/18/2014

⊗:QUALITY CONTROL ITEM	GENERAL TOLERANCE	PART NO.:
APPROVED	X±0.38 X:±2'	FUB-CFAN-C443
CHECKED	.XX±0.25 :X±1'	TITLE:RJ45+USB2.0CONN,W/LED
DRAWN	.XXX±0.13	10/100MHZFILTER
	UNIT: mm	SCALE:2:1
		SHEET:2/3
		REV.: A

FUCHENG

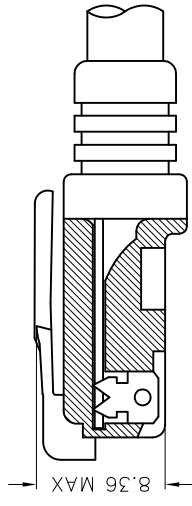


\* There must be no damage to housing or locking latch. There must be no nicks or cuts in cable.  
 \* Durability : 750 cycles generally



All contacts recessed below top of housing height approximately.

FOLLOW SPECIFICATION : FCC, PART 68, SUBPART F FIGURE 68.500 (C)(2)(i) AND IEC 603-7 FIGURE 23 & 24



FOLLOW SPECIFICATION : FCC, PART 68, SUBPART F FIGURE 68.500 (C)(2)(ii)

STANDARD MODULAR PLUG ASSEMBLY

REV.	ECN. NO.	DRAWN	DATE
A	NEW	Tony	07/18/2014

**FUCHENG**

⊗:QUALITY CONTROL ITEM	GENERAL TOLERANCE	PART NO.:
APPROVED	.X± 0.38 X:± 2'	FUB-CFAN-C443
CHECKED	.XX± 0.25 X:± 1'	TITLE:RJ45+USB2.0CONN,W/LED
DRAWN	.XXX± 0.13 X:± 1'	10/100MHZFILTER
UNIT: mm	SCALE:2:1	SHEET: 3/3
REV: A	REVISION SYMBOL	DOCUMENT NO. : ZER0013/A.2