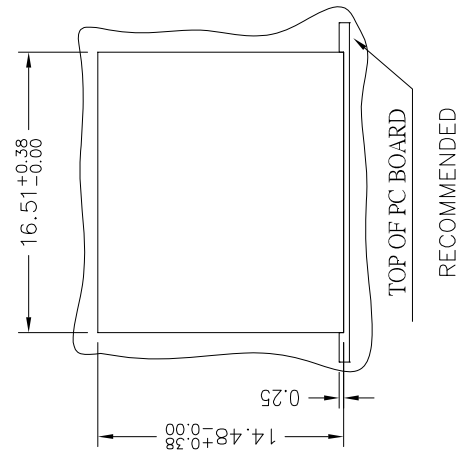
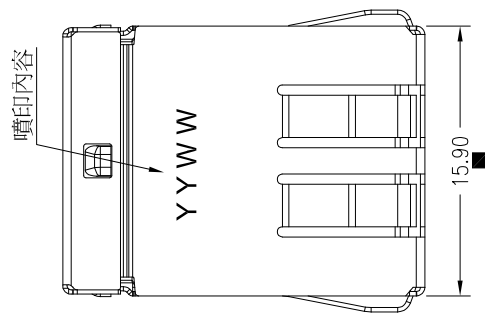


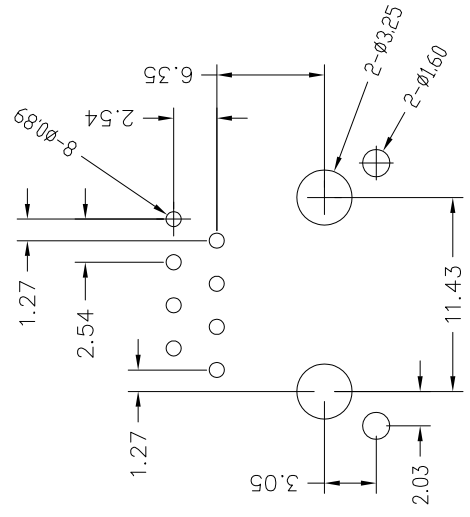
1 2 3 4 5 6 7 8

1. MECHANICAL DIMENSIONS :



P/N RULE:
 JDCA-A 3 2 2-0 0 1 6
 SHELL CODE
 W/ ALL SPRING
 W/O LOGO
 HOUSING:PA46 BLACK
 LED CODE
 W/O LED
 PIN 3.56mm
 GOLD PLATED 30 U"

2. PCB LAYOUT



SUGGESTED PCB LAYOUT

DIMENSIONAL TOLERANCE: XX ±0.05

NOTES:

1. MATERIALS:

HOUSING -PA46 POLYESTER UL94V-0

MIXED GLASS FIBER.

STANDARD COLOR-BLACK.

CONTACTS -0.35mm THICK PHOS-BRONZE PLATED

WITH 30u' GOLD AND TIN

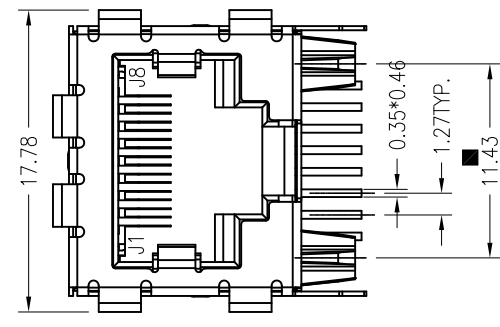
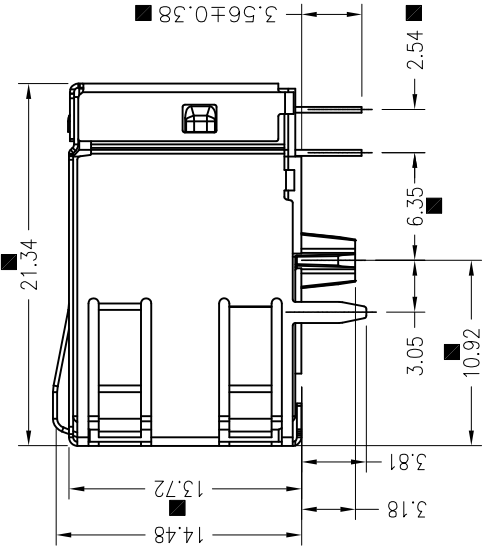
IN SOLDER AREA.

SHIELD -0.25mm THICK COPPER ALLOY,

PLATED WITH BRIGHT-TIN.

2. CAVITY CONFIRMS TO FCC RULES AND REGULATIONS

PART 68,SUBPART F.



REV.	ECN. NO.	DRAWN	DATE	EC.content
A.0	NEW	YYUTING	2016/8/31	

⊗: QUALITY CONTROL ITEM	GENERAL TOLERANCE	PART NO.:
APPROVED	X± 0.38 X: ± 2'	JDCA-A322-0016
CHECKED	.XX± 0.25 .X: ± 1'	TITLE:RJ45,CONNECTORS,W/O,8P8C
DRAWN	.XXX± 0.13	NO FILTER

FUCHENG

說明: △:備註 ◇:版本變更 ⊕:尺寸變更 ■:重點尺寸 ▼:CPK尺寸

DOCUMENT NO. : ZER0013/A.3

SCALE: 1:1

SHEET: 1/1

REV.: A.0

SIZE: A4