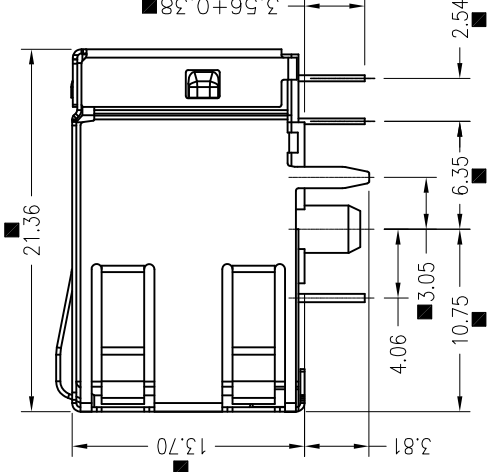
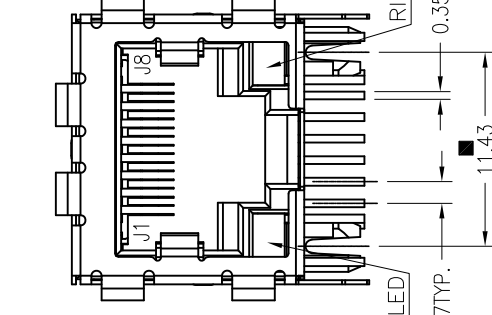
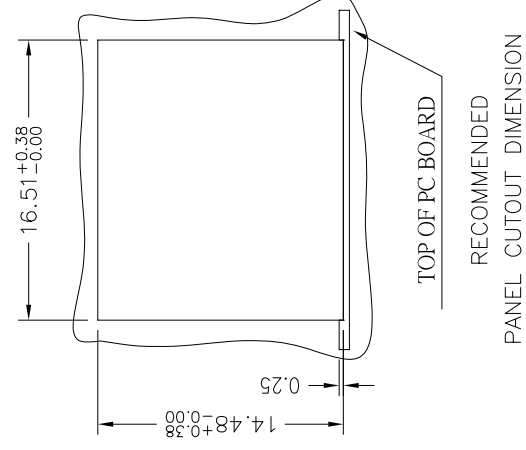
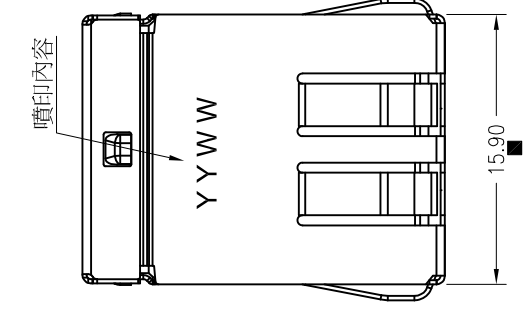
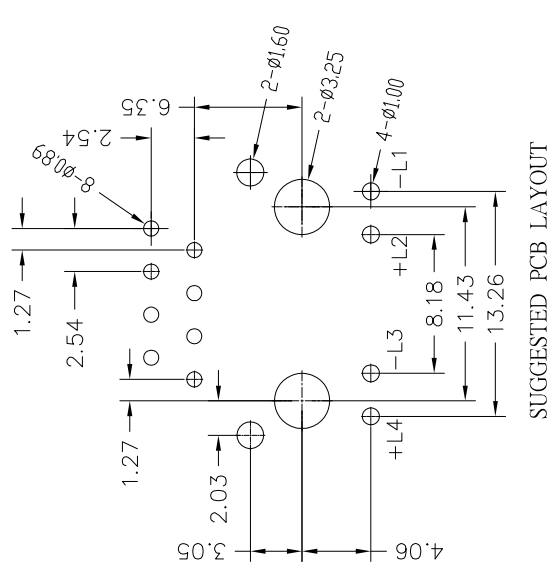


1. MECHANICAL DIMENSIONS :



2. PCB LAYOUT



SUGGESTED PCB LAYOUT

NOTES: DIMENSIONAL TOLERANCE: XX ±0.05

1. MATERIALS:

HOUSING -PBT POLYESTER UL94V-0  
MIXED GLASS FIBER.  
STANDARD COLOR-BLACK .

CONTACTS -0.35mm THICK PHOS-BRONZE PLATED  
WITH G/F " GOLD AND MATTE TIN  
IN SOLDER AREA.

SHIELD -0.25mm THICK COPPER ALLOY,  
PLATED WITH NICKEL.

2. CAVITY CONFIRMS TO FCC RULES AND REGULATIONS

PART 68,SUBPART F.

REV.	ECN. NO.	DRAWN	DATE	EC.content
A.0	NEW	YYting	2017.6.05	

⊗: QUALITY CONTROL ITEM	GENERAL TOLERANCE	PART NO.:
APPROVED	X± 0.38 .XX± 0.25 .XXX± 0.13	JDCA-A411-YG1C
CHECKED	Andy.chou Tony	TITLE:RJ45,CONNECTORS,W/LED,8P8C NO FILTER
DRAWN	YYting	SCALE:1:1

FUCHENG