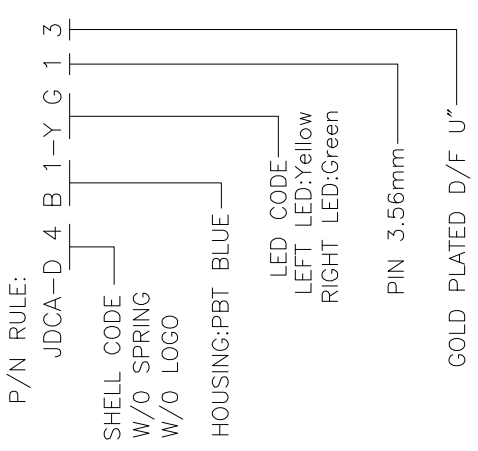
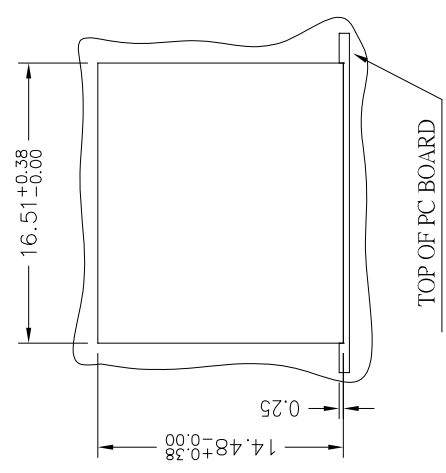
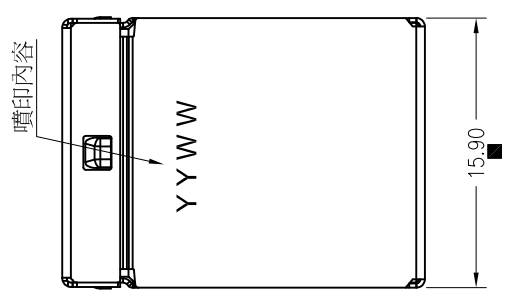
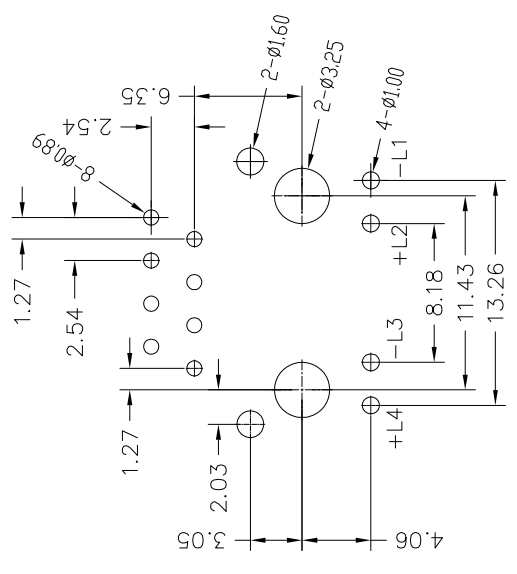


1 2 3 4 5 6 7 8

1. MECHANICAL DIMENSIONS :



2. PCB LAYOUT



SUGGESTED PCB LAYOUT

DIMENSIONAL TOLERANCE: XX ±0.05

NOTES:

1. MATERIALS:

HOUSING -PBT POLYESTER UL94V-0
MIXED GLASS FIBER.
STANDARD COLOR-BLUE(PROCESS BLUE U).

LEFT LED:



RIGHT LED:



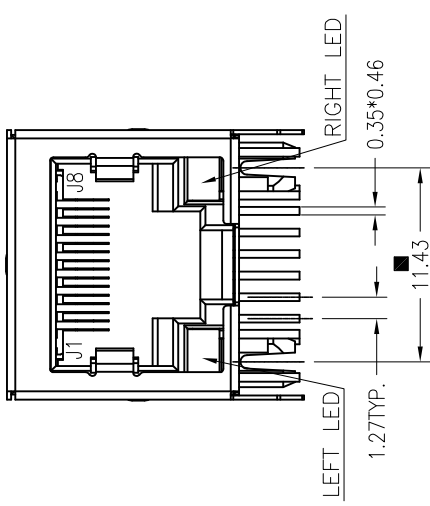
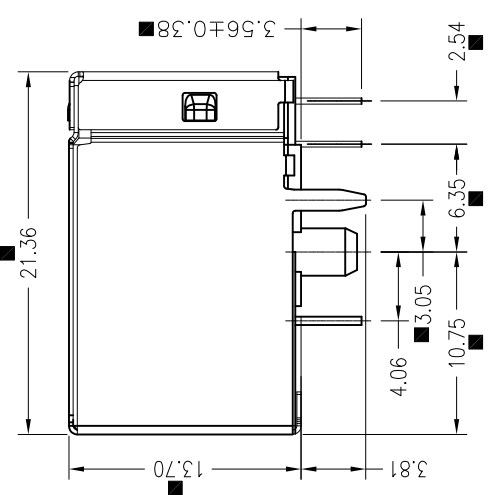
CONTACTS -0.35mm THICK PHOS-BRONZE PLATED

WITH G/F U" GOLD AND TIN
IN SOLDER AREA.

SHIELD -0.25mm THICK COPPER ALLOY,
PLATED WITH NICKEL.

2. CAVITY CONFIRMS TO FCC RULES AND REGULATIONS

PART 68,SUBPART F.



REV.	ECN. NO.	DRAWN	DATE	EC.content
A.0	NEW	YYUTING	2016/8/31	

⊗: QUALITY CONTROL ITEM	GENERAL TOLERANCE	PART NO.:
APPROVED	X±0.38 X:±2	JDCA-D4B1-YG13
CHECKED	.XX±0.25 .X:±1	TITLE:RJ45,CONNECTORS,W/LED,8P8C
DRAWN	.XXX±0.13	NO FILTER
	UNIT: mm	SCALE: 1:1
		SHEET: 1/1
		REV.: A.0

FUCHENG