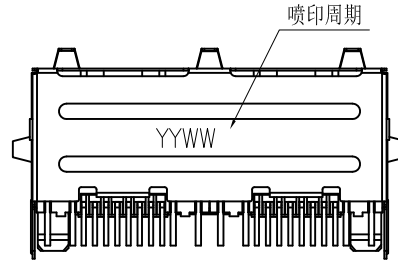
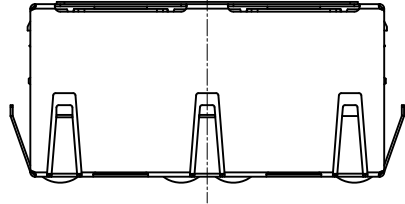
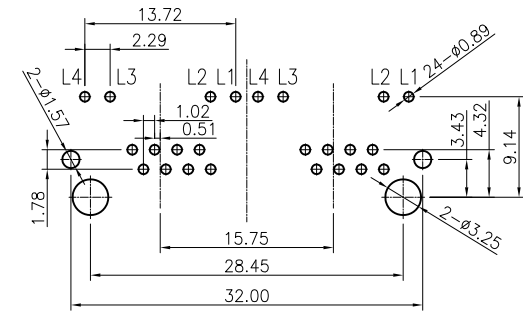


REACH & RoHS  
COMPLIANT

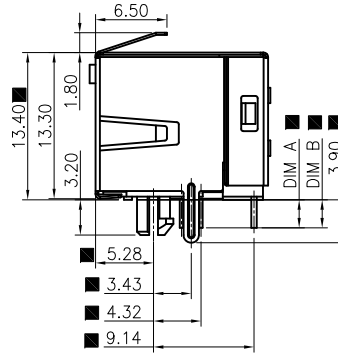
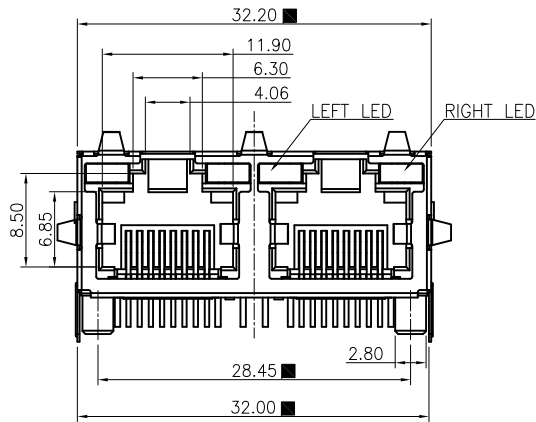
REV.	ECN / DESCRIPTION	BY	DATE
A0	NEW	MQ.Qu	2018.05.21



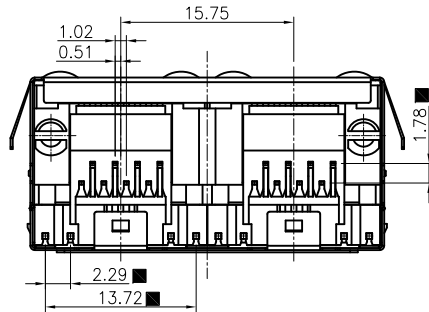
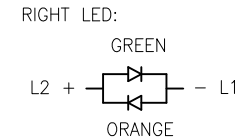
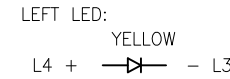
BACK VIEW



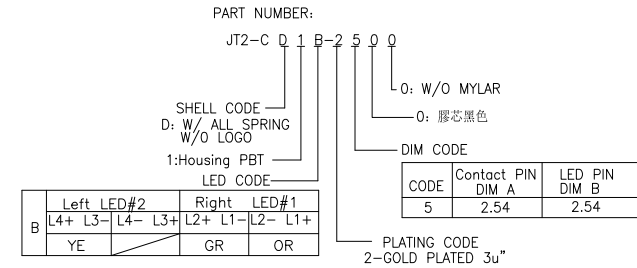
PCB LAYOUT TOLERANCE:±0.05  
TOP VIEW



LED SCHEMATIC:



- NOTES:
- MATERIAL:  
HOUSING: HIGH TEMP. THERMOPLASTIC, UL 94V-0, BLACK.  
CONTACT: PHOSPHOR BRONZE, T=0.30mm,  
50u"MIN NICKEL UNDERPLATE ON ALL AREA,  
100u"MIN TIN TERMINATION END,  
GOLD ON CONTACT AREA.  
SHELL: T=0.20mm COPPER ZINC ALLOY PLATED  
WITH NICKEL
  - OPERATING TEMPERATURE: -40°C ~ +85°C
  - JACK CAVITY CONFORMS TO FCC RULES AND  
REGULATIONS PART 68, SUBPART F



东莞市浚程电子科技有限公司  
DONG GUAN FU CHENG ELECTRONIC TECHNOLOGY Co., LTD

TITLE:	SIZE	UNITS	GENERAL TOLERANCES		APPROVED BY:
RJ45 CONNECTOR JT 1*2 PORT W/ LED, 8P8C, Shielded	A4	MM[INCH]	UNLESS SPECIFIED		JP.Gong
PART NO.:	SACLE	REV	x±0.35	x°±3.0°	CHECKED BY:
JT2-CD1B-2500	1:1	A0	.x±0.30	.x°±2.0°	TW.Xu
REMARK:	SHEET		.xx±0.25	.xx°±1.5°	DESIGND BY:
	1/3		.xxx±0.10	.xxx°±1.0°	MQ.Qu