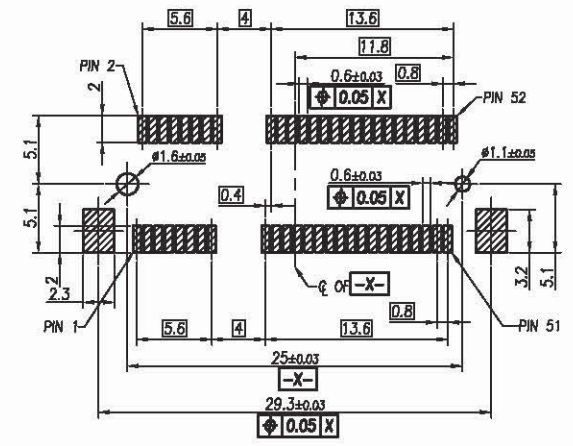


MATING: ① INSERTING(25°) → ② ROTATING → ③ FIXED
 UNMATING: ④ UNFIXED → ⑤ ROTATING → ⑥ WITHDRAWING

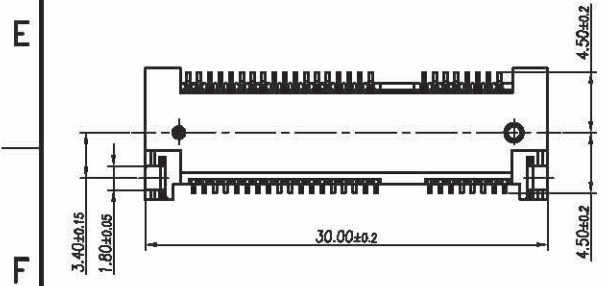
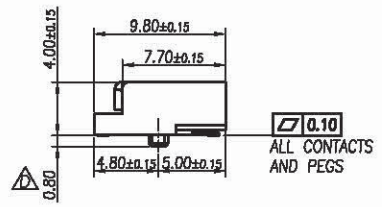
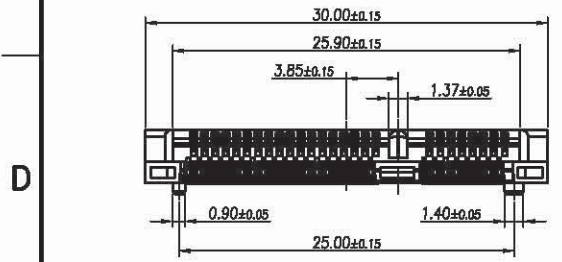
REV.	MODIFICATION	DATE	DRAW
B	ECR-2010021	2010.12.23	Leo
C	ECR-2011005	2011.03.08	Coco
D	ECN-2011050	2011.11.22	Coco

HALOGEN FREE **LEAD FREE**



RECOMMEND PCB LAYOUT(MINIMUM THICKNESS OF THE PCB IS 0.8mm)
 (OTHER TOLERANCES ARE NOT MARKED:±0.03)

- NOTES:
- MATERIAL:
 HOUSING: THERMOPLASTIC, BLACK COLOR, FLAME RESISTANCE UL94-V0.
 CONTACTS: COPPER ALLOY, THICKNESS 0.20mm.
 SOLDER PEGS: COPPER ALLOY, THICKNESS 0.2mm.
 - MSL LEVEL:
 MSL(MOISTURE SENSITIVITY LEVELS)=1
 - FINISHED:
 CONTACTS: GOLD PLATING ON CONTACT AREA AND 50~120u" MATTE TIN PLATING ON SOLDER AREA.
 30~120u" NICKEL UNDER-PLATING OVER ALL.
 SOLDER PEGS: 50~120u" MATTE TIN PLATING OVER 50~120u" NICKEL UNDER-PLATING OVER ALL.
 - PART NUMBER:
 MPCET-S52XX-TP40
 01:GOLD FLASH TP:TAPE REEL
 05:5U" MIN.
 10:10U" MIN.
 15:15U" MIN.
 30:30U" MIN.

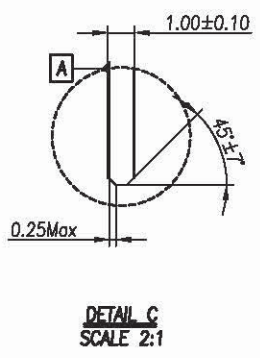
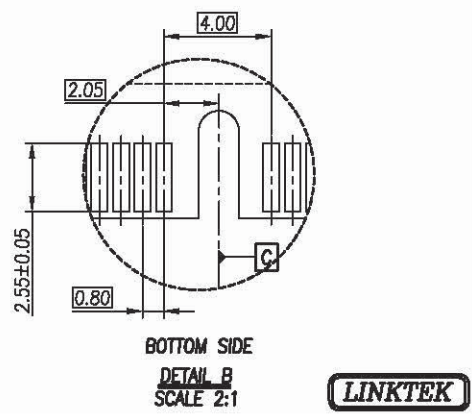
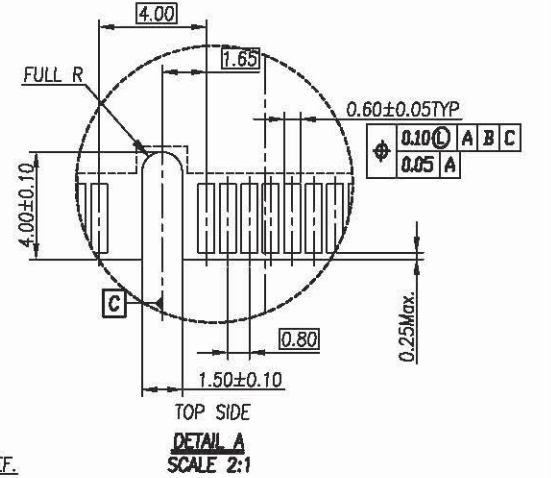
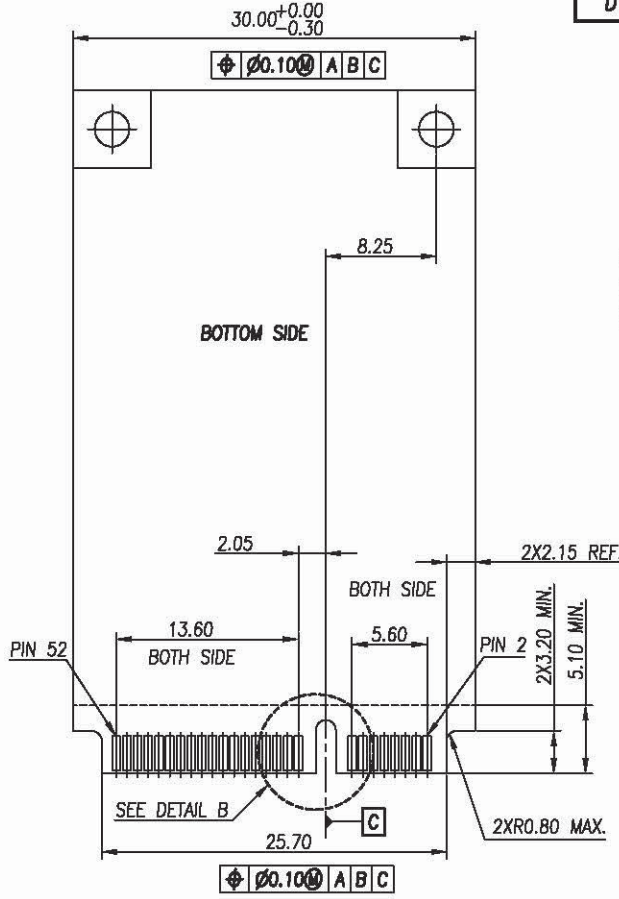
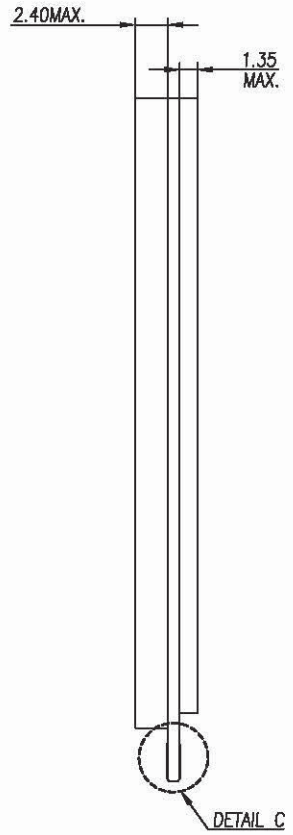
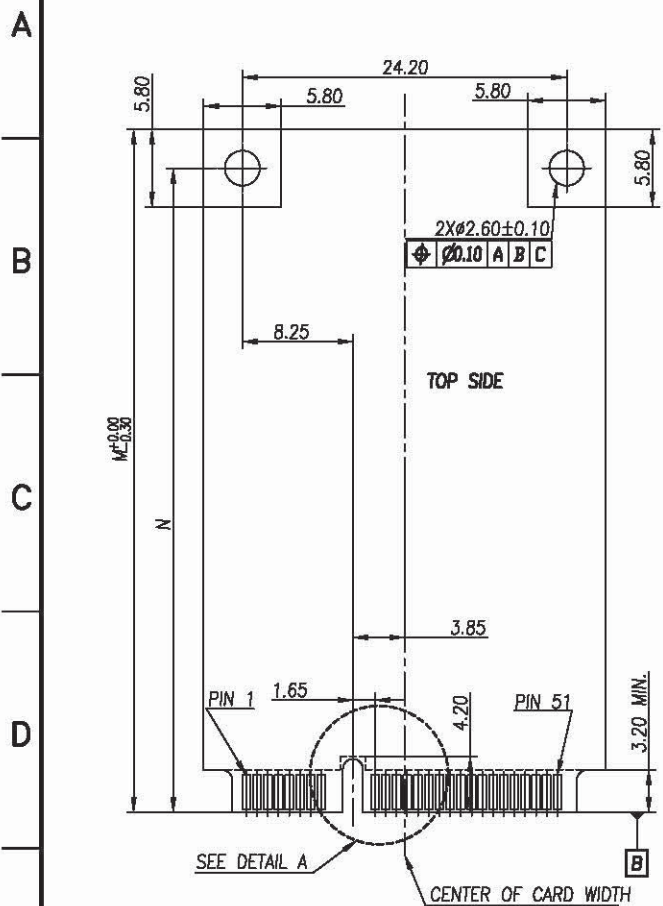


LINKTEK

DIMENSION IN mm [Inch]		PROD. SPEC. SP-MPCXXL1	东莞市涪程电子科技有限公司		
TOLERANCE UNLESS OTHERWISE SPECIFIED		PKG. SPEC. PK-MPCET-001	TITLE: MINI PCI EXPRESS 4.0H		
.X±0.35	X'±1"	APR. Tony 2011.11.22	FILE NO. ARG-097	DWG NO. MPCET-S52XX-TP40	
.XX±0.25	.X'±	CHK. Leo 2011.11.22	PROJ.	CUSTOMER DRAWING	
.XXX±	.XX'±	DRA. Coco 2011.11.22	SIZE A4	SCALE 1:1	SHEET 1/2
			REV. D	C	

REV.	MODIFICATION	DATE	DRAW
B	ECR-2010021	2010.12.23	Leo
C	ECR-2011005	2011.03.08	Coco
D	ECN-2011050	2011.11.22	Coco

HALOGEN FREE LEAD FREE



DIMENSION IN mm [Inch]		PROD. SPEC. SP-MPCXXL1
TOLERANCE UNLESS OTHERWISE SPECIFIED		PKG. SPEC. PK-MPCET-001
.X±0.35	X.'± 1"	APR. Tony 2011.11.22
.XX±0.25	.X'±	CHK. Leo 2011.11.22
.XXX±	.XX'±	DRA. Coco 2011.11.22

东莞市涪程电子科技有限公司

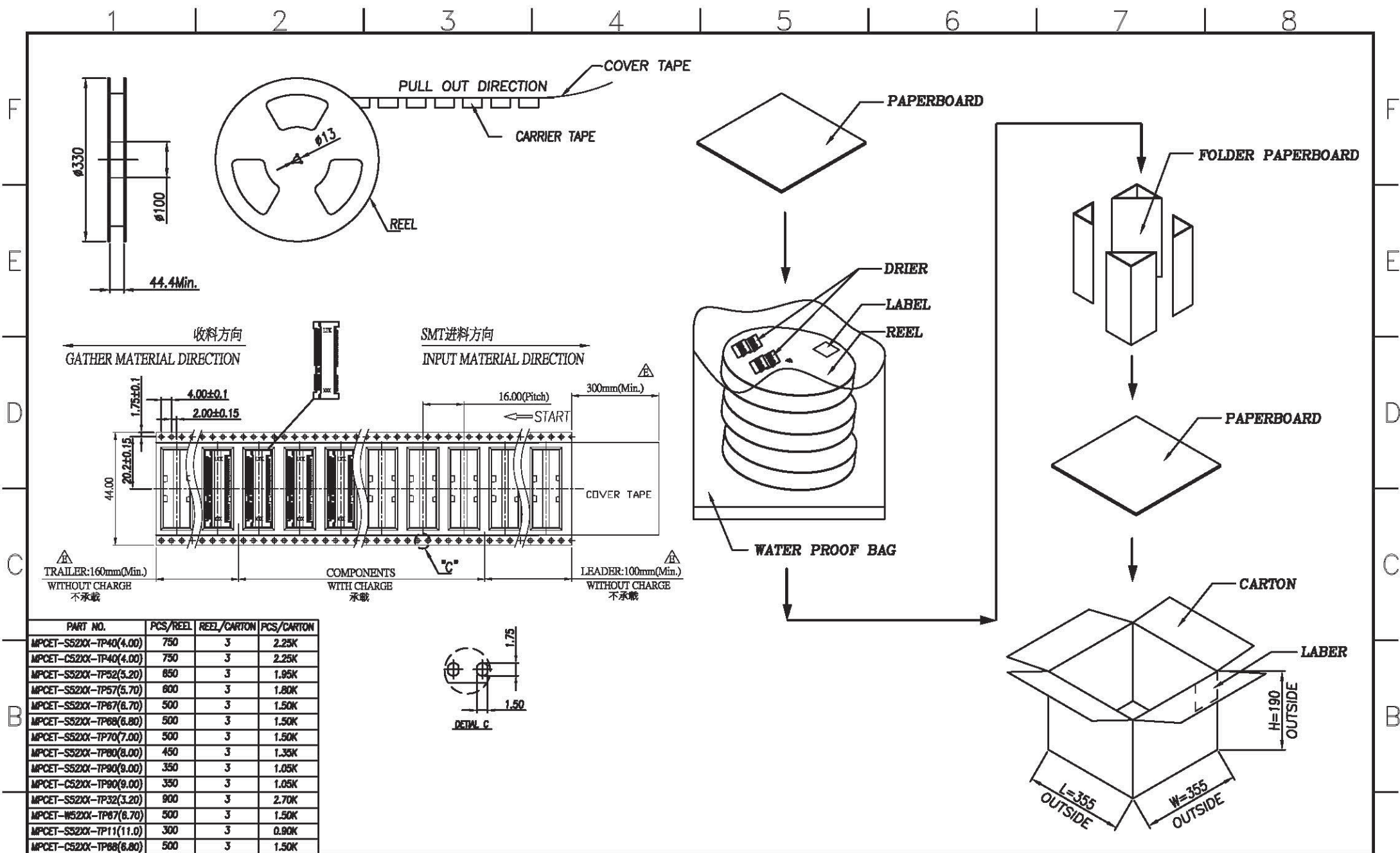
TITLE: MINI PCI EXPRESS 4.0H

FILE NO. ARG-097 DWG NO. MPCET-S52XX-TP40

PROJ. CUSTOMER DRAWING

SIZE A4 SCALE 1:1 SHEET 2/2 REV. D C

	M	N	P
FULL-MINI CARD	50.95	48.05	48.05
HALF-MINI CARD	26.8	23.9	23.9



A	东莞市涪程电子科技有限公司	產品名稱 TITLE	PACKING FOR T/P MINI PCI E CARD CONNECTOR	案號 FILE NO.	ARG-094	更改 REV	E	張數 SHEET	1 / 1	圖紙 SIZE	A4	E	ECN-2014013	2014.08.04	Vincent
	包裝規範(PACKING LIST)	圖號 DWG NO.	PK-MPCET-001	審核 APPROVE	Tony 2014.08.04	核對 CHECK	Leon 2014.08.04	製圖 DRAW	Vincent 2014.08.04			D	新增規格6.8H	2012.10.24	Coco
												C	ECN-2012009	2012.03.12	Coco
												B	ECN-2011004	2012.01.05	Coco
												A	INITIAL RELEASE	2010.09.24	Coco
												更改 REV	設 變 內 容 MODIFICATION	日 期 DATE	修 改 DRAW