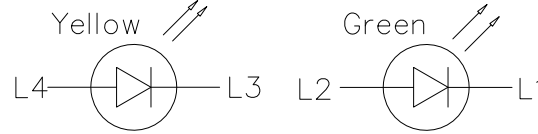
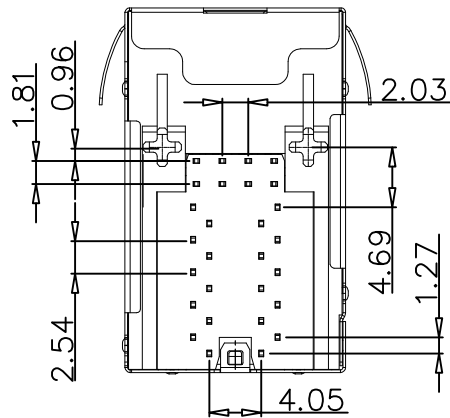
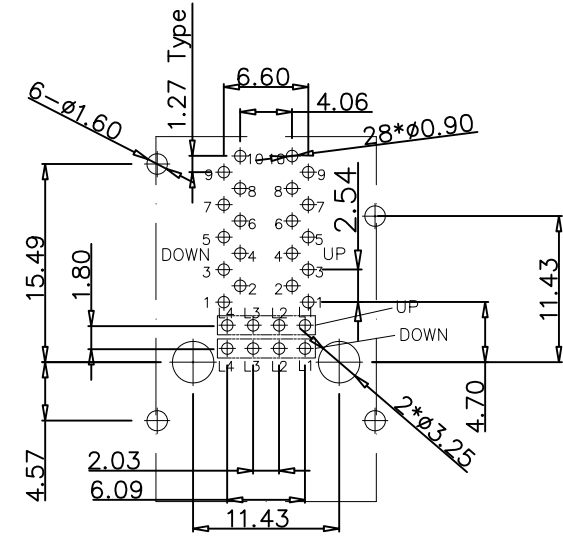
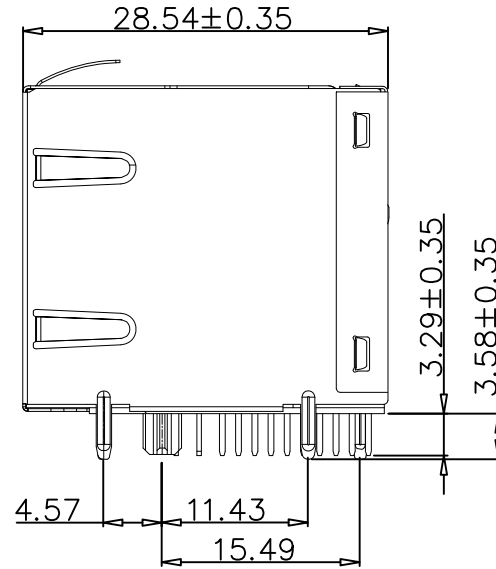
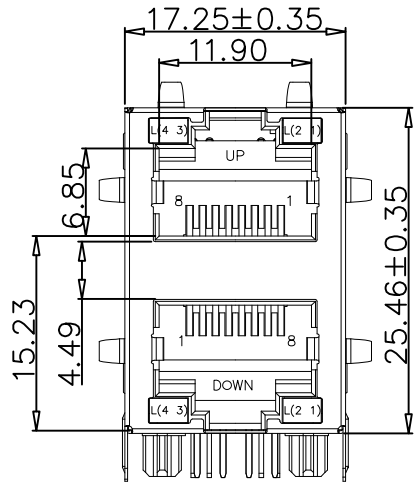


Mechanical:

REV.	DESCRIPTION	APPD.	DATE
A	ISSUE	Victor	20/11'13



**RECOMMENDED PCB LAYOUT**

Ref.

MATERIAL:

HOUSING: PLASTIC PA66 UL94V-0

CONTACTS: 0.35mm THICK PHOS-BRONZE

PLACK WITH 6u" GOLD IN CONTACT AREA AND TIN AND TIN IN SOLDER AREA, AND NICKEL PLATED IN ALL AREA

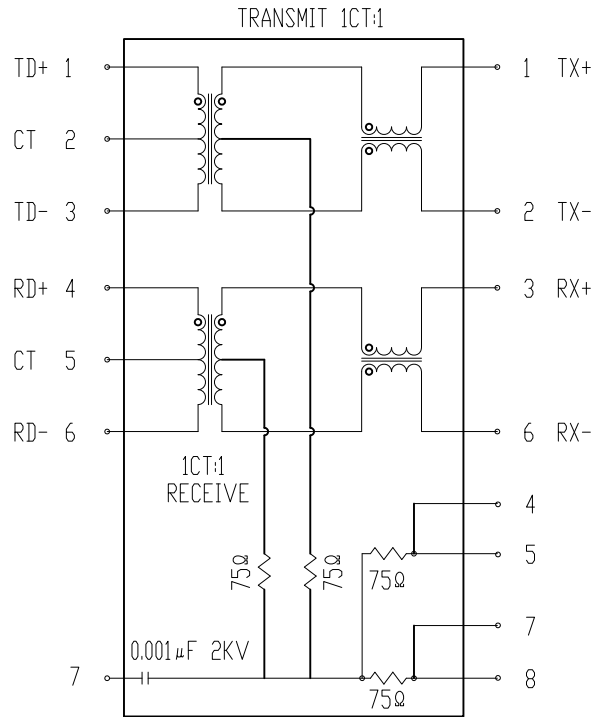
SHIELD: 0.20mm THICK STAINLESS STEEL WITH NICKEL PLATED

**RoHS Compliant**

UNSPECIFIED TOLERANCE:		东莞市涪程电子科技有限公司	
.X± 0.35	X°.± 3'	APPD:	TITLE:
.XX± 0.25	.X°.± 2'	CHKD:	2x1 100M带灯带弹左黄右绿
.XXX±0.15	.XX°.± 1'	DR:	PART NO.
THESE DRAWINGS AND SPECIFICATIONS ARE THE PROPERTY OF ALL BEST ELECTRONICS TECHNOLOGY CO.,LTD. AND SHALL NOT BE REPRODUCED COPIED OF USED IN ANY MANNER WITHOUT THE PRIOR WRITTEN CONSENT OF ALL BEST ELECTRONICS TECHNOLOGY CO.,LTD.		Victor 20/11'13	MRH(F4-16)1144A1
		SCALE	SHEET
		1:1	1/2
		UNITS	REV.
		mm	A

Schematics:

REV.	DESCRIPTION	APPD.	DATE
A	ISSUE	Victor	20/11'13



Transmitter & Receiver Filter:

1. Insertion Loss (dB MAX)  
1~100MHz -1.0
2. Return Loss at 100W(dB MIN)  
1~30MHz -18  
30~60MHz -16  
60~80MHz -12
3. Common Mode Rejection  
1~100 MHz: -30dB MIN
4. Cross Talk  
1~100 MHz: -35dB MIN
5. Inductance:  
350uH MIN @100KHz/ 0.1V, 8mA DC BIAS
6. HiPot Test: 1500Vrms(or 2250VDC), 60sec
7. LED: Forward Voltage (V)@ 20mA  
Typical :2.2 / MAX :2.6

ELECTRICAL SPECIFICATIONS AT 25°C

Insertion Loss dB max	Return Loss dB min			Crosstalk(dB TYP)			Common Mode Rejection (dB TYP)		Hipot(Vrms)
	1-100MHz	1-30MHz	30- 60MHz	60- 100MHz	1-30MHz	30- 60MHz	60- 100MHz	1-50MHz	
-1.0	-18	-16	-12	-40	-35	-30	-30	-20	1500/0.5mA

RoHS Compliant

UNSPECIFIED TOLERANCE:		东莞市涪程电子科技有限公司							
.X± 0.35	X°.± 3'					APPD:	TITLE: 10-100M		
.XX± 0.25	.X'± 2'					CHKD:	PART NO. ML F4-16		
.XXX±0.15	.X'X'± 1'	DR: Victor 20/11'13	SCALE 1:1	SHEET 2/2	UNITS mm	REV. A			
THESE DRAWINGS AND SPECIFICATIONS ARE THE PROPERTY OF ALL BEST ELECTRONICS TECHNOLOGY CO.,LTD. AND SHALL NOT BE REPRODUCED COPIED OF USED IN ANY MANNER WITHOUT THE PRIOR WRITTEN CONSENT OF ALL BEST ELECTRONICS TECHNOLOGY CO.,LTD.									