

1、FUNCTION: OFF-ON

2、RATING: UL: 10A 125VAC

CQC: 6A/12A 250VAC

ENEC VDE: 6(4)A 250VAC μ T105

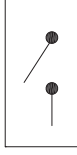
3、OPERATION FORCE: 650 \pm 350g.f

4、CONTACT RESISTANCE: \leq 50 m Ω

5、INSULATION RESISTANCE: \geq 100 M Ω

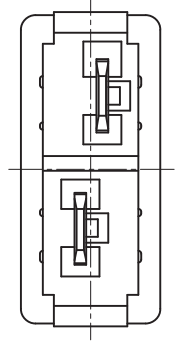
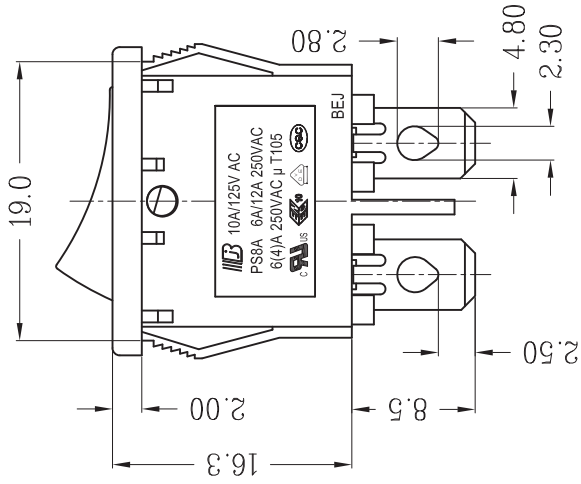
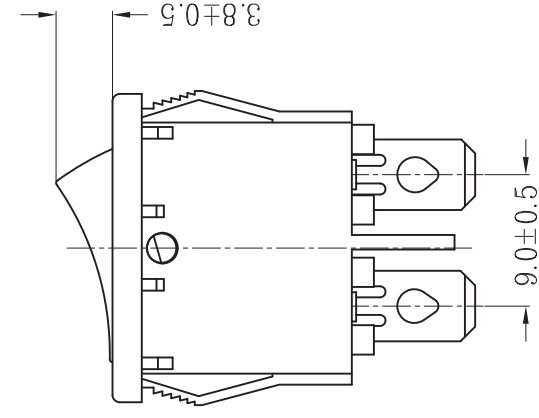
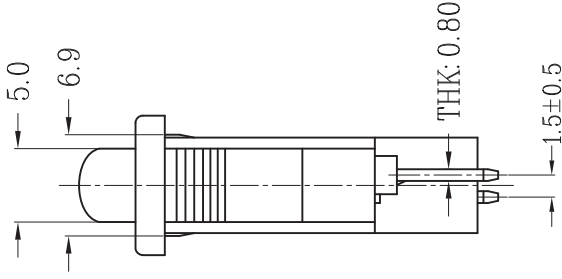
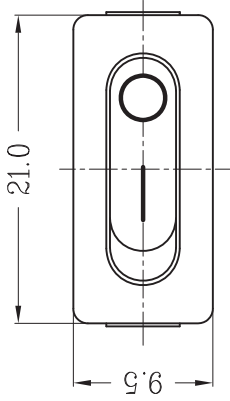
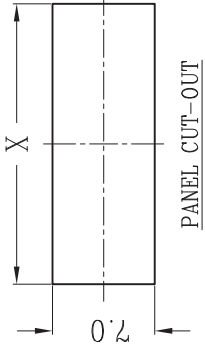
6、DIELECTRIC WITHSTAND: TERMINAL TO BUTTON 3000VAC/5mA/1MIN/TUE
TERMINAL TO TERMINAL 1500VAC/5mA/1MIN/TUE

7、CIRCUIT DIAGRAM:



8、SUGGESTED PANEL HOLE SIZE:

PANEL THICKNESS	DIM X
0.75-1.25	19.2/19.1
1.25-2.0	19.4/19.3
2.0-3.0	19.8/19.7



TOLERANCE UNLESS SPECIFIED
.X: ± 0.30 . XX: ± 0.15 ANGULAR: $\pm 3.0^\circ$

PROJECTION:

TITLE: **ROCKER SWITCH**

MODEL: PS8A-1-B1R3-1H15-10(A12125)

FUNCTION: OFF-ON

V1.0

ISSUE DATE DESCRIPTIONS OF REVISION APPD.

UNIT: mm SCALE: NOT SCALE DRWG NO: **BEJ-FH-W0856**

DWN. 吴为萍 2017-10-07

CHK'D. 冯 辉 2017-10-07

APPD. 谭云锋 2017-10-07

东莞市涪程电子科技有限公司