

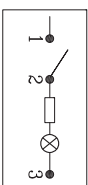
- 1、FUNCTION: OFF-ON
- 2、RATING: UL: 250VAC 1/2HP 8A 250VAC 10A 125VAC
CQC: 6A/12A 250VAC

ENEC VDE: 12A 125VAC 6(4)A 250VAC μ T105

- 3、OPERATION FORCE: 650±350g·f
- 4、CONTACT RESISTANCE: ≤ 50 mΩ
- 5、INSULATION RESISTANCE: ≥ 100 MΩ
- 6、DIELECTRIC WITHSTAND:

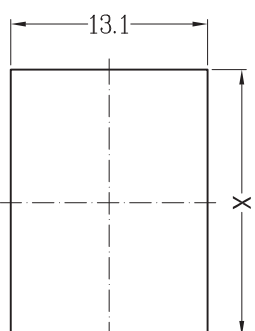
TERMINAL TO BUTTON 3000VAC/5mA/1MINUTE
TERMINAL TO TERMINAL 1500VAC/5mA/1MINUTE

- 7、CIRCUIT DIAGRAM:

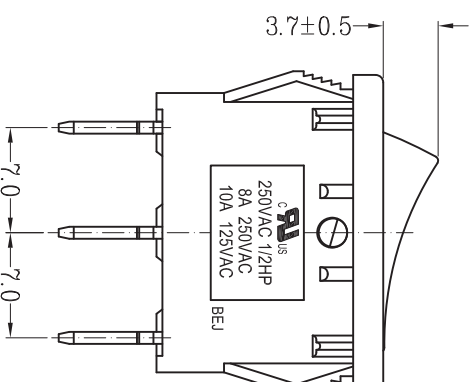
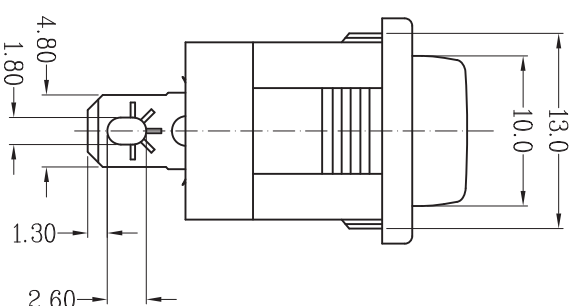


- 8、SUGGESTED PANEL HOLE SIZE:

PANEL THICKNESS	DIM X
0.75-1.25	19.2/19.1
1.25-2.0	19.4/19.3
2.0-3.0	19.8/19.7



PANEL CUT-OUT



TOLERANCE UNLESS SPECIFIED
X: ±0.30 : ±0.15 ANGULAR: ±3.0°

PROJECTION:

ISSUE	DATE	DESCRIPTIONS OF REVISION
		V1.0

TITLE: ROCKER SWITCH UNIT: mm SCALE: NOT SCALE

MODEL: PS8A-13-B1R3-2H15-02(A22269) FUNCTION: OFF-ON

DRWG NO.:	BEJ-FH-W0643
DWN.	黄荟荟
CHK'D.	冯辉
APPD.	谭云锋

DATE	REVISION
2016-10-07	
2016-10-07	
2016-10-07	

东莞市浚程电子科技有限公司