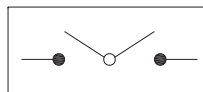


- 1、FUNCTION: ON-ON
- 2、RATING: UL: 250VAC 1/2HP 8A 250VAC 10A 125VAC  
CQC: 6A/12A 250VAC  
ENEC VDE: 12A 125VAC 6(4)A 250VAC  $\mu$  T105

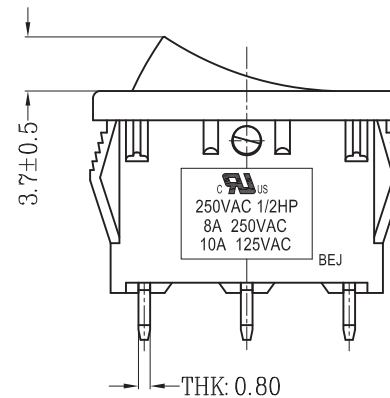
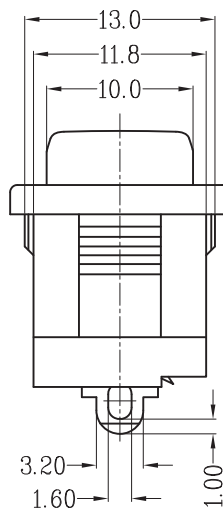
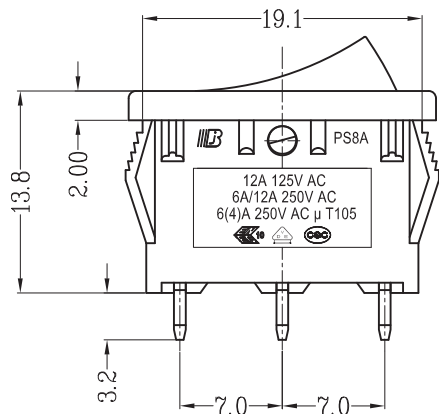
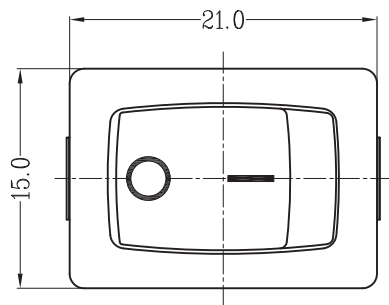
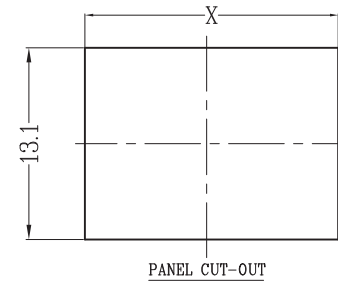
- 3、OPERATION FORCE: 650 $\pm$ 350g.f
- 4、CONTACT RESISTANCE:  $\leq$  50 m $\Omega$
- 5、INSULATION RESISTANCE:  $\geq$  100 M $\Omega$
- 6、DIELECTRIC WITHSTAND: TERMINAL TO BUTTON 3000VAC/5mA/1MINUTE  
TERMINAL TO TERMINAL 1500VAC/5mA/1MINUTE

7、CIRCUIT DIAGRAM:



8、SUGGESTED PANEL HOLE SIZE:

PANEL THICKNESS	DIM.X
0.75-1.25	19.2/19.1
1.25-2.0	19.4/19.3
2.0-3.0	19.8/19.7



TOLERANCE UNLESS SPECIFIED					
X: $\pm 0.30$ : $\pm 0.15$ ANGULAR: $\pm 3.0^\circ$					
PROJECTION		V1.0			
ISSUE	DATE	DESCRIPTIONS OF REVISION		APPD.	
TITLE: ROCKER SWITCH		UNIT: mm	SCALE: NOT SCALE	DRWG NO.: BEJ-FH-W0548	
MODEL PS8A-2-B1B3-4S-04		FUNCTION: ON-ON		DWN.	吴为萍 2016-03-24
东莞市涪程电子科技有限公司				CHK'D.	冯辉 2016-03-24
				APPD.	谭云锋 2016-03-24