

1、FUNCTION: OFF-ON

2、RATING: UL: 250VAC 1/2HP 8A 250VAC 10A 125VAC

CQC: 6/12A 250VAC T105

ENEC VDE: 12A 125VAC T105/55 6(4)A 250VAC

KC: 10(4)A 250VAC T105/55

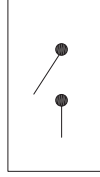
3、OPERATION FORCE: 650±350g.f

4、CONTACT RESISTANCE: ≤ 50 mΩ

5、INSULATION RESISTANCE: ≥ 100 MΩ

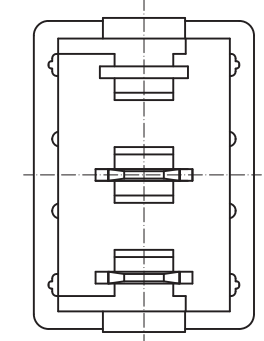
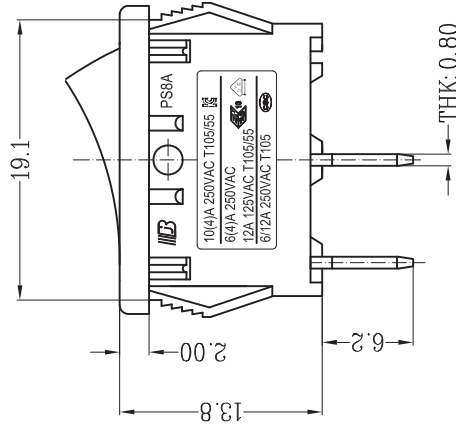
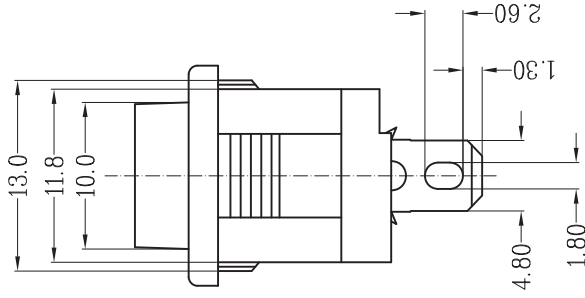
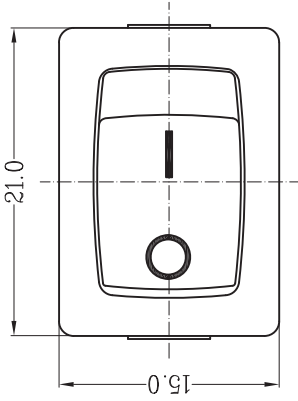
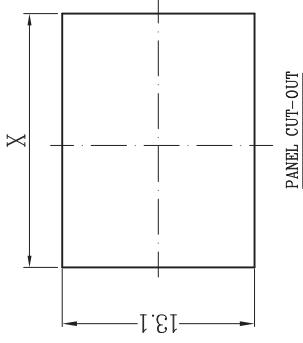
6、DIELECTRIC WITHSTAND: TERMINAL TO BUTTON 3000VAC/5mA/1MINUTE  
TERMINAL TO TERMINAL 1500VAC/5mA/1MINUTE

7、CIRCUIT DIAGRAM:



8、SUGGESTED PANEL HOLE SIZE:

| PANEL THICKNESS | DIM.X     |
|-----------------|-----------|
| 0.75-1.25       | 19.2/19.1 |
| 1.25-2.0        | 19.4/19.3 |
| 2.0-3.0         | 19.8/19.7 |



| TOLERANCE UNLESS SPECIFIED        |  | V7.0             |                  |
|-----------------------------------|--|------------------|------------------|
| X: ±0.30 XX: ±0.15 ANGULAR: ±3.0° |  |                  |                  |
| PROJECTION:                       |  | ISSUE            | DATE             |
| TITLE: ROCKER SWITCH              |  | UNIT: mm         | SCALE: NOT SCALE |
| MODEL: PS8A-2-B1R3-1H-04 (A26637) |  | FUNCTION: OFF-ON |                  |
|                                   |  | DRWG NO.:        | APPD.            |
|                                   |  | BEJ-FH-W0021     |                  |
|                                   |  | DWN.             | 2015-08-20       |
|                                   |  | CHK'D.           | 2015-08-20       |
|                                   |  | APPD.            | 2015-08-20       |

东莞市浚程电子科技有限公司