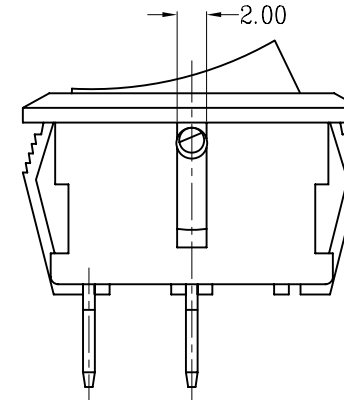
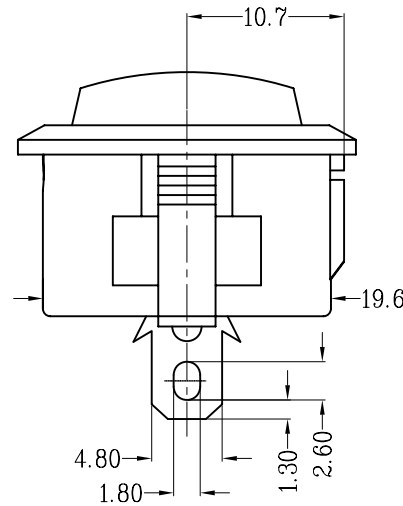
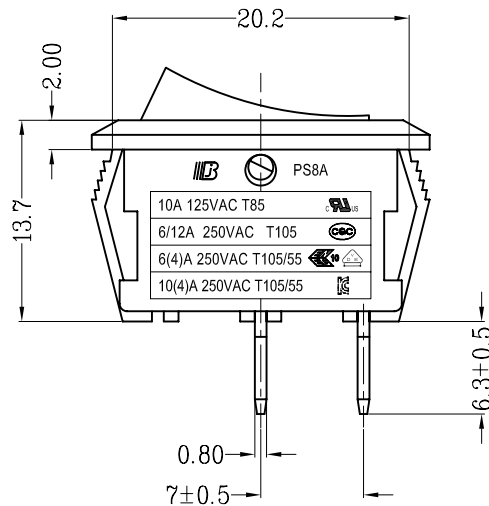
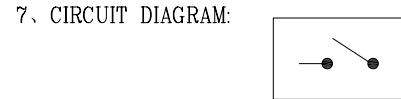
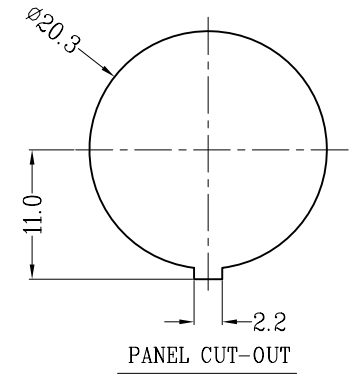


- 1、FUNCTION: OFF-ON
- 2、RATING: UL: 10A 125VAC T85  
CQC: 6/12A 250VAC T105  
ENEC VDE: 6(4)A 250VAC T105/55  
KC: 10(4)A 250VAC T105/55
- 3、OPERATION FORCE: 650±350g.f
- 4、CONTACT RESISTANCE: ≤ 50 mΩ
- 5、INSULATION RESISTANCE: ≥ 100 MΩ
- 6、DIELECTRIC WITHSTAND : TERMINAL TO BUTTON 3000VAC/5mA/1MINUTE  
TERMINAL TO TERMINAL 1500VAC/5mA/1MINUTE

8、SUGGESTED PANEL HOLE SIZE:



TOLERANCE UNLESS SPECIFIED					
X: ±0.30		: ±0.15 ANGULAR ±3.0°			
PROJECTION		V1.0			
		ISSUE	DATE	DESCRIPTIONS OF REVISION	APPD.
TITLE: ROCKER SWITCH		UNIT: mm	SCALE: NOT SCALE	DRWG NO.: Tmep-0003	
MODEL: PS8A-3A-B1B3-1H-02		FUNCTION: OFF-ON		DWN.	任奇玲 2014-12-05
东莞市涪程电子科技有限公司				CHK'D.	冯辉 2014-12-05
				APPD.	谭云锋 2014-12-05