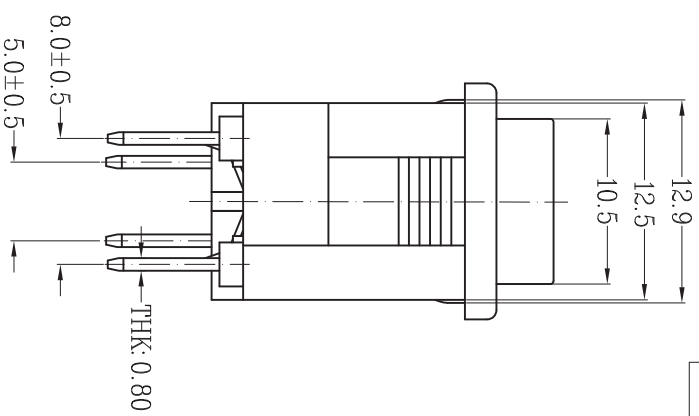
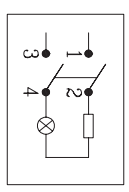
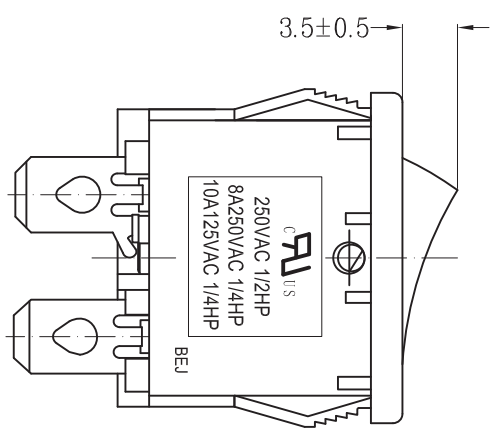
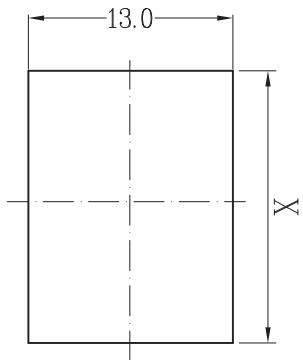


- 1. FUNCTION: OFF-ON
OFF-ON
- 2. RATING: UL: 250VAC 1/2HP 8A 250VAC 1/4HP 10A 125VAC 1/4HP
CQC: 6A/12A 250VAC
ENEC VDE: 6(4)A 250VAC μ T105
- 3. OPERATION FORCE: 650±350gf
- 4. CONTACT RESISTANCE: ≤ 50 mΩ
- 5. INSULATION RESISTANCE: ≥ 100 MΩ
- 6. DIELECTRIC WITHSTAND:
TERMINAL TO BUTTON 3000VAC/5mA/1MINUTE
TERMINAL TO TERMINAL 1500VAC/5mA/1MINUTE
- 7. CIRCUIT DIAGRAM:



8. SUGGESTED PANEL HOLE SIZE:

PANEL THICKNESS	DIM. X
0.75-1.25	19.2/19.1
1.25-2.0	19.4/19.3
2.0-3.0	19.8/19.7



TOLERANCE UNLESS SPECIFIED					
X: ±0.30		: ±0.15 ANGULAR ±3.0°			
PROJECTION		ISSUE	DATE	DESCRIPTIONS OF REVISION	APPD.
TITLE: ROCKER SWITCH		UNIT: mm	SCALE NOT SCALE	DRWG NO: BEJ-FH-W0365	
MODEL: PS8A-4-BIG3-6H-11(A20637)		FUNCTION: OFF-ON	OFF-ON	DWN.	2015-06-19
东莞市浔程电子科技有限公司		CHK'D.	冯辉	2015-06-19	
		APPD.	谭云锋	2015-06-19	