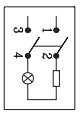
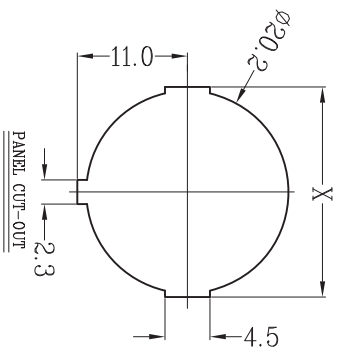


- 1. FUNCTION: OFF-ON  
OFF-ON
- 2. RATING: UL: 10A 125VAC  
CQC: 6A/12A 250VAC  
ENEC VDE: 6(4)A250VAC μ T105
- 3. OPERATION FORCE: 650±350gf
- 4. CONTACT RESISTANCE: ≤ 50 mΩ
- 5. INSULATION RESISTANCE: ≥ 100 MΩ
- 6. DIELECTRIC WITHSTAND: TERMINAL TO BUTTON 3000VAC/5mA/1MINUTE  
TERMINAL TO TERMINAL 1500VAC/5mA/1MINUTE
- 7. CIRCUIT DIAGRAM:



8. SUGGESTED PANEL HOLE SIZE:

PANEL THICKNESS	DIM X
0.75-1.25	20.2
1.25-2.0	20.4
2.0-3.0	20.8



TOLERANCE UNLESS SPECIFIED

X: ±0.30 mm    XX: ±0.15 ANGULAR ±3.0°

PROJECTION	ISSUE	DATE	DESCRIPTIONS OF REVISION	APPD.

TITLE: ROCKER SWITCH	UNIT: mm	SCALE NOT SCALE	OFF-ON
MODEL: PS8A-8-B1R3-6H-10(A22289)	FUNCTION: OFF-ON		

DRWG NO.:	BEJ-FH-W0141
DWN.	任奇玲
CHK'D.	冯辉
APPD.	谭云锋
	2014-07-23
	2014-07-23

东莞市浚程电子科技有限公司