

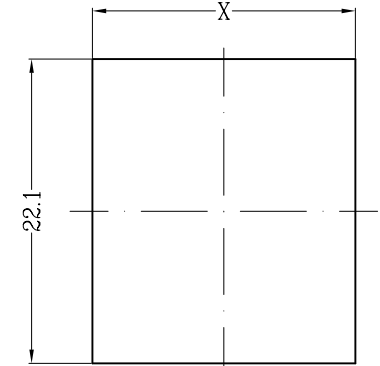
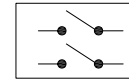
- 1、FUNCTION: OFF-ON
OFF-ON
- 2、RATING: UL: 250VAC 8A250VAC 10A125VAC
CQC: 6A/12A 250VAC
ENEC VDE: 6(4)A 250VAC μ T105
- 3、OPERATION FORCE: 650±350g.f
- 4、CONTACT RESISTANCE: ≤ 50 mΩ
- 5、INSULATION RESISTANCE: ≥100 MΩ
- 6、DIELECTRIC WITHSTAND:

8、SUGGESTED PANEL HOLE SIZE:

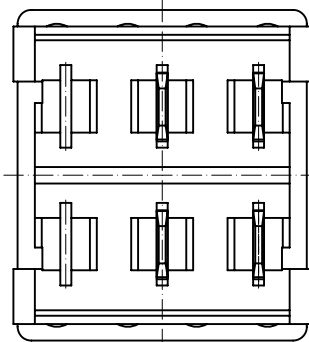
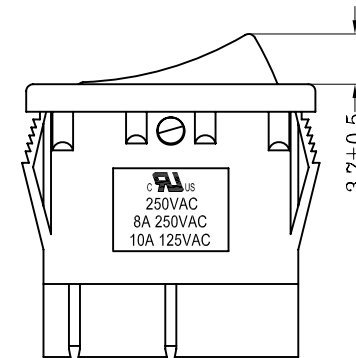
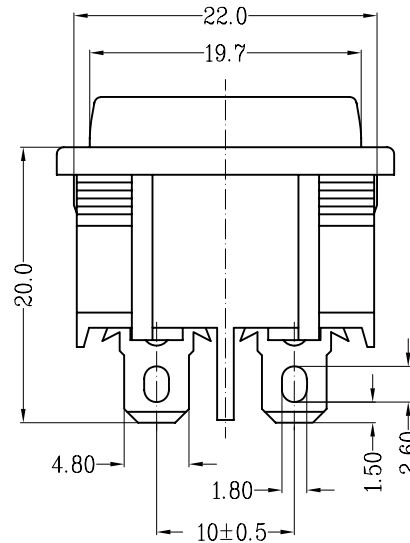
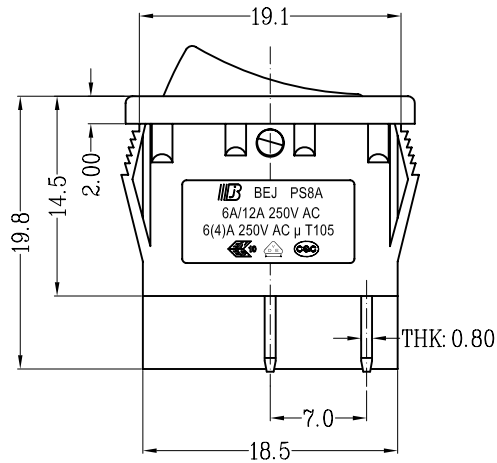
PANEL THICKNESS	DIM. X
0.75-1.25	19.2/19.1
1.25-2.0	19.4/19.3
2.0-3.0	19.8/19.7

TERMINAL TO BUTTON 3000VAC/5mA/1MINTUE
TERMINAL TO TERMINAL 1500VAC/5mA/1MINTUE

7、CIRCUIT DIAGRAM:



PANEL CUT-OUT



TOLERANCE UNLESS SPECIFIED					
X: ±0.30		: ±0.15 ANGULAR ±3.0°			
PROJECTION		V1.0			
		ISSUE	DATE	DESCRIPTIONS OF REVISION	APPD.
TITLE: ROCKER SWITCH	UNIT: mm	SCALE: NOT SCALE	DRWG NO.: BEJ-FH-W0009		
MODEL: PS8A-9-B1B3-5H-02	FUNCTION: OFF-ON OFF-ON		DWN.	吴为萍	2014-03-07
东莞市涪程电子科技有限公司			CHK'D.	冯辉	2014-03-07
			APPD.	谭云锋	2014-03-07