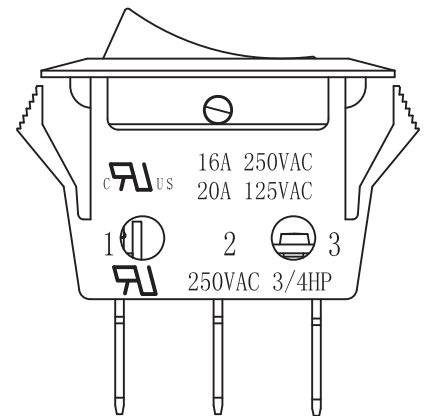
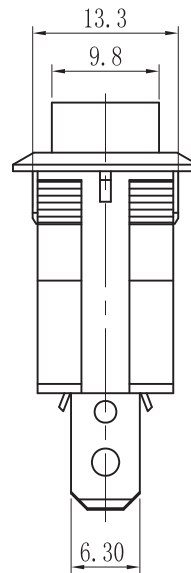
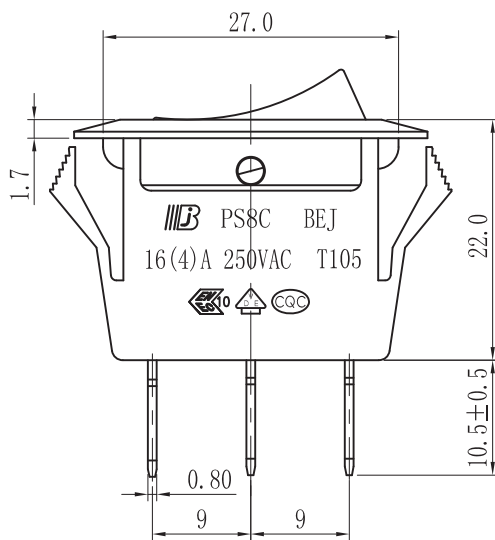
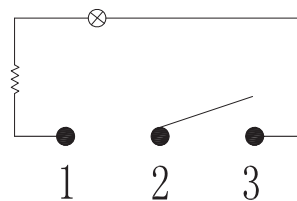


PANEL CUT-OUT

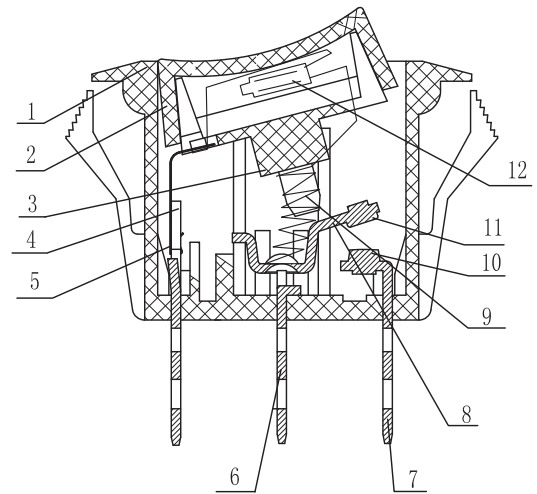
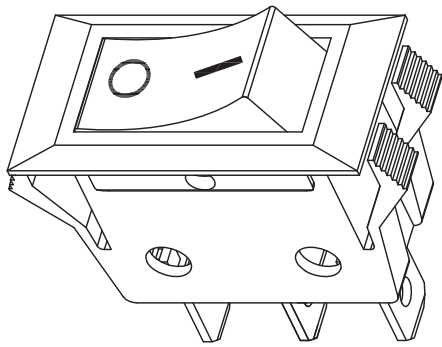


SWITCHING CIRCUIT



版本 Edition	修改 Modification	核准 Approved	日期 Date	东莞市涪程电子科技有限公司	
V1.1	Original	孙联虎	2008.01.01		
V2.0	1. The model NO. was PS8C-12-B1R3-2H无隔板 2. Update the drawing	孙联虎	2009.07.10	成品图 Product's Drawing	
普通公差: X ±0.4; Common Tolerance X.X ±0.3; X.XX ±0.1;			比例 Scale		
					船形开关
设计 Drawing by	任奇玲	日期 Date	2009.07.10	型号 Model NO.	PS8C-12-B1R3-2H-00
审核 Checked by	何传斌	核准 Approved by	孙联虎	图号 File No.	BEJ.SPS8C0169

序号	名称	材料	处理	数量	重量 单位:g	备注
1	无隔板基座	PA66	黑色	1	3.0	
2	曲面透光按钮	PC	红色	1	1.0	
3	灯座	PA66	白色	1	0.60	
4	长接灯端子	F8(t0.8)	镀锡	1	0.70	
5	接灯簧片	铍青铜带(t0.1)	热处理	1	0.04	
6	长支架	H62黄铜带(t0.8)	镀锡	1	0.60	
7	长接触板	H62黄铜带(t0.8)	镀锡	1	0.70	
8	U形翘板	H62黄铜带(t0.8)	镀银	1	0.48	
9	弹簧	T9 弹簧钢丝	镀镍	1	0.22	
10	复合电触点(静)	银合金		1	0.06	
11	复合电触点(动)	银合金		1	0.06	
12	氖灯电阻组件	—	—		0.25	红灯



版本	修改	核准	日期	贝尔佳电子有限公司	
V1.0	Original	何传斌	2009.07.16		
				物料明细表(BOM)	
				名称	船形开关
				型号	PS8C-12-B1R3-2H-00
设计	任奇玲	日期	2009.07.16	图号	BEJ.SPS8.D0169
审核	何传斌	核准	孙联虎		

贝尔佳电子有限公司

Bei er jia Electronic Co., LTD

规格书Specification

产品名称Model Name	跷板开关(单刀)Rocker Switch (Single pole)	编号Code	SPS86-01
产品型号Model No	PS8C Series	日期Date	2010.07.20
额定值 Rating	16(4)A 250V AC T105	版本Edition	V3.0
	16A 250VAC 3/4HP 20A 125VAC 1/4HP		
1	结构及尺寸 Construction and Dimension	见附件图面See the figure	
2	使用环境 Application Condition	1.使用温度Using Temperature	0-105℃
		2.测试温度 Testing Temperature	0~40℃
		3.湿度Humidity	35%-85%RH
		4.气压Air pressure	86Kpa-106Kpa
3	电气性能 Electrical Performance	1.接触电阻Contact Resistance	≤50mΩ
		2.绝缘电阻Insulation Resistance	≥100MΩ 500V DC
		3.耐电压 Withstand Voltage	3000V AC 1min Terminal to body 1500V AC 1min Terminal to terminal
		漏电流 Leakage Current :	≤1mA
4	机械性能 Mechanical Performance	1.动作力Operating Force	500 ± 300g
		2.端子强度Terminal Strength	5kg/1min 静止的力 Static Force
		3.可焊性Solder Ability	230 ± 10℃ 3±1sec >75%被覆盖 More than 75% of the terminal shall be covered
		4.耐焊性Withstand Soldering Heat	Dip Soldering 260±10℃ 3±1sec
5	耐久性能 Durability Performance	1.动作寿命Operating Life	Rating Current 10000 cycles
		2.耐寒性 Cold Endurance	-20±2℃ For 96h
		3.耐热性 Heat Endurance	105±2℃ For 96h
		4.耐湿性 Humidity Endurance	40±2℃ 90-95%RH For 96h



产品认证证书

证书编号: CQC12001080215

申请人名称及地址

浙江贝尔佳电子有限公司
浙江省乐清市宋湖工业区宋湖路7号

制造商名称及地址

浙江贝尔佳电子有限公司
浙江省乐清市宋湖工业区宋湖路7号

生产企业名称及地址

浙江贝尔佳电子有限公司 (V002088)
浙江省乐清市宋湖工业区宋湖路7号

产品名称和系列、规格、型号

跷板开关

PS8C 16/200A 250VAC T105 1E4 仅适用于海拔5000米及以下

产品标准和技术要求

GB8898-2011 GB15092.1-2010

认证模式

产品型式试验+初次工厂检查+获证后监督

上述产品符合CQC11-461292-2012认证规则的要求, 特发此证。

发证日期: 2012年08月28日

有效期至: 2016年08月28日

证书有效期内本证书的有效性依据发证机构的定期监督获得保持

主任: _____



中国质量认证中心

中国·北京·南四环西路188号9区100070

<http://www.cqc.com.cn>

C 0028195



WOYR2.E236875 Switches, Special Use - Component

Page Bottom

Switches, Special Use - Component

See General Information for Switches, Special Use - Component

ZHE JIANG BEI ER JIA ELECTRONIC CO LTD

E236875

SONGHU INDUSTRIAL ZONE

7 SONGHU RD

YUEQING, ZHEJIANG 325600 CHINA


Cat. No.	Amps	Volts	Hz	Load	Endurance	Temp C	POL/THR	Per Pole/Circuit Code	SPCOA
PS10	12	250	60	GP	-	85	2/2	-/-	A1,A2
	12	125	60	GP	-				
PS5	5	120	60	TV	25K	85	1/1	-/-	-
PS8A	10	125	60	GP	6K	85	1/1	-/-	-
	8	250	60	GP	6K				
	-	250	60	1/2hp	6K				
	-	125	60	1/4hp	6K				
	-	250	60	1/4hp	6K				
PS8C	20	125	60	GP	6K	85	1/1	-/-	3
	16	125	60	GP	6K				
	16	250	60	GP	6K				
	-	250	60	3/4hp	6K				
	-	125	60	1/4hp	6K				
	-	250	60	1/4hp	6K				

A1 - It is a voltage selector switch. The investigation was limited to Mechanical cycles and current conducting capability. This switch should not be used to Make or Break any load and are not to be evaluated for Make and Break capabilities in the end product.

A2 - The switch has been subjected to a minimum 6,050 cycles Mechanical Endurance Test with no load in lieu of the normal Overload/Endurance test. This Switch should not be operated under load in the end-product

Marking: Markings on the switch body consist of at least items (a) and (b) or (c) as noted below (other markings shall be on the smallest shipping package):




(a) Manufacturer's identifier (such as name or trademark , as described in the UL file)

(b) Electrical ratings

(c) Catalog or model number (or equivalent)

(d) Factory code (as described in the UL Report, if more than one location)

(e) Recognized Component Mark, 

Last Updated on 2008-01-09

[Questions?](#)

[Notice of Disclaimer](#)

[Page Top](#)

[Copyright © 2008 Underwriters Laboratories Inc.®](#)

The appearance of a company's name or product in this database does not in itself assure that products so identified have been manufactured under UL's Follow-Up Service. Only those products bearing the UL Mark should be considered to be Listed and covered under UL's Follow-Up Service. Always look for the Mark on the product.

UL permits the reproduction of the material contained in the Online Certification Directory subject to the following conditions: 1. The Guide Information, Designs and/or Listings (files) must be presented in their entirety and in a non-misleading manner, without any manipulation of the data (or drawings). 2. The statement "Reprinted from the Online Certifications Directory with permission from Underwriters Laboratories Inc." must appear adjacent to the extracted material. In addition, the reprinted material must include a copyright notice in the following format: "Copyright © 2008 Underwriters Laboratories Inc.®"

[An independent organization working for a safer world with integrity, precision and knowledge.](#)



ZEICHENGENEHMIGUNG MARKS APPROVAL

Zhe Jiang Bei Er Jia
Electronic Co., Ltd.
No. 7 Songhu Road
Songhu Industrial Zone
325600 Yueqing City, Wenzhou City
CHINA

ist berechtigt, für ihr Produkt /
is authorized to use for their product

Geräteschalter
Switch for appliances

die hier abgebildeten markenrechtlich geschützten Zeichen
für die ab Blatt 2 aufgeführten Typen zu benutzen /
the legally protected Marks as shown below for the types referred to on page 2 ff.



Geprüft und zertifiziert nach /
Tested and certified according to

DIN EN 61058-1 (VDE 0630-1):2008-09; EN 61058-1:2002 + A2:2008
IEC 61058-1(ed.3);am1;am2

VDE Prüf- und Zertifizierungsinstitut GmbH
Testing and Certification Institute
Zertifizierungsstelle / *Certification*

VDE Zertifikate sind nur gültig bei Veröffentlichung unter:
VDE certificates are valid only when published on:

Aktenzeichen: 5000376-4401-0006 / 117052
File ref.:

Ausweis-Nr. 40027141 Blatt 1
Certificate No. Page

Weitere Bedingungen siehe Rückseite und Folgeblätter /
further conditions see overleaf and following pages

Offenbach, 2009-04-21

<http://www.vde.com/zertifikat>
<http://www.vde.com/certificate>

Name und Sitz des Genehmigungs-Inhabers / *Name and registered seat of the Certificate holder*

Zhe Jiang Bei Er Jia Electronic Co., Ltd., No. 7 Songhu Road, Songhu Industrial Zone, 325600
Yueqing City, Wenzhou City, Zhejiang, CHINA

Aktenzeichen / *File ref.*

5000376-4401-0006 / 117052 / FG31 / LF

Datum / *Date*

2009-04-21

Dieses Blatt gilt nur in Verbindung mit Blatt 1 des Zeichengenehmigungsausweises Nr. 40027141.

This supplement is only valid in conjunction with page 1 of the Certificate No. 40027141.

Geräteschalter **Switch for appliances**

Typ(en) / *Type(s)*:

A) PS8A

B) PS8C

Bemessungsspannung

Rated voltage

AC 250 V

Für / *for* A), B)

AC 125 V

Für / *for* A)

Bemessungsstrom

Rated current

6 (4) A

Für / *for* A)

16 (4) A

Für / *for* B)

12 A

Für / *for* A)

Art und Anschluss von
Schaltern

*Type and connection of
switches*

Wippenschalter, Kode 1.2

Rocker switch, Code 1.2

Abschaltung

Disconnection

normale Abschaltung

normal disconnection

Schaltzyklen

Number of operating cycles

10E3

Umgebungs-Lufttemperatur

Ambient air temperature

T 105/55

Art der Montage

Method of mounting

zum Einbau in Geräte der Schutzklasse II

incorporation in class II equipment

Art der Betätigung

Method of actuating

direkte Betätigung

direct actuating

Fortsetzung siehe Blatt 3 /

continued on page 3

Name und Sitz des Genehmigungs-Inhabers / *Name and registered seat of the Certificate holder*

Zhe Jiang Bei Er Jia Electronic Co., Ltd., No. 7 Songhu Road, Songhu Industrial Zone, 325600
Yueqing City, Wenzhou City, Zhejiang, CHINA

Aktenzeichen / *File ref.*

5000376-4401-0006 / 117052 / FG31 / LF

Datum / *Date*

2009-04-21

Dieses Blatt gilt nur in Verbindung mit Blatt 1 des Zeichengenehmigungsausweises Nr. 40027141.

This supplement is only valid in conjunction with page 1 of the Certificate No. 40027141.

Schutzgrad durch Gehäuse <i>Degree of protect. provided by enclosure</i>	IP 20 nach entsprechendem Einbau <i>IP 20 after appropriate incorporation</i>
Schalter der Kategorie <i>Switch category</i>	3
Glühdrahtprüfung (GWT) <i>Glow-wire test (GWT)</i>	850°C
Kriechstromfestigkeit <i>Tracking resistance</i>	250 V
Anschluss <i>Type of terminal</i>	Lötanschluss <i>solder terminals</i> Für / <i>for</i> A) Flachstecker 6,3 x 0,8 mm <i>tabs 6,3 x 0,8 mm</i> Für / <i>for</i> B)
Überspannungskategorie <i>Overvoltage category</i>	II
Verschmutzungsgrad <i>Degree of pollution</i>	1, nur geeignet für Einbau in Umgebungsbedingungen mit Verschmutzungsgrad 1 <i>1, only suitable for incorporation in ambient conditions with degree of pollution 1</i>
Werkstoffgruppe <i>Material group</i>	IIIa
Weitere Angaben siehe Anlage <i>Further information see appendix</i>	1

Fortsetzung siehe Blatt 4 /
continued on page 4