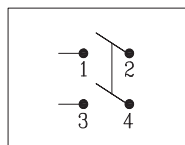


- 1、FUNCTION: OFF-ON
OFF-ON
- 2、RATING: UL: 16A 250VAC 1/4HP 20A 125VAC 1/4HP 250VAC 3/4HP
ENEC VDE/CQC: 16(4)A 250VAC T105

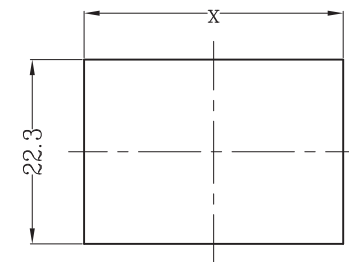
- 3、OPERATION FORCE: 650±350g.f
- 4、CONTACT RESISTANCE: ~~10~~ mΩ
- 5、INSULATION RESISTANCE: ~~100~~ MΩ
- 6、DIELECTRIC WITHSTAND VOLTAGE: ~~3000~~ VAC/5mA/1MIN TUE
TERMINAL TO BUTTON 3000VAC/5mA/1MIN TUE
TERMINAL TO TERMINAL 1500VAC/5mA/1MIN TUE

7、CIRCUIT DIAGRAM:

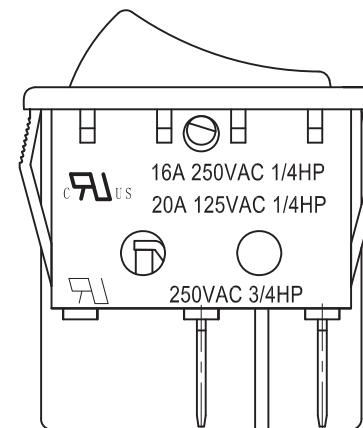
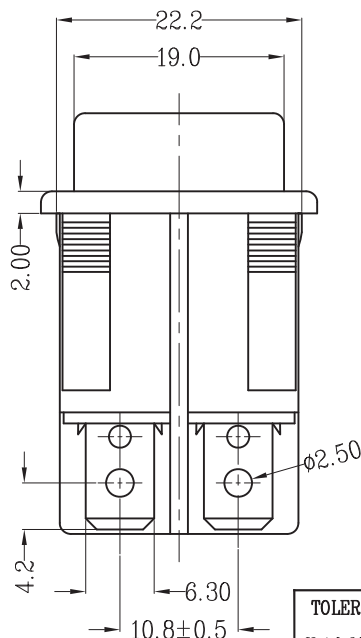


8. SUGGESTED PANEL HOLE SIZE:

PANEL THICKNESS	DIM. X
0.75~1.25	30.1/30.0
1.25~2.0	30.3/30.2
2.0~3.0	30.6/30.5



PANEL CUT-OUT



TOLERANCE UNLESS SPECIFIED				
.X ±0.30 .XX ±0.15 ANGULAR: ±3.0°				
PROJECTION:				
ISSUE	DATE	DESCRIPTIONS OF REVISION		APPD.
V4.0				
TITLE: ROCKER SWITCH		UNIT: mm	SCALE: NOT SCALE	DRWG NO.: BEJ-FH-W0096
MODEL: PS8C-5-B1B3-5H-10		FUNCTION: OFF-ON OFF-ON		DWN. 黎杰 2014-06-07
				CHK'D. 冯辉 2014-06-07
				APPD. 谭云峰 2014-06-07

东莞市涪程电子科技有限公司