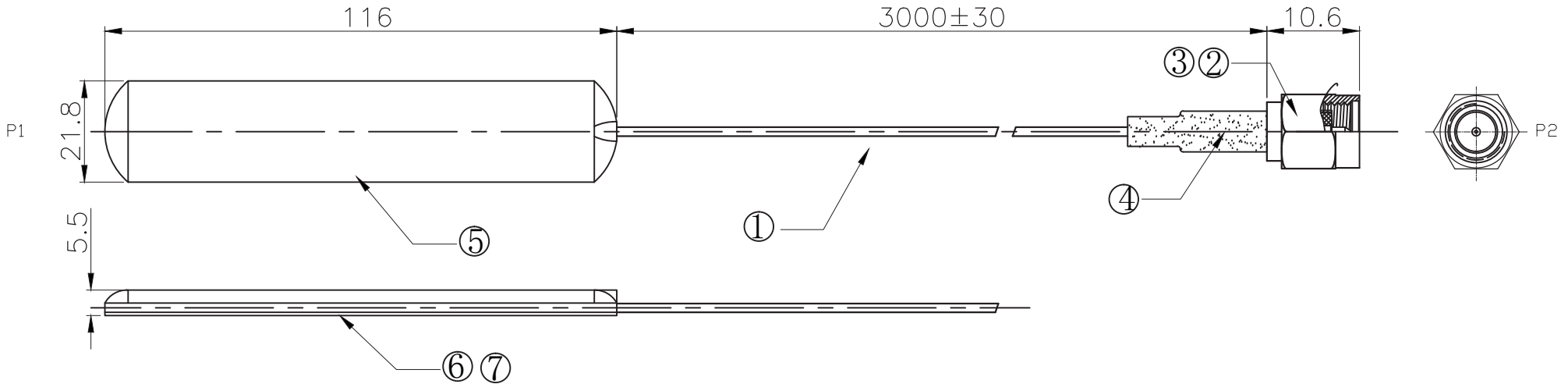


REV.	ECN NO.	LOCAS.	DESCRIPTION	DATE	DESIGN
A0			FIRST RELEASE	2019.04.30	Mark



Note:

1. cable length: 3 M (RG174);
2. frequency range: 824-1990MHz&1710-2170MHz, 2300-2690MHz;
3. connector: SMA (M);
4. nominal impedance : 50 ohms;
5. VSWR: < 3.0;
6. radiation pattern: omnidirectional;
7. antenna height: 25 to 65 cm;
8. antenna gain: +2.5 to 5 dBi min (peak);
9. polarization: vertical;
10. operating temperature: -30° C to +90° C;
11. ROHS compliant;

7	2YP036	L106W20*T0.8mm,正面黑油阻焊漆	1PCS
6	3M贴纸(无字)	L115*W21.50*H1.0,背面是黄色胶纸(3M adhesive to the back)	1PCS
5	2SBKG1900	贴片天线外壳, L116.0*W21.8*H4.3mm,ABS,黑色	1PCS
4	2TA035BK1-015	OD:3.5*L15.0mm,无卤阻燃,125H2普通型,黑色	1PCS
3	2LC15PM623-5	SMA 公针OD:1.5*L8.3mm,镀金2u"	1PCS
2	2LC15PM623-2	SMA 公头 FOR RG316 H8.0*L16.5*OD2.70	1PCS
1	2C5R17414BK1	RG174(64编铜纯铜)黑色, L=1080mm	1PCS
NO	ITLM	DESCRIPTION	Q'TY

DIM	TOL	DIM	TOL
X.	±0.50	X'	±4.0'
X.X	±0.30	X.X'	±3.0'
X.XX	±0.20	X.XX'	±2.0'
X.XXX	±0.10	X.XXX'	±1.0'

COPLIANCE WITH THE REQUIEMENT RoHS HF SONY00259 OTHER
 * NO USING RESTRICTED AND BANNED SUBSTANCE

东莞市涪程电子科技有限公司

DRAW NO.	DATE	DRAW NAME: 4G/GPRS 贴片天线	
DESIGN: Mark	2019.04.30	RG174黑色线, 焊SMA公头公针+贴片天线 L=3000mm	
CHECK:		FILE:	P/N NO. RF1904042
APPROVED:		MODEL:	UNIT: mm SHEET: N/A
		REV. A1 SCALE N/A	