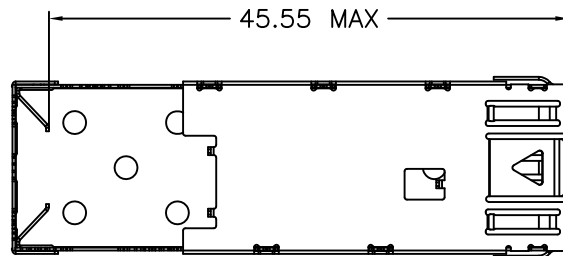
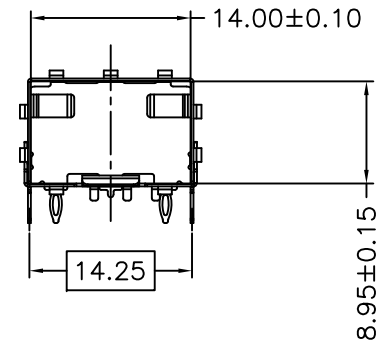
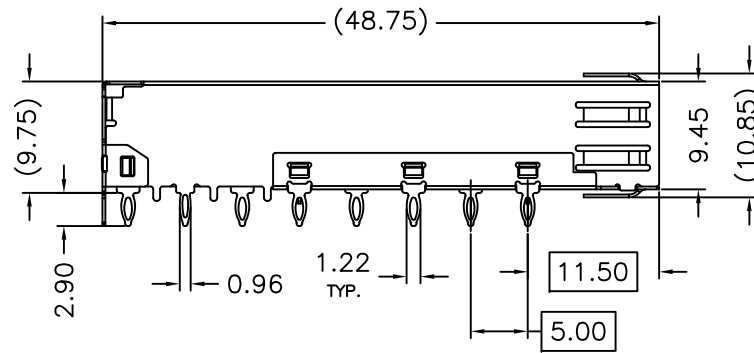
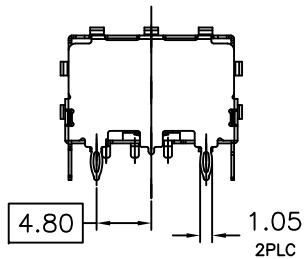
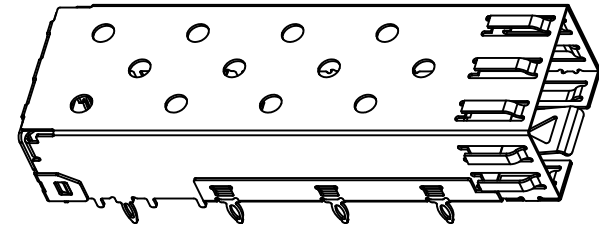
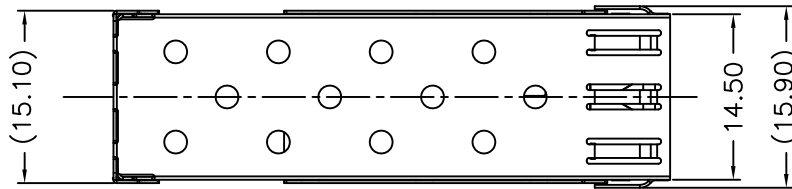




REV	ECN	LOCATIONS	DESCRIPTION	DATE	DESIGN	APVD
A	120604		PRODUCTION	2012.06.04	陈佐君	

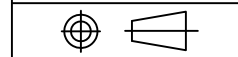


NOTES:

- 1.MATERIAL: NICKEL SILVER, THICKNESS 0.25mm
- 2.PACKAGING: TRAY PACKAGING
- 3.TEMPERATURE RANGE: -55°C TO +85°C

RoHS COMPLIANT

DIMENSIONS ARE IN INCHES TOLERANCES UNLESS OTHERWISE SPECIFIED:	
X	++
X.X	0.20
X.XX	0.10
X.XXX	
ANGLES	--



MATERIAL&FINISH: SEE NOTES

APPROVALS	NAME	DATE
DESIGNED	陈佐君	2012.06.04
CHECKED		
APPROVED		

PROPRIETARY AND CONFIDENTIAL
THE INFORMATION CONTAINED IN THIS
DRAWING IS THE SOLE PROPERTY OF
<YAER ELECTRONICS>. ANY REPRODUCTION
IN PART OR AS A WHOLE WITHOUT THE
WRITTEN PERMISSION OF
<YAER ELECTRONICS> IS PROHIBITED.

DO NOT SCALE DRAWING

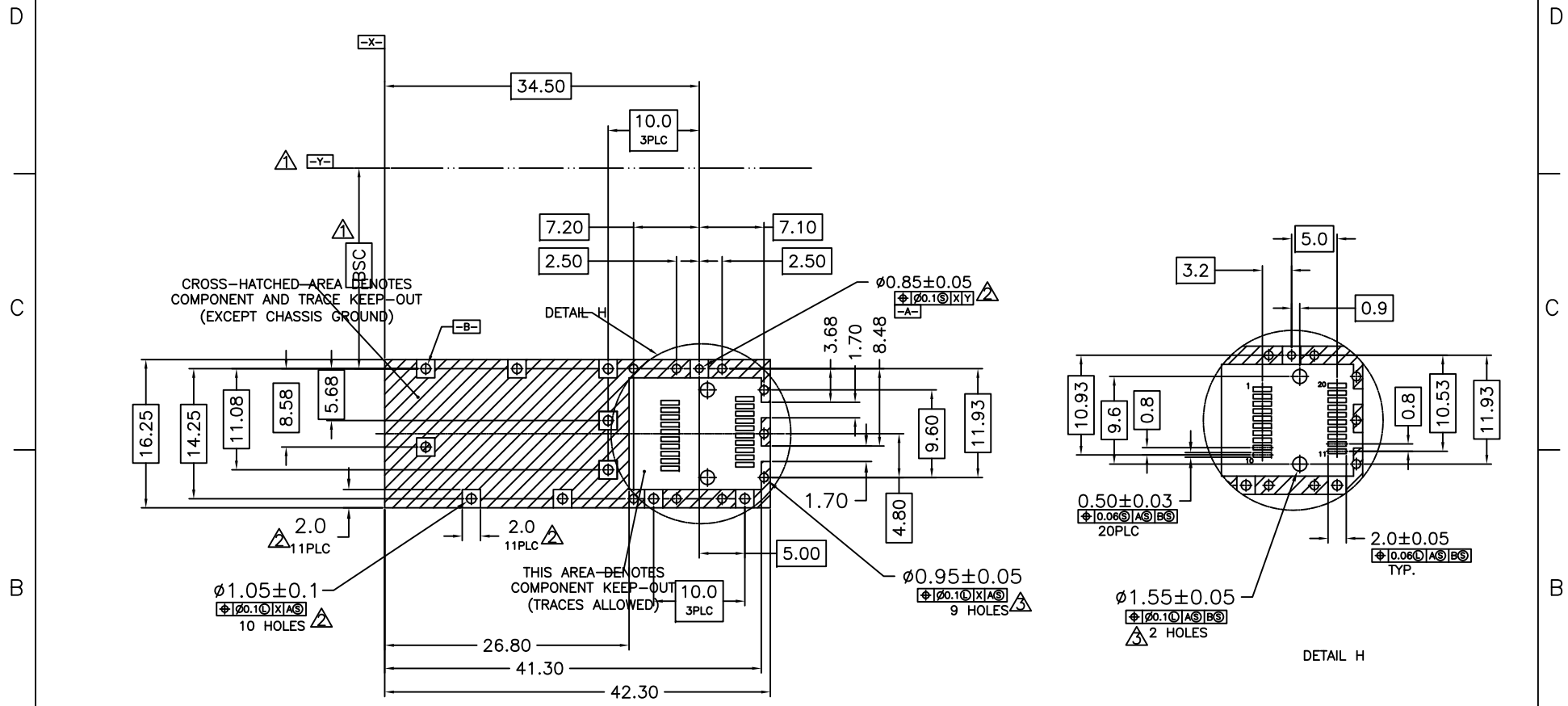
东莞市涪程电子科技有限公司
DONG GUAN FU CHENG ELECTRONIC TECHNOLOGY Co., LTD

TITLE
SFP 1X1 CAGE ASSEMBLY
WITH GROUNDING PIN PRESS-FIT

SIZE
A
DWG. NO.
E71-A100-0010
REV.
A

SCALE: 1:1
CUSTOMER DRAWING
SHEET 1 OF 3

REV	ECN	LOCATIONS	DESCRIPTION	DATE	DESIGN	APVD
A	120604		PRODUCTION	2012.06.04	陈佐君	



ECOMMENDED PCB CONFIGURATION

NOTES:

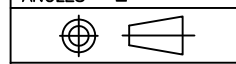
- △ 1. DATUM AND BASIC DIMENSIONS ESTABLISHED BY CUSTOMER
- △ 2. PADS AND VIAS ARE CHASSIS GROUND, 11 PLACES
- △ 3. THRU HOLES, PLATING OPTIONAL

DIMENSIONS ARE IN INCHES TOLERANCES UNLESS OTHERWISE SPECIFIED:	
X	±
X.X	± 0.20
X.XX	± 0.10
X.XXX	±
ANGLES	±

APPROVALS	NAME	DATE
DESIGNED	陈佐君	2012.06.04
CHECKED		
APPROVED		

东莞市涪程电子科技有限公司
DONG GUAN FU CHENG ELECTRONIC TECHNOLOGY Co., LTD

TITLE
SFP 1X1 CAGE ASSEMBLY
WITH GROUNDING PIN PRESS-FIT



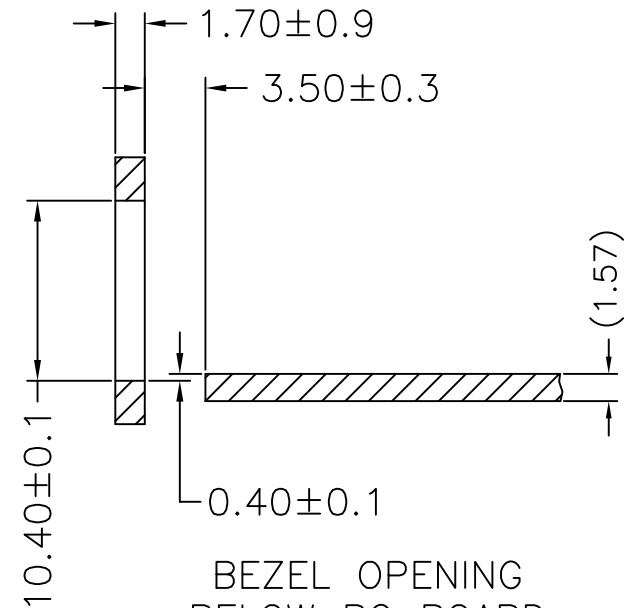
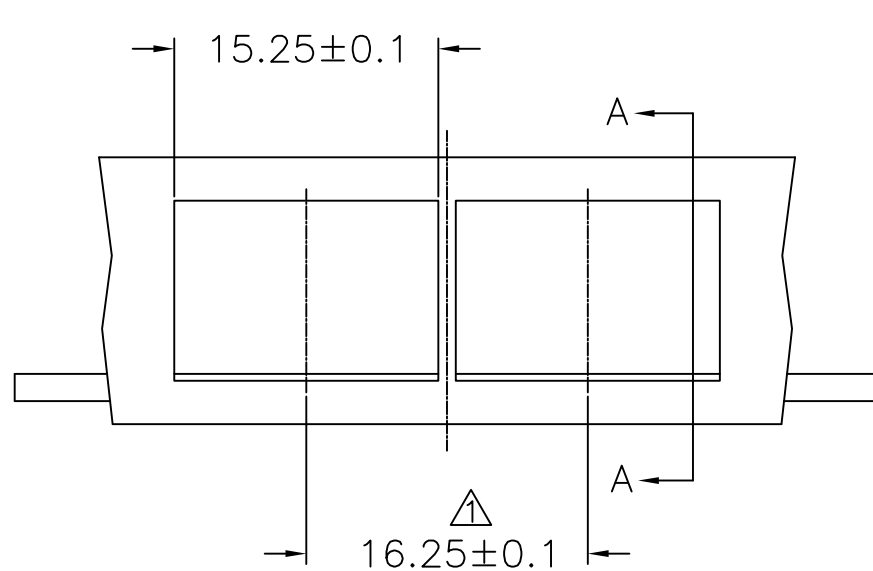
MATERIAL & FINISH: SEE NOTES

PROPRIETARY AND CONFIDENTIAL
THE INFORMATION CONTAINED IN THIS
DRAWING IS THE SOLE PROPERTY OF
<YAER ELECTRONICS>. ANY REPRODUCTION
IN PART OR AS A WHOLE WITHOUT THE
WRITTEN PERMISSION OF
<YAER ELECTRONICS> IS PROHIBITED.

SIZE A	DWG. NO. E71-A100-0010	REV. A
-----------	---------------------------	-----------

DO NOT SCALE DRAWING SCALE: 1:1 CUSTOMER DRAWING SHEET 2 OF 3

REV	ECN	LOCATIONS	DESCRIPTION	DATE	DESIGN	APVD
A	120604		PRODUCTION	2012.06.04	陈佐君	



BEZEL OPENING
BELOW PC BOARD

SECTION A-A

RECOMMENDED BEZEL DESIGN

NOTES:

△1: MINIMUM PITCH ILLUSTRATED, ENGLISH DIMENSIONS ARE FOR REFERENCE ONLY

DIMENSIONS ARE IN INCHES TOLERANCES UNLESS OTHERWISE SPECIFIED: X ± .10 X.X ± .020 X.XX ± .010 X.XXX ± .005 ANGLES ± .10	APPROVALS	NAME	DATE	东莞市浚程电子科技有限公司 DONG GUAN FU CHENG ELECTRONIC TECHNOLOGY Co., LTD
	DESIGNED	陈佐君	2012.06.04	
	CHECKED			TITLE SFP 1X1 CAGE ASSEMBLY WITH GROUNDING PIN PRESS-FIT
	APPROVED			
	PROPRIETARY AND CONFIDENTIAL THE INFORMATION CONTAINED IN THIS DRAWING IS THE SOLE PROPERTY OF <YAEER ELECTRONICS>. ANY REPRODUCTION IN PART OR AS A WHOLE WITHOUT THE WRITTEN PERMISSION OF <YAEER ELECTRONICS> IS PROHIBITED.			SIZE
MATERIAL&FINISH: SEE NOTES	DO NOT SCALE DRAWING		SCALE: 1:1	DWG. NO. E71-A100-0010
			CUSTOMER DRAWING	REV. A
			SHEET 3 OF 3	