

NOTES:

1. MATERIAL

HOUSING: HIGH TEMPERATURE LCP, UL94 V-0.

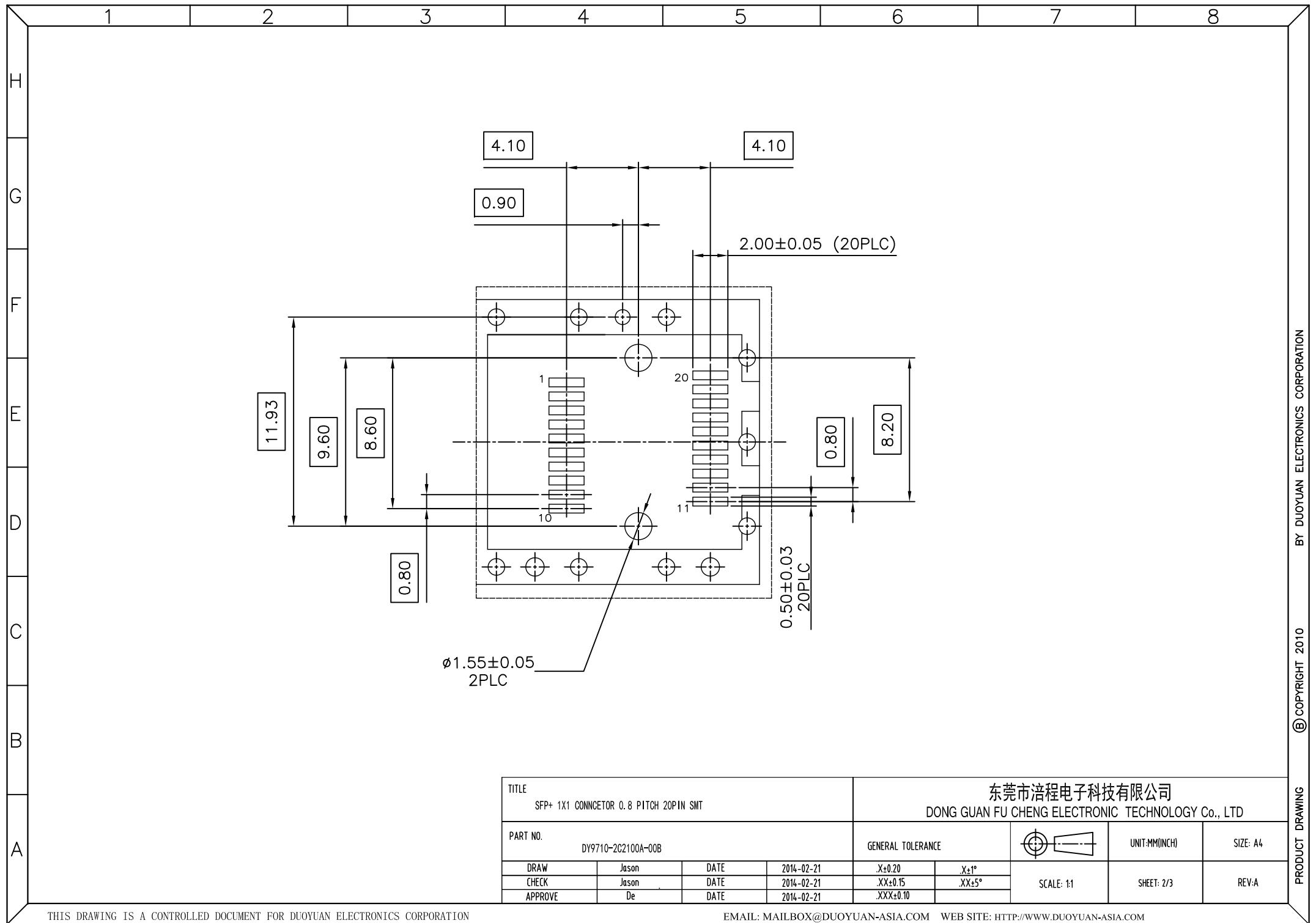
2. CONTACTS: PHOSPHOR BRONZE

PLATING : 15  $\mu$ " GOLD ON MATING AREA,  
100  $\mu$ " MATTE TIN PLATING ON  
SOLDER TAILS, 50  $\mu$ " NICKEL  
UNDERPLATING OVERALL.

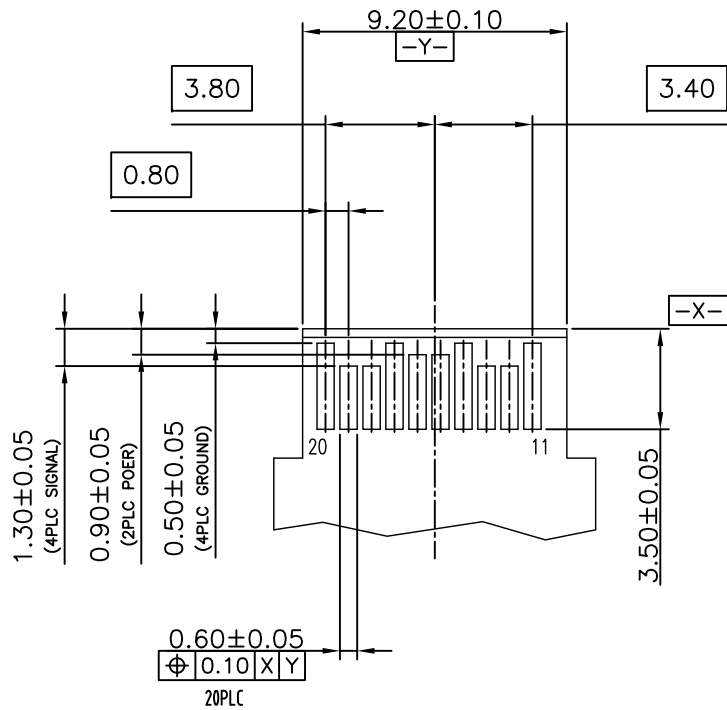
3. PACKAGING: TAPE AND REEL

4. TEMPERATURE RANGE: -55° C TO +85° C

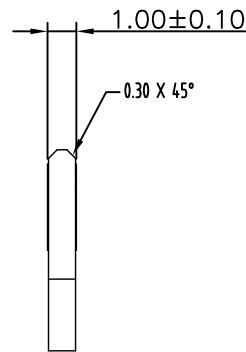
TITLE				东莞市涪程电子科技有限公司 DONG GUAN FU CHENG ELECTRONIC TECHNOLOGY Co., LTD				
SFP+ 1X1 CONNCTOR 0.8 PITCH 20PIN SMT				GENERAL TOLERANCE			UNIT:MM(INCH)	SIZE: A4
PART NO.						SCALE: 1:1	SHEET: 1/3	REV-A
DY9710-202100A-00B								
DRAW	Jason	DATE	2014-02-21	.X±0.20	.X±1°			
CHECK	Jason	DATE	2014-02-21	.XX±0.15	.XX±5°			
APPROVE	De	DATE	2014-02-21	.XXX±0.10				



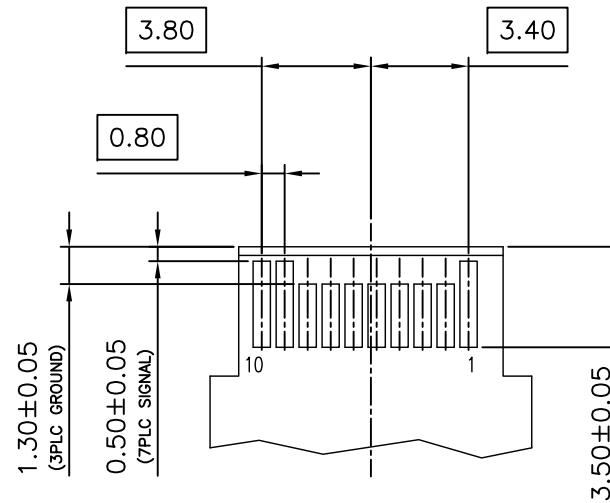
TITLE				东莞市浚程电子科技有限公司				
SFP+ 1X1 CONNCTOR 0.8 PITCH 20PIN SMT				DONG GUAN FU CHENG ELECTRONIC TECHNOLOGY Co., LTD				
PART NO.				GENERAL TOLERANCE			UNIT:MM(INCH)	SIZE: A4
DY9710-202100A-00B								
DRAW	Jason	DATE	2014-02-21	X±0.20	X±1°	SCALE: 1:1	SHEET: 2/3	REV:A
CHECK	Jason	DATE	2014-02-21	XX±0.15	.XX±5°			
APPROVE	De	DATE	2014-02-21	XXX±0.10				



TOP VIEW OF BOARD



RECOMMENDED LAYOUT DETAIL MATING TRANSCEIVER PCB



BOTTOM VIEW OF BOARD

TITLE SFP+ 1X1 CONNCTOR 0.8 PITCH 20PIN SMT				东莞市涪程电子科技有限公司 DONG GUAN FU CHENG ELECTRONIC TECHNOLOGY Co., LTD			
PART NO. DY9710-2C2100A-00B				GENERAL TOLERANCE			UNIT:MM(INCH)
DRAW	Jason	DATE	2014-02-21	.X±0.20	X±1°	SCALE: 1:1	SHEET: 3/3
CHECK	Jason	DATE	2014-02-21	.XX±0.15	.XX±5°		
APPROVE	De	DATE	2014-02-21	.XXX±0.10			
							SIZE: A4
							REV:A