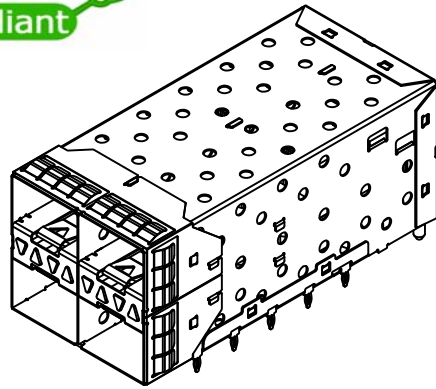
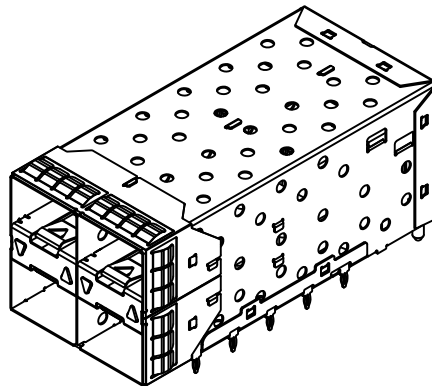




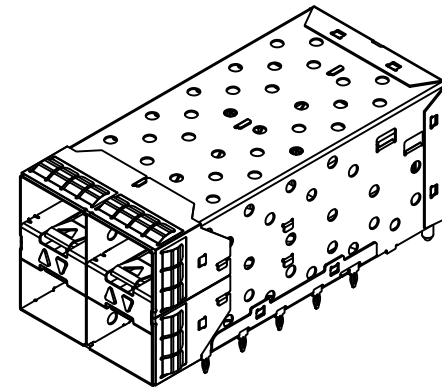
REV	ECN	LOCATIONS	DESCRIPTION	DATE	DESIGN	APVD
A	131031		PRODUCTION	2013.10.31	陈佐君	



(4 LIGHT PIPE)
E90-K210-4004



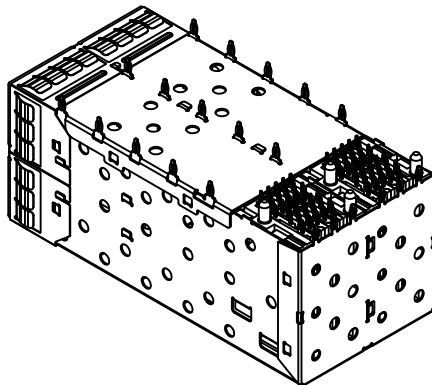
(2 OUTER LIGHT PIPE)
E90-K210-4002



(2 INNER LIGHT PIPE)
E90-K210-4003

PART NUMBER CONFIGURATION
E90-K210-400X

- LIGHT PIPE OPTION
- 1 = 4 LIGHT PIPE
 - 2 = 2 OUTER LIGHT PIPE
 - 3 = 2 INNER LIGHT PIPE



NOTES:

MATERIAL:
CAGE: NICKEL SILVER

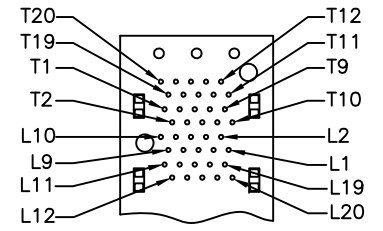
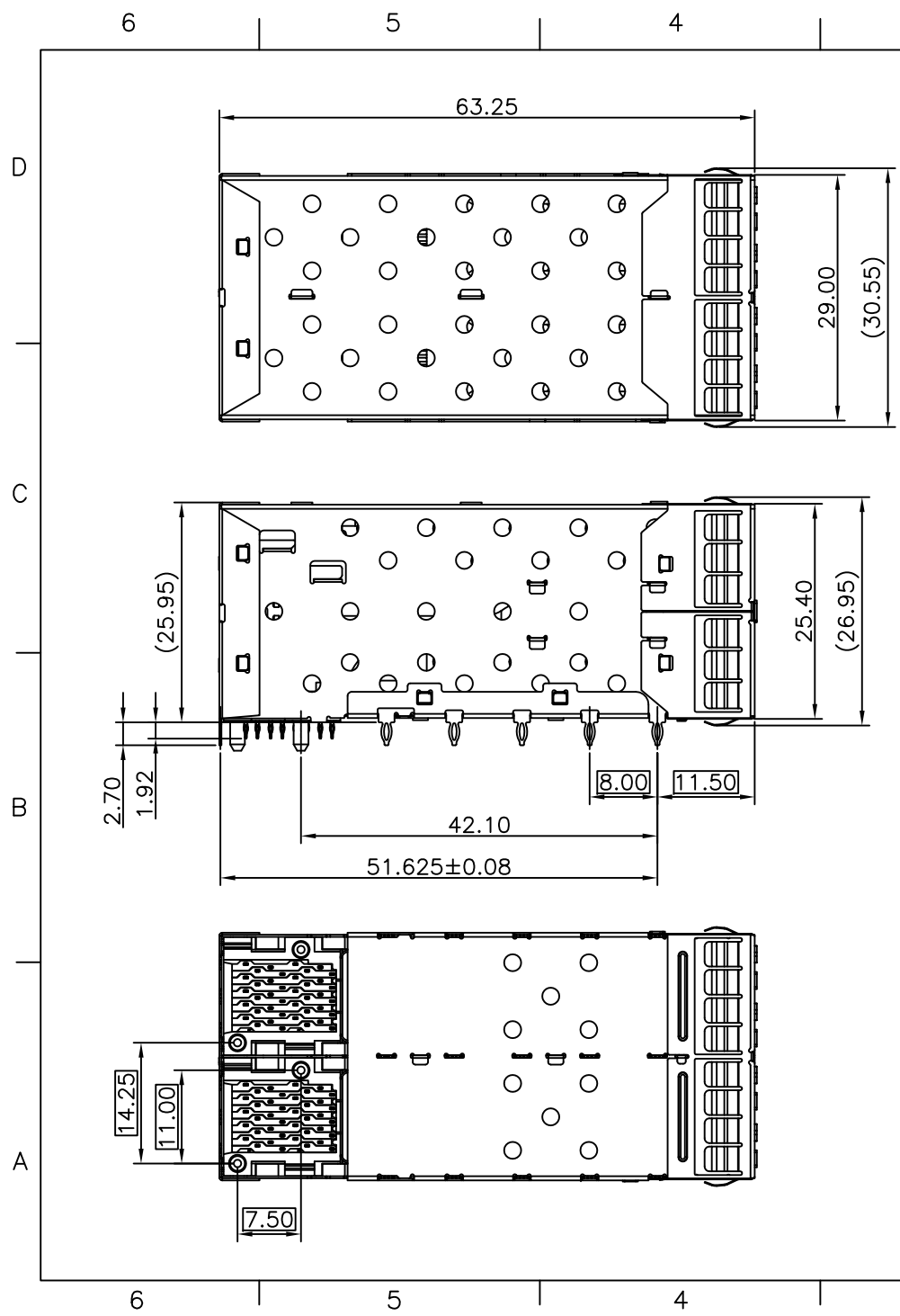
CONNECTOR:
PLASTIC HOUSING: HIGH TEMPERATURE LCP, UL94 V-0.
LIGHT PIPE: POLYCARBONATE; COLOR: CLEAR
SPRING: STAINLESS STEEL
CONTACTS: PHOSPHOR BRONZE
CONTACT PLATING: 15u" MIN. GOLD ON MATING AREA,
150u" MATTE TIN ON SOLDER TAILS

PACKAGING: TRAY PACKAGING.

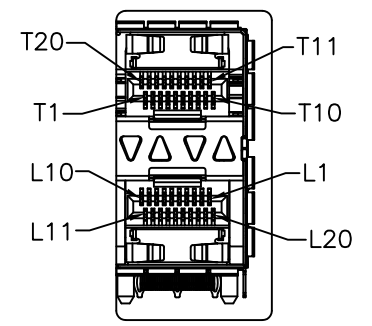
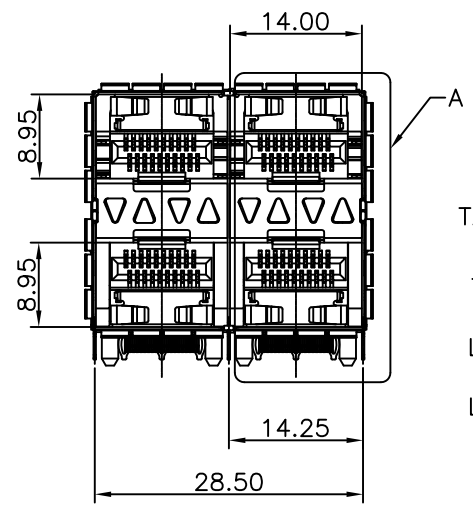
TEMPERATURE RANGE: -40°C TO +85°C

DIMENSIONS ARE IN INCHES TOLERANCES UNLESS OTHERWISE SPECIFIED: X ± X.X ± 0.10 X.XX ± 0.05 X.XXX ± ANGLES ± 1°	APPROVALS	NAME	DATE	东莞市涪程电子科技有限公司 DONG GUAN FU CHENG ELECTRONIC TECHNOLOGY Co., LTD TITLE: SFP+ 2X2 COMBO WITH LIGHT PIPE WITHOUT GROUNDING PIN
	DESIGNED	陈佐君	2013.10.31	
	CHECKED			PROPRIETARY AND CONFIDENTIAL THE INFORMATION CONTAINED IN THIS DRAWING IS THE SOLE PROPERTY OF <YAER ELECTRONICS>. ANY REPRODUCTION IN PART OR AS A WHOLE WITHOUT THE WRITTEN PERMISSION OF <YAER ELECTRONICS> IS PROHIBITED.
	APPROVED			
MATERIAL&FINISH: SEE NOTES	DO NOT SCALE DRAWING	SCALE: 1:1	CUSTOMER DRAWING	SIZE A DWG. NO. E90-K210-400X REV. A SHEET 1 OF 4

REV	ECN	LOCATIONS	DESCRIPTION	DATE	DESIGN	APVD
A	131031		PRODUCTION	2013.10.31	陈佐君	



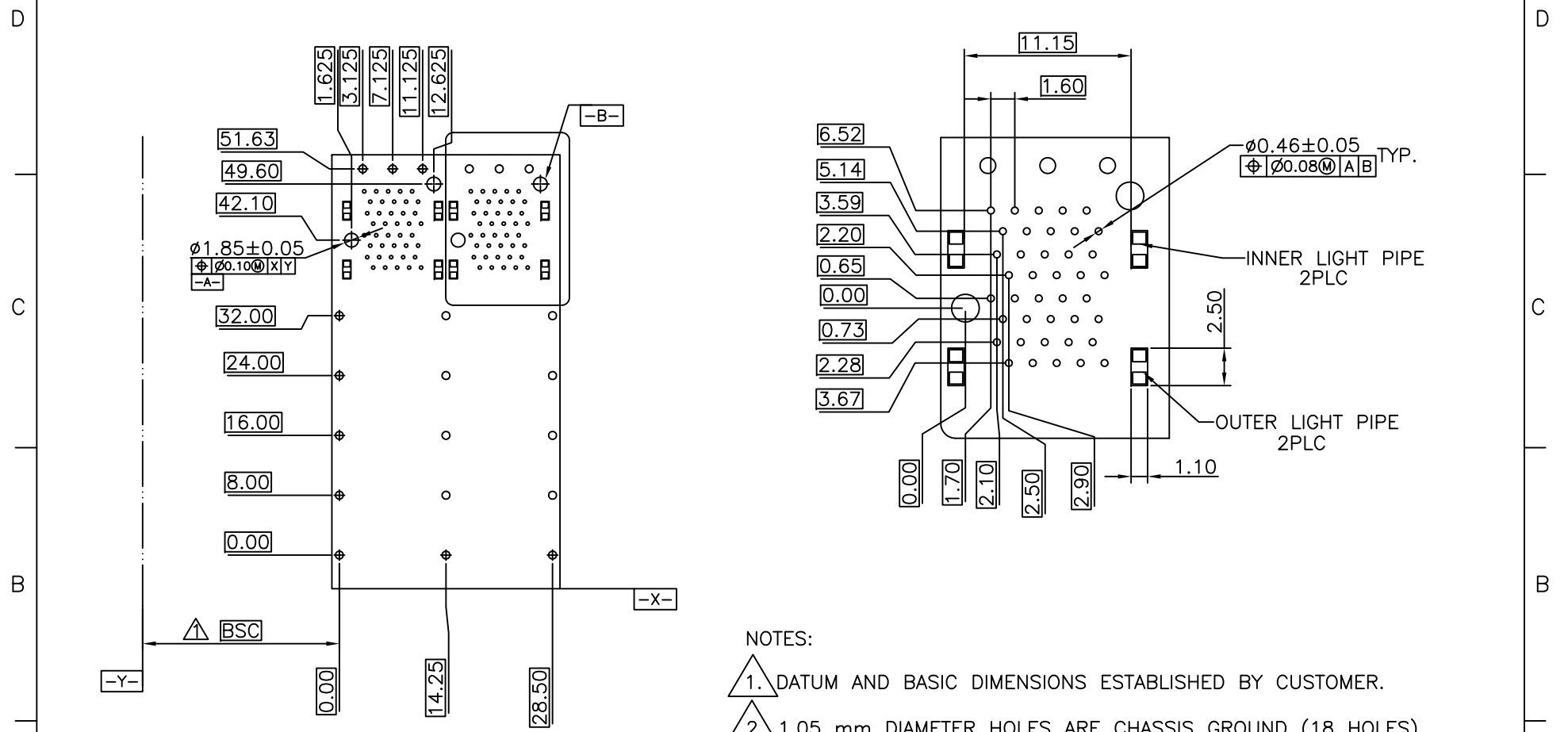
CONNECTOR PIN-OUT
COMPONENT SIDE OF BOARD



DETAIL A
1:1

DIMENSIONS ARE IN INCHES TOLERANCES UNLESS OTHERWISE SPECIFIED: X ± 0.10 X.X ± 0.05 X.XXX ± 0.01 ANGLES ± 1°	APPROVALS	NAME	DATE	东莞市浚程电子科技有限公司 DONG GUAN FU CHENG ELECTRONIC TECHNOLOGY Co., LTD TITLE: SFP+ 2X2 COMBO WITH LIGHT PIPE WITHOUT GROUNDING PIN SIZE A DWG. NO. E90-K210-400X SCALE: 1:1 CUSTOMER DRAWING
	DESIGNED	陈佐君	2013.10.31	
	CHECKED			
	APPROVED			
PROPRIETARY AND CONFIDENTIAL THE INFORMATION CONTAINED IN THIS DRAWING IS THE SOLE PROPERTY OF <YAER ELECTRONICS>. ANY REPRODUCTION IN PART OR AS A WHOLE WITHOUT THE WRITTEN PERMISSION OF <YAER ELECTRONICS> IS PROHIBITED.				REV. A
MATERIAL&FINISH: SEE NOTES DO NOT SCALE DRAWING				SHEET 2 OF 4

REV	ECN	LOCATIONS	DESCRIPTION	DATE	DESIGN	APVD
A	131031		PRODUCTION	2013.10.31	陈佐君	



ECOMMENDED PCB CONFIGURATION

NOTES:

1. DATUM AND BASIC DIMENSIONS ESTABLISHED BY CUSTOMER.
2. 1.05 mm DIAMETER HOLES ARE CHASSIS GROUND (18 HOLES).

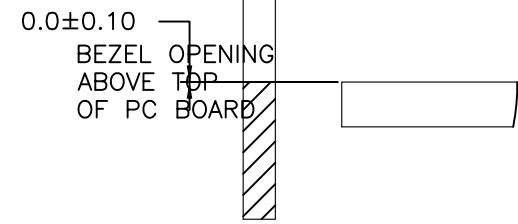
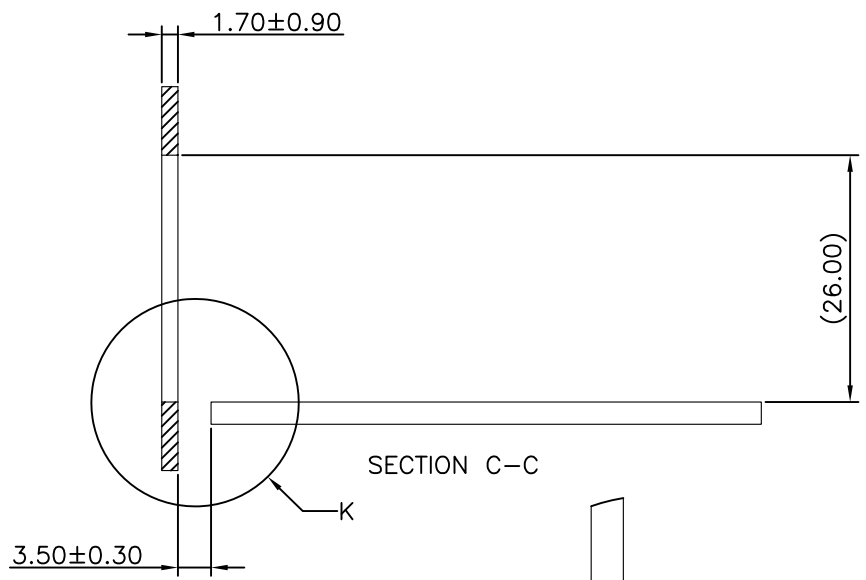
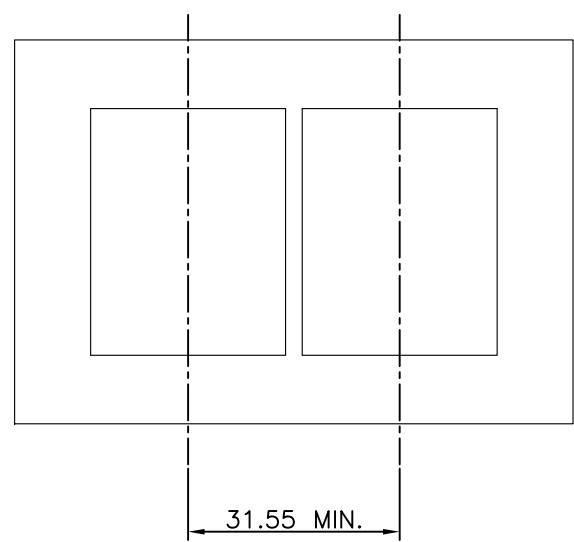
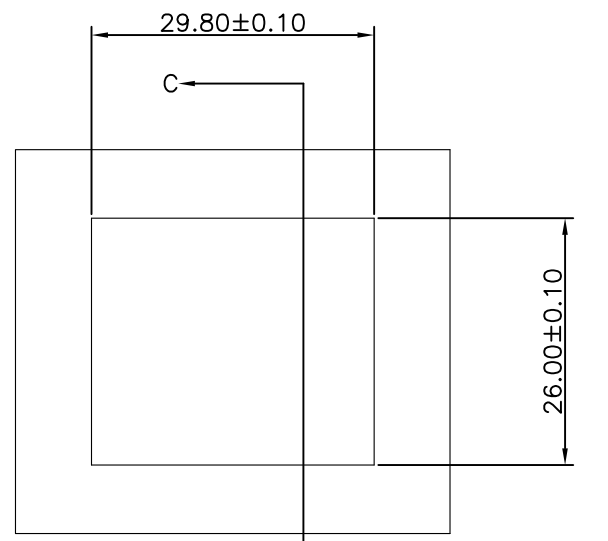
DIMENSIONS ARE IN INCHES TOLERANCES UNLESS OTHERWISE SPECIFIED: X.X ± 0.10 X.XX ± 0.05 X.XXX ± 0.01 ANGLES ± 1°	APPROVALS	NAME	DATE	东莞市浚程电子科技有限公司 DONG GUAN FU CHENG ELECTRONIC TECHNOLOGY Co., LTD TITLE: SFP+ 2X2 COMBO WITH LIGHT PIPEWITHOUT GROUNDING PIN
	DESIGNED	陈佐君	2013.10.31	
	CHECKED			
	APPROVED			
PROPRIETARY AND CONFIDENTIAL THE INFORMATION CONTAINED IN THIS DRAWING IS THE SOLE PROPERTY OF <YAER ELECTRONICS>. ANY REPRODUCTION IN PART OR AS A WHOLE WITHOUT THE WRITTEN PERMISSION OF <YAER ELECTRONICS> IS PROHIBITED.				SIZE
MATERIAL&FINISH: SEE NOTES				A
DO NOT SCALE DRAWING				DWG. NO. E90-K210-400X SCALE: 1:1 CUSTOMER DRAWING
				REV. A SHEET 3 OF 4

6 5 4 3 2 1

REV	ECN	LOCATIONS	DESCRIPTION	DATE	DESIGN	APVD
A	131031		PRODUCTION	2013.10.31	陈佐君	

D
C
B
A

D
C
B
A



RECOMMENDED BEZEL DESIGN

DETAIL K
2:1

DIMENSIONS ARE IN INCHES TOLERANCES UNLESS OTHERWISE SPECIFIED: X ± 0.10 X.X ± 0.05 X.XX ± 0.05 X.XXX ± 0.05 ANGLES ± 1°	APPROVALS	NAME	DATE	东莞市浚程电子科技有限公司 DONG GUAN FU CHENG ELECTRONIC TECHNOLOGY Co., LTD TITLE: SFP+ 2X2 COMBO WITH LIGHT PIPE WITHOUT GROUNDING PIN
	DESIGNED	陈佐君	2013.10.31	
	CHECKED			
	APPROVED			
PROPRIETARY AND CONFIDENTIAL THE INFORMATION CONTAINED IN THIS DRAWING IS THE SOLE PROPERTY OF <YAEER ELECTRONICS>. ANY REPRODUCTION IN PART OR AS A WHOLE WITHOUT THE WRITTEN PERMISSION OF <YAEER ELECTRONICS> IS PROHIBITED.				SIZE
MATERIAL&FINISH: SEE NOTES				DWG. NO. E90-K210-400X REV. A
DO NOT SCALE DRAWING				SCALE: 1:1 CUSTOMER DRAWING SHEET 4 OF 4

6 5 4 3 2 1