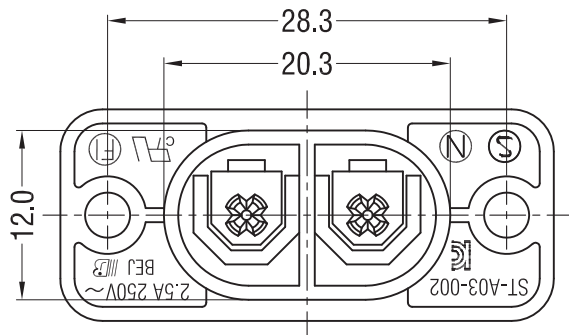
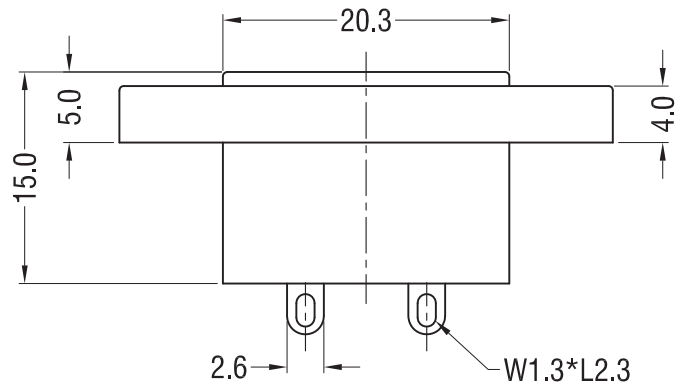


SECTION: A-A



**SPEC:**

**A. Material:**

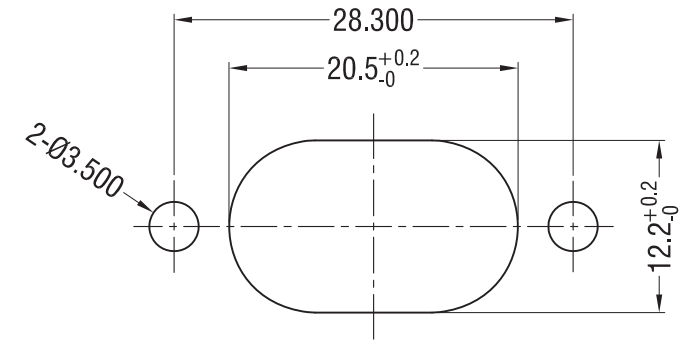
- 1.Housing: PBT
- 2.Terminal: COPPER ALLOY, TIN PLATED

**B.Electrical Characteristics:**

- 1.Rating: 2.5A 250V~  
(UL,CUL,CCC,VDE,SEMKO,NEMKO,FIMKO,DEMKO,KC)
- 2.Electric Strength: AC 2,000 V FOR ONE MINUTE
- 3.Insulation Resistance: 100MΩ MIN, AT 500V DC

**C.Approvals:**

UL, CUL, CCC, VDE, SEMKO, NEMKO, FIMKO, DEMKO, KC



PANLE CUT-OUT

Part NO.	DIM. X
ST-A03-002BS(2.5)	2.5
ST-A03-002BS(3.2)	3.2

东莞市涪程电子科技有限公司			Name:		
			AC INLET 2PIN SOCKET		
Drawing For Customer			Model No.:		
			ST-A03-002		
DESIGNER	CHECKED	APPROVED	Part No.:		
Shirley	Toby	Buddy	SEE ABOVE		
UNIT: mm			File No.:		
			BEJ-ZE-EK-A03-0010		

REV	DATE	DESCRIPTION	ECN NO.
V1.4			
V1.3			
V1.2			
V1.1	2015.06.26	Add Part No.	ECN15008
V1.0	2015.06.22	The drawing format conversion	-----

Common Tolerance  
 DIMENSION: 0.0 ±0.3  
 ANGLE: ±3°  
 0.00 ±0.20  
 0.000 ±0.100  
 VIEW:   
 UNIT: mm