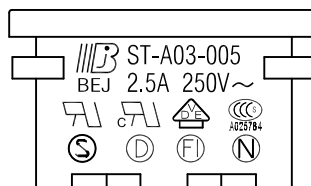
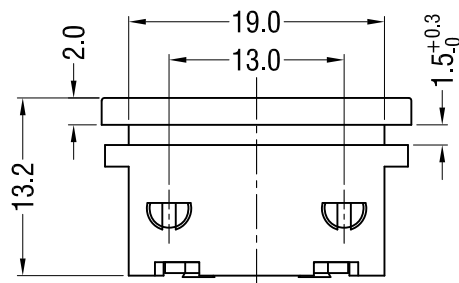
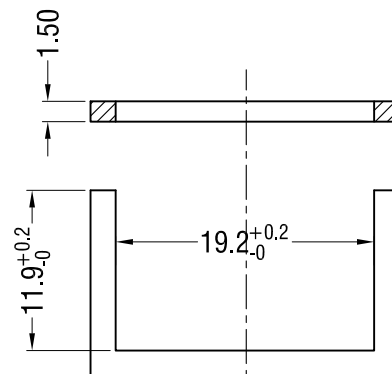


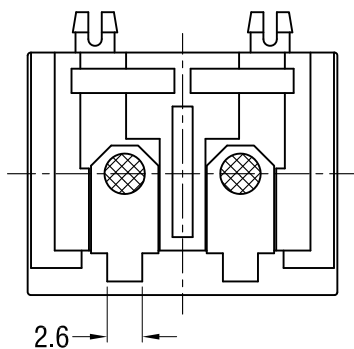
SECTION: A-A



MARK



PANLE CUT-OUT



SPEC:

A. Material:

- 1.Housing: PC
- 2.Terminal: COPPER ALLOY, TIN PLATED

B.Electrical Characteristics:

- 1.Rating: 2.5A 250V~
(UL,CUL,CCC,VDE,SEMKO,NEMKO,FIMKO,DEMKO)
- 2.Electric Strength: AC 2,000 V FOR ONE MINUTE
- 3.Insulation Resistance: 100MΩ MIN, AT 500V DC

C.Approvals:

UL, CUL, CCC, VDE, SEMKO, NEMKO, FIMKO, DEMKO

浙江贝尔佳电子有限公司 BEJ Zhe Jiang BeiErJia Electronic CO.,LTD		Name: AC INLET 2PIN SOCKET	
		Model No.: ST-A03-005	
		Part No.: ST-A03-005I-515-S1	
		File No.: BEJ-ZE-EK-A03-0052	
		Drawing For Customer	
		DESIGNER	CHECKED
		APPROVED	
		Shirley	Toby
		Buddy	

V1.4				Common Tolerance DIMENSION: 0.0 ±0.3 ANGLE: ±3° 0.00 ±0.20 0.000 ±0.100
V1.3				
V1.2				
V1.1				
V1.0	2015.06.22	The drawing format conversion	-----	VIEW:
REV	DATE	DESCRIPTION	ECN NO.	UNIT: mm